



INSTRUCTIONS

J06118

2014-10-01



AUXILIARY POWER STATION

GENERAL

It is **advised** that this kit is installed by an authorized Harley-Davidson dealer.

Kit Number

69201087, 69201102

⚠ WARNING

Rider and passenger safety depend upon the correct installation of this kit. Use the appropriate service manual procedures. If the procedure is not within your capabilities or you do not have the correct tools, have a Harley-Davidson dealer perform the installation. Improper installation of this kit could result in death or serious injury. (00333b)

NOTE

This instruction sheet references service manual information. A service manual for your model motorcycle is required for this installation. One is available from a Harley-Davidson dealer.

Installation Requirements

69201102 Kits: A separate purchase of harness Electrical Connector (H-D Part No. 69200722) is required to connect the accessory circuit connector.

Electrical Overload

⚠ WARNING

Rider and passenger safety depend upon the correct installation of this kit. If the procedure is not within your capabilities or you do not have the correct tools, have a Harley-Davidson dealer perform the installation. Improper installation of this kit could result in death or serious injury. (00308b)

NOTICE

It is possible to overload the vehicle's charging system by adding too many electrical accessories. If the combined electrical accessories operating at any one time consume more electrical current than the vehicle's charging system can produce, the electrical consumption can discharge the battery and cause damage to the vehicle's electrical system. (00211d)

Kit Contents

See Figure 7 and Table 1.

Installation

Vehicle Preparation

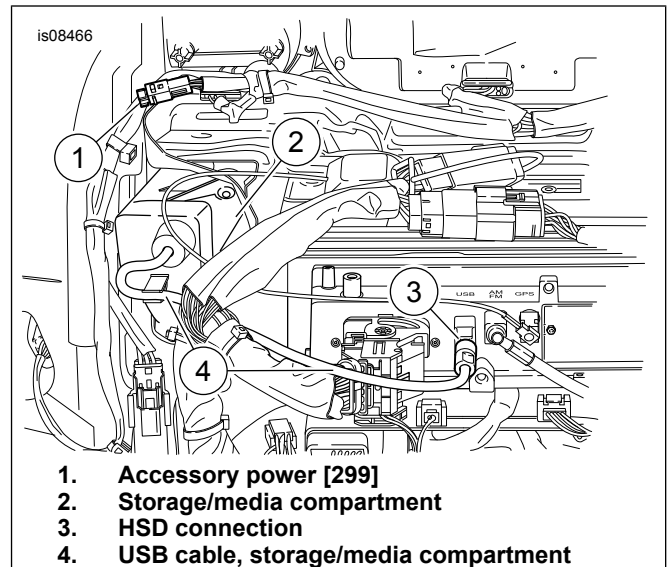
⚠ WARNING

To prevent accidental vehicle start-up, which could cause death or serious injury, remove main fuse before proceeding. (00251b)

1. Remove main fuse. See the service manual.
2. Remove fuel tank. See the service manual.
3. Remove seat. See the service manual.
4. Remove outer fairing. See service manual.

USB Hub Installation FLH Models:

1. See Figure 1. Remove USB cable (4) from HSD connection (3) on back of radio.



1. Accessory power [299]
2. Storage/media compartment
3. HSD connection
4. USB cable, storage/media compartment

Figure 1. USB Hub Wiring Locations

2. See Figure 2. Install power cable (3) to accessory power [299] (1, Figure 1).

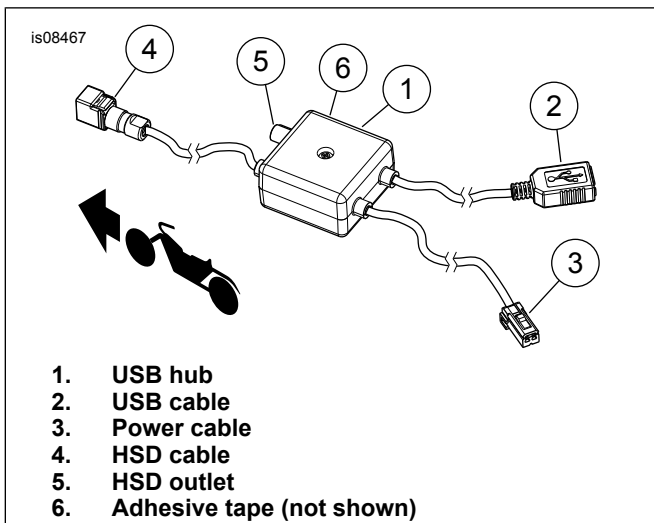


Figure 2. USB Hub Wiring Diagram

3. Install HSD cable (4, Figure 2) to HSD connection (3, Figure 1).
4. Install USB cable (4, Figure 1) to HSD port (5, Figure 2).
5. Position USB hub (2, Figure 3) so it is on the edge of the storage/media compartment (4). As shown. Clean mounting surface with 50-70% isopropyl alcohol and 30-50% distilled water. Allow to dry completely. Remove paper backing from adhesive tape (3). Press and hold firmly to secure USB hub.
6. Route the USB cable (2, Figure 2) along the tray along the frame and over fender into the Tour-Pak or saddlebag. Secure as needed with cable straps.

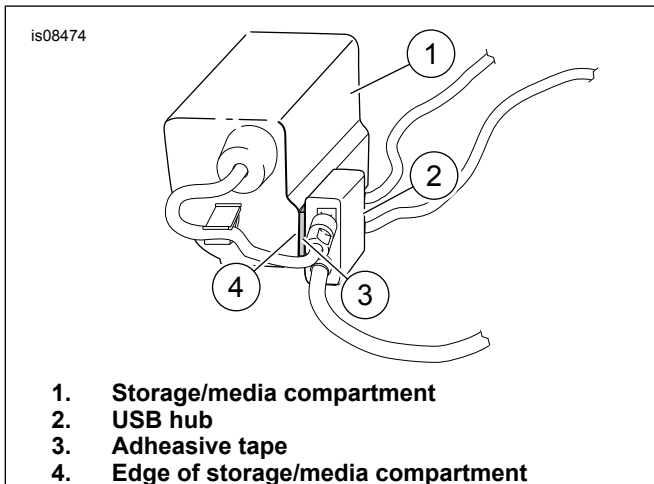


Figure 3. USB Hub Installation

7. Follow the steps for **Tour-Pak Port Installation** or **Saddlebag Port Installation** in this document to complete installation.

USB Hub Installation FLT Models:

1. See Figure 1. Remove USB cable (4) from HSD connection (3) on back of radio.

2. See Figure 4. Install USB cable (4) from media/storage and connect to USB hub (1) as shown.
3. Install HSD cable (3) to radio.
4. Install power cable (6) to power cable (7) [299].
5. Route USB cable (5) to rear of motorcycle.
6. Clean mounting surface with 50-70% isopropyl alcohol and 30-50% distilled water. Allow to dry completely.

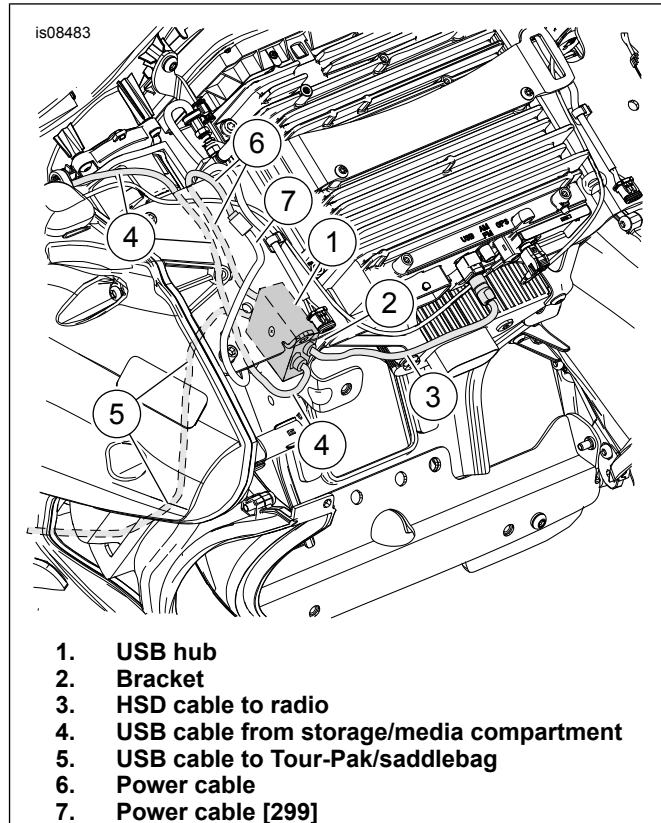


Figure 4. USB Hub Installation and Cable Location

7. Follow the steps for **Tour-Pak Port Installation** or **Saddlebag Port Installation** in this document to complete installation.

Tour-Pak USB/Power Port Installation

1. Remove Tour-Pak bottom or liner, if equipped.
2. Complete the routing of USB cable (2, Figure 2) following the routing of the existing power port wire.
3. See Figure 5. Remove screws (3) and power port, if equipped.
4. Install bracket (7) to USB/power port (6) [299] securing with screws (1) as shown.
5. Install bracket (2) securing with screws (3). Tighten screws to 2.8–4 N·m (25–35 in-lbs).

6. Mate Accessory cable (4) and USB cable (5) to USB/power port.
7. Trim Tour-Pak bottom or liner, if equipped.
8. Install USB cable and power cable into USB/power port. Power cable [258] may be under mounting plate or liner.
9. Coil extra cable. Secure with cable straps.
10. Install Tour-Pak bottom or liner.
11. Install USB/power port to bracket (2) securing with screw (8). Tighten screws to 2.2–2.8 N·m (20–25 **in-lbs**).

- *Select a position for the power port harness to pass through the inboard wall of the saddlebag. Recommended position is as high and as far forward as possible.*
- *Make sure that the power port harness connector will easily reach the mating charger harness connector after passing through the saddlebag wall.*
- *The power port can point in any orientation vertical, horizontal or any angle. Allow room in front of the power port to install the mating connector of any anticipated electronic devices that are used.*
- *Check position of the screw heads and wire pass-through for clearance to all moving components.*

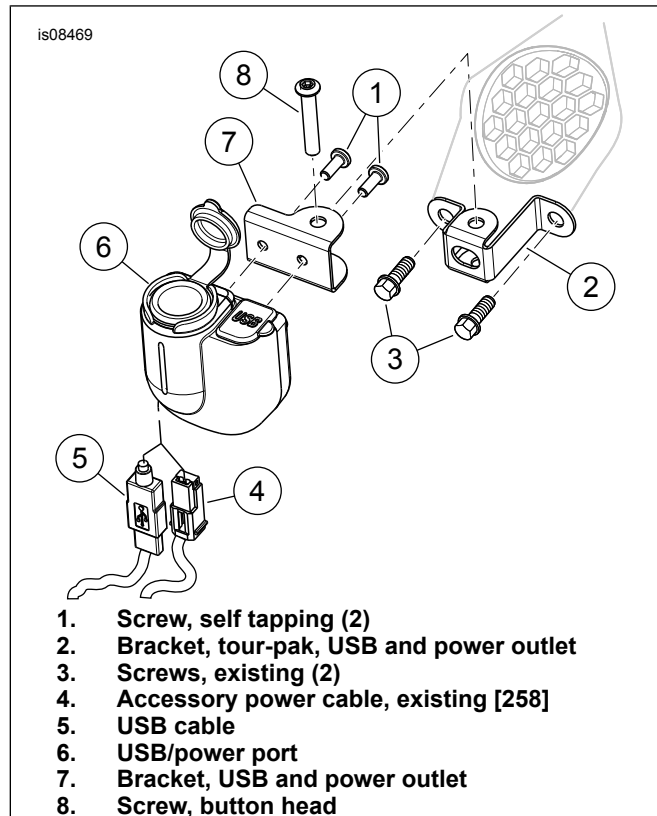


Figure 5. USB/12Volt Port, Tour-Pak

Saddlebag USB/Power Port Installation

1. Install Electrical Connector (H-D Part No. 69200722, 71400105 or 71400106). Follow the instructions for those kits.
2. Remove all items from saddlebag.

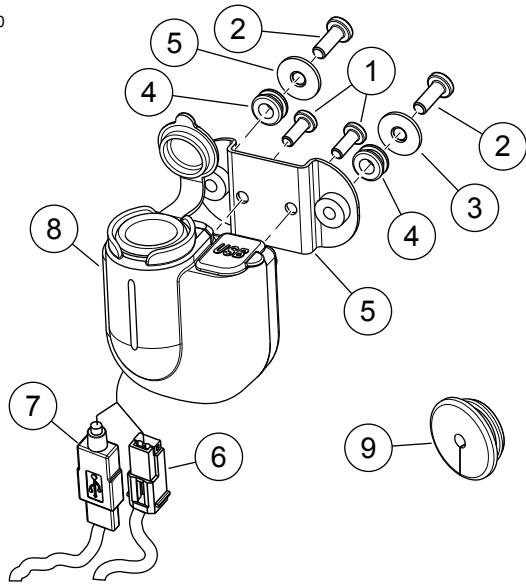
NOTE

Check the following before choosing a mounting spot for the power port:

- *Place connectors where they can be easily accessed for saddlebag removal.*
- *Do not mount the power port housing and bracket on a rib or complex curved surface inside the saddlebag.*

3. Select a flat surface inside the saddlebag, on the inboard wall.
4. Using the bracket (5) as a template, mark the locations for the two mounting holes. Mark the location for the power port pass-through opening with a center punch.
5. See Figure 6. Install bracket (5) to USB/power port (8) securing with screws (1).
6. Drill two 9.5 mm (0.38 in) holes for mounting the power port. Drill a 16 mm (0.62 in) hole in the power port harness pass-through location.
7. Install rubber grommets (4) into each of the 9.5 mm (0.38 in) power port mounting holes drilled in previous Step.
8. Place a washer (3) onto the threads of each screw (2). Insert the screws through the grommets, and place a second washer onto the screw threads.
9. Install the USB/power port (8) to the saddlebag side wall with screws (2). Tighten to 2.8–3.3 N·m (25–30 **in-lbs**)
10. Feed the accessory power cable (6) and USB cable (7) and harness out through the 16 mm (0.62 in) hole in the saddlebag side wall.
11. Install the split grommet (9) with the large end facing the connector. Snap the grommet onto the power port harness outside the saddlebag. Press the grommet into the wire hole.

is08470



1. Screw, self tapping (2)
2. Screw, button head (2)
3. Washer (2)
4. Grommet (2)
5. Bracket, saddlebag, USB/power port
6. Accessory power cable
7. USB cable
8. USB/power port
9. Grommet, split

Figure 6. USB/12V Outlet Saddlebag Installation

12. Install USB cable and power cable into USB/power port.
13. See Figure 7. Install cable (13) to accessory plug. See the service manual.

SERVICE PARTS

is08471

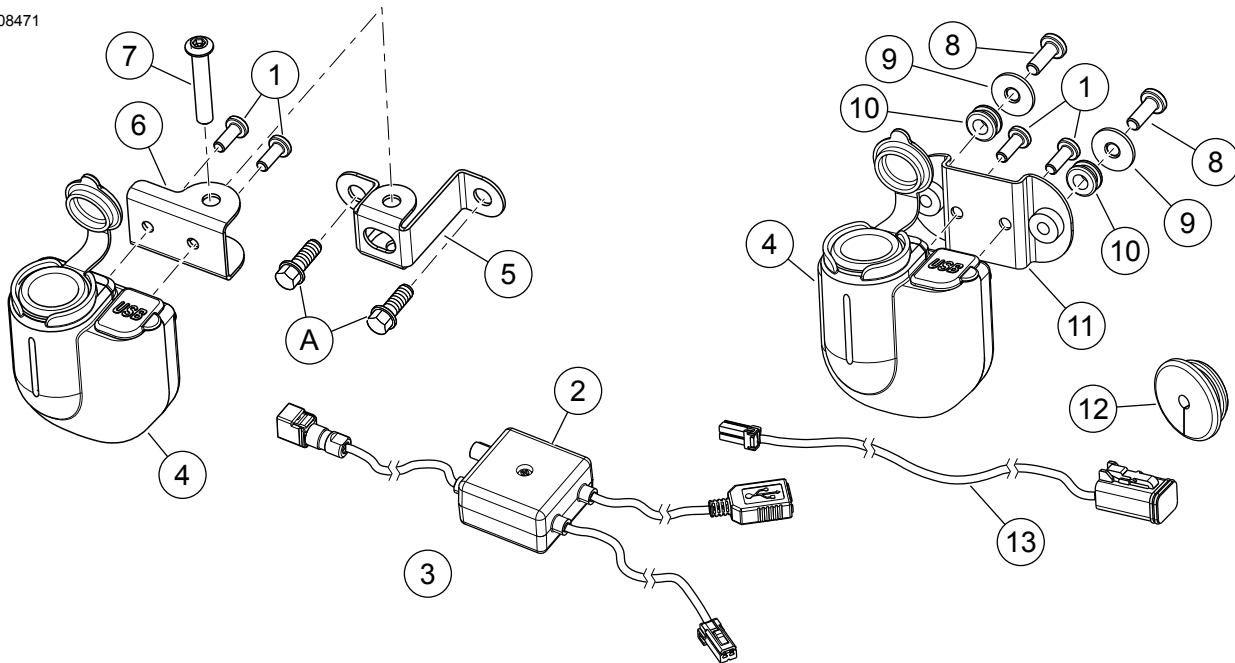


Figure 7. Service Parts: USB/Power Outlet

NOTE

The accessory circuit is a 15A circuit. Check the rating of any accessories used with this power supply. Do not exceed the 15 amp rating.

This device supports a wide variety of USB powered devices. Charging rates can vary with device input current, cable style and cable length.

Complete Installation

1. Secure wires as needed with cable straps.

NOTE

Place connectors where they can be easily accessed for saddlebag removal.

2. Install side cover and saddlebag, if removed.
3. Install fuel tank. See the service manual.
4. Install outer fairing. See the service manual.

▲ WARNING

After installing seat, pull upward on seat to be sure it is locked in position. While riding, a loose seat can shift causing loss of control, which could result in death or serious injury. (00070b)

5. Install seat. See the service manual.
6. Install the main fuse. See the service manual.

Table 1. USB/Power Outlet

Kit	Item	Description (Quantity)	Part Number
Kit 69201087	1	Screw, self tapping (2)	3152
	2	USB hub	Not sold separately
	3	Adhesive tape (not shown)	77125-09
	4	USB/power port	Not sold separately
	5	Bracket, Tour-Pak	Not sold separately
	6	Bracket, USB/power port	Not sold separately
	7	Screw)	2519
Kit 69201102	1	Screw, self tapping (2)	3152
	2	USB hub	Not sold separately
	3	Adhesive tape (not shown)	77125-09
	4	USB/power port	Not sold separately
	8	Screw (2)	924
	9	Washer	6485
	10	Grommet (2)	11410
	11	Bracket, USB/power port	Not sold separately
12	Grommet, split	11486	
	13	Wire harness, power port	Not sold separately
Items mentioned in text, but not included in kit:			
	A	Screw (2)	Not sold separately