



INSTRUCTIONS

J06026

2016-08-22



SUPPLEMENTARY 12 VOLT POWER OUTLET

GENERAL

It is **advised** that this kit is installed by an authorized Harley-Davidson dealer.

Kit Number

69201099

2017 and Later Touring Models

Touring models require separate purchase of a electrical connection harness.

Part Number

69201599

⚠ WARNING

Rider and passenger safety depend upon the correct installation of this kit. If the procedure is not within your capabilities or you do not have the correct tools, have a Harley-Davidson dealer perform the installation. Improper installation of this kit could result in death or serious injury. (00308b)

⚠ WARNING

When installing any electrical accessory, be certain not to exceed the maximum amperage rating of the fuse or circuit breaker protecting the affected circuit being modified. Exceeding the maximum amperage can lead to electrical failures, which could result in death or serious injury. (00310a)

Kit Contents

See Figure 5 and Table 1.

Installation

NOTE

Power outlet can be mounted on either side cover, except on models with active exhaust actuator (HDI except Japan models). The power outlet can be mounted on the left side cover only on these models.

1. Remove seat and the side cover chosen for installation.

⚠ WARNING

To prevent accidental vehicle start-up, which could cause death or serious injury, remove main fuse before proceeding. (00251b)

2. Remove main fuse. See the service manual for details.

3. **NOTE**

Application of masking tape on the surface where the hole is drilled can reduce damage to the paint.

Kit requires a 7/8 in (2.2 cm) diameter hole be drilled in the top of the side cover to mount the power outlet. It is important that the hole is properly located, **before drilling**:

- a. Use the location noted in Figure 1 or Figure 2.

NOTE

This placement gives sufficient clearance behind the cover in order to accommodate the power outlet sleeve.

A step-drill is recommended to reduce damage to the finish and ease drilling.

4. Carefully drill a 7/8 in (2.2 cm) diameter hole at the location identified in the prior step. Drill from the outside of the cover to the inside.

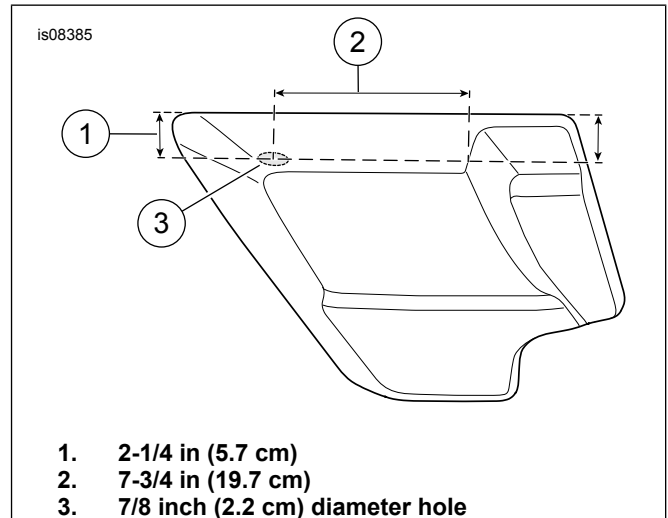


Figure 1. Left Side Cover

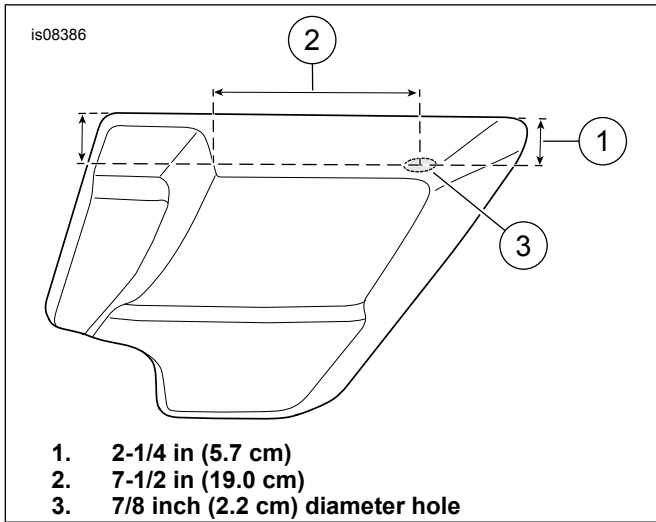
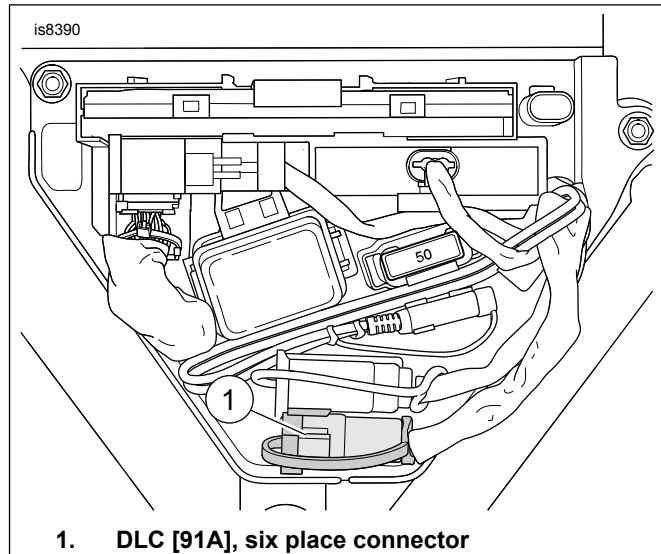


Figure 2. Right Side Cover

1. 2-1/4 in (5.7 cm)
2. 7-1/2 in (19.0 cm)
3. 7/8 inch (2.2 cm) diameter hole



1. DLC [91A], six place connector

Figure 3. Accessory Connector (under left side cover)

5. Unscrew outer sleeve of socket assembly (1) from socket body. Place the socket body into the cover hole. Secure the socket in place by screwing the outer sleeve onto the socket assembly from the inside of the side cover.

6. Remove the left cover unless already done. **Right side cover installation:** Route the harness (spade terminal end) beneath the seat area going under the left side frame tube. Then route over the battery area and under the right side frame tube to the right side cover. **Left side cover installation:** coil cord behind side cover. Secure with cable strap.

7. Route wires before making spade terminal connections. Connect the two spade terminals on the harness to the spades on the socket. Verify the black wire (longer wire) connects to the outer spade on the outer cover. Verify the red wire (shorter wire) connects to the inner spade in the center of the socket assembly.

8. **Except 2017 and later Touring models:** Connect DLC [91].

- a. See Figure 3. Locate the DLC [91A] (1).
- b. Remove [91A] from tab.
- c. Disconnect dust cover.
- d. See Figure 5. Connect DLC [91B] (6) to [91A].
- e. Install [91] onto retainer tab.

9. **2017 and later Touring models:** Modify harness.

NOTE

Do not connect P&A accessory [325] until instructed to do so in this step.

- a. See Figure 4. Install Electrical Connection Harness (Part No. 69201599) as per instructions in that part.
- b. See Figure 5. Cut off connector (6). Insure to cut as close as possible to the connector.
- c. Strip each wire lead from the removed connector to the required length to fit properly into the sealed butt splice.
- d. Cut and remove the caps from the (V/BE) and (BK) wires on the 69201599 harness.

NOTE

If the Electrical Connection Harness (Part No. 69201599) has already been installed, disconnect [325].

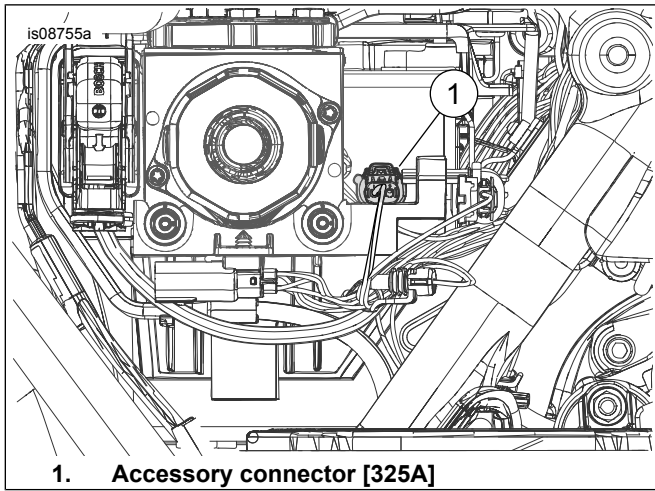
- e. Crimp the (R) wire from 69201099 harness to the (V/BE) wire from the 69201599 harness.
- f. Crimp the (BK) wire from 69201099 harness to the (BK) wire from the 69201599 harness.

⚠ WARNING

Be sure to follow manufacturer's instructions when using the UltraTorch UT-100 or any other radiant heating device. Failure to follow manufacturer's instructions can cause a fire, which could result in death or serious injury. (00335a)

g. Use a heat gun or suitable radiant-heating device to shrink the connector to the wires. Seal any unused connections to protect against corrosion.

h. Connect [325].



1. Accessory connector [325A]

Figure 4. Accessory Connector

10. **NOTE**
Verify that the ignition key switch is in the OFF position before installing the main fuse.

Install main fuse.

▲ WARNING

After installing seat, pull upward on seat to be sure it is locked in position. While riding, a loose seat can shift causing loss of control, which could result in death or serious injury. (00070b)

11. The accessory circuit is a 15A circuit. Check the rating of any accessories used with this power supply. Do not exceed the 15 amp rating.

SERVICE PARTS

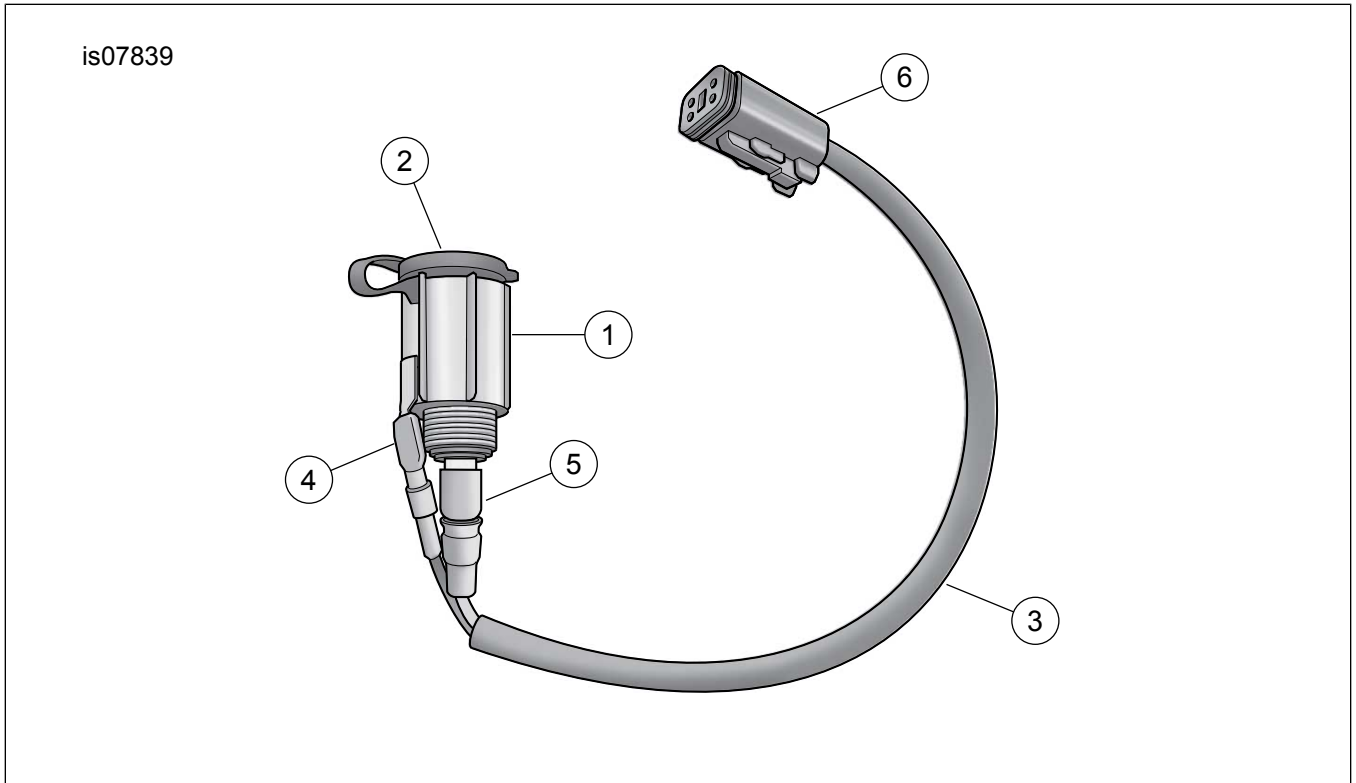


Figure 5. Supplementary 12 Volt Power Outlet

Table 1. Service Parts Table

Item	Description (Quantity)	Part Number
1	Socket assembly (includes socket body and outer sleeve)	Not Sold Separately
2	Socket cover	Not Sold Separately
3	Harness	Not Sold Separately
4	Black wire	Not Sold Separately
5	Red wire	Not Sold Separately
6	DLC [91B], six place connector	Not Sold Separately