



# INSTRUCTIONS

J04422

2014-06-30



## H-D DETACHABLES BLACK UPRIGHT FOR SOFTAILS

### GENERAL

#### Kit Number

52729-08A

#### Models

For model fitment information, see the P&A retail catalog or the Parts and Accessories section of [www.harley-davidson.com](http://www.harley-davidson.com) (English only).

#### Installation Requirements

Separate purchase of extra parts or accessories may be required for proper installation of this H-D® Detachables™ Kit. See the P&A retail catalog or the Parts and Accessories section of [www.harley-davidson.com](http://www.harley-davidson.com) (English only) for a list of required parts or accessories.

#### ⚠ WARNING

Rider and passenger safety depend upon the correct installation of this kit. If the procedure is not within your capabilities or you do not have the correct tools, have a Harley-Davidson dealer perform the installation. Improper installation of this kit could result in death or serious injury. (00308b)

#### ⚠ WARNING

After installing sissy bar/sideplate assembly, pull upward to be sure it is locked in position. While riding, a loose sissy bar/sideplate assembly can shift causing loss of control, which could result in death or serious injury. (00388a)

#### ⚠ WARNING

Federal Motor Vehicle Safety Standard (FMVSS) 108 requires motorcycles to be equipped with rear and side reflectors. Be sure rear and side reflectors are properly mounted. Poor visibility of rider to other motorists can result in death or serious injury. (00336b)

### Kit Contents

See Figure 3 and Table 1.

### INSTALLATION

#### Passenger Upright Installation

1. See Figure 1. Stand behind the motorcycle, and place (10) the front upright notches (2) into the front docking points (3).
2. See Figure 2. Check for correct notch engagement.

#### NOTE

*Failure to engage the sideplate notches to the docking points can damage to the rear docking points.*

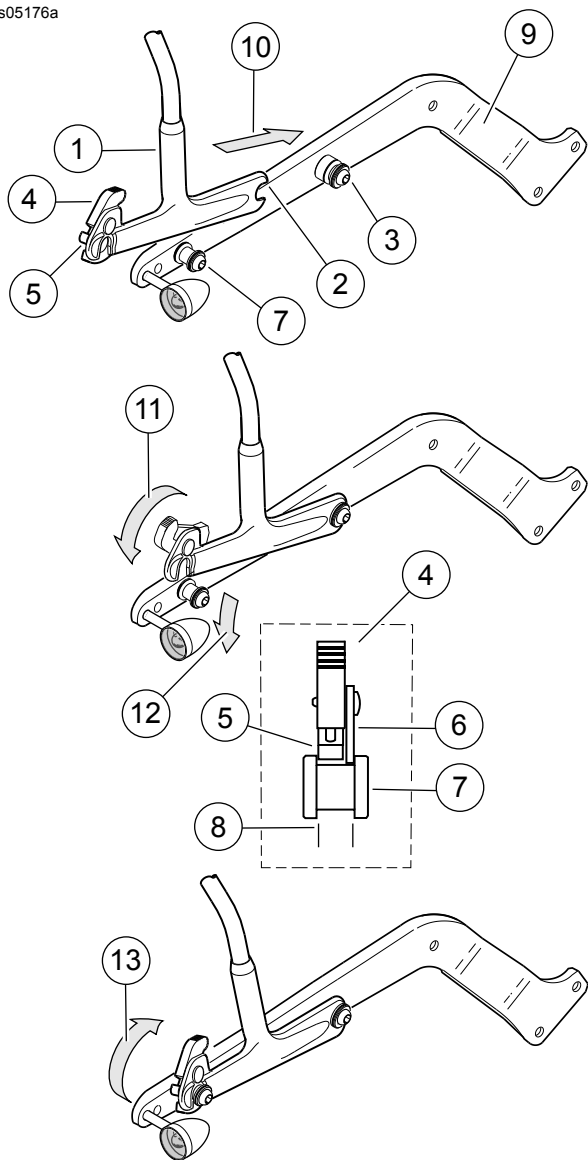
3. See Figure 1. Pull (11) the rotary latches (4) back into their rearmost position. Align the latches over the rear docking points (7). Verify the latches and rear notches (6) fit into the neck (8) of the rear docking points.

#### NOTE

*This may require some gentle squeezing or spreading of the upright sideplates.*

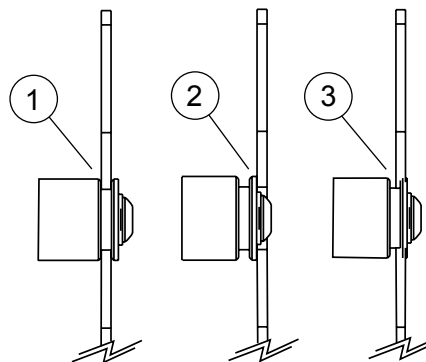
4. Push downward (12) on the sideplates, and close the rotary latches by pressing (13) the latch lever as far forward as it goes. A click is heard when the latch is in place. **If the latch does not close, do not force it.**





1. Upright
2. Front notch
3. Front docking point
4. Rotary latch
5. Release button
6. Rear notch
7. Rear docking point
8. Rear docking point neck
9. Fender support bracket
10. Place front notches into front docking points
11. Pull latches back
12. Lower rear notches onto rear docking points
13. Push forward to close latches

Figure 1. H-D Detachables Upright



1. Correct
2. Incorrect
3. Incorrect

Figure 2. Upright Notch to Docking Point Engagement

5. See Figure 2. Recheck for correct notch engagement.
6. If rear side reflectors for this model motorcycle were included in the Docking Hardware Kit or Saddlebag Kit, remove the original equipment reflectors. Install the reflectors supplied with **that** kit.

## REMOVAL

To remove the upright, press the release buttons. Pull the rotary latches back. Carefully lift the rear of the sideplates up. Pull the upright out of the front docking points.

# SERVICE PARTS

is05177a

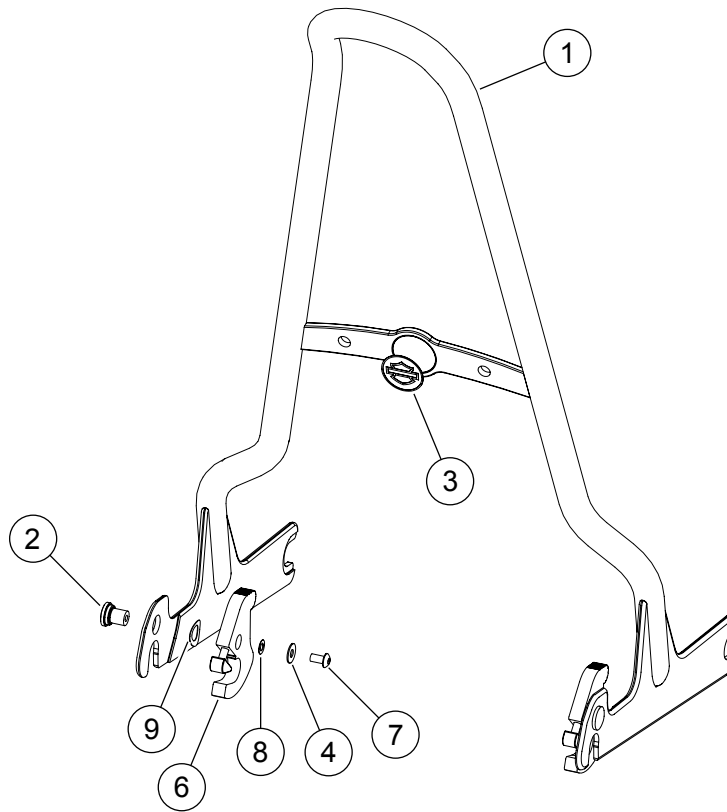


Figure 3. Service Parts: H-D Detachables Upright

Table 1. Service Parts Table

Kit	Item	Description (Quantity)	Part Number
Kit 52729-08	1	Black detachable upright	Not Sold Separately
	2	Splined stud	Not Sold Separately
	3	Bar & Shield logo	13883-00
	4	Flatwasher	Not Sold Separately
	5	Foam tape, double-sided (not shown)	53791-06
Kit 50300108	6	Rotary latch assembly (2)	Not Sold Separately
<b>The following items are common in kit 50300108</b>			
	7	Button head screw	Not Sold Separately
	8	Flatwasher	6827
	9	Wave spring washer	6828
	10	Compression spring (not shown)	53602-95