



INSTRUCTIONS

J03120

2019-01-15



SKULL SHIFTER PEG/ HEEL REST PAD KITS

GENERAL

Kit Numbers

34699-04, 34689-04, 33600258

Models

Shifter Peg Kit, Part Number 34689-04 is designed for installation on all model Harley-Davidson motorcycles.

Heel Rest Pad Kit, Part Number 34699-04 is designed for installation on all models equipped with a Heel Rest Kit, Part Number 50227-01 or 50236-01.

Shift Lever Toe Peg Kit, Part Number 33600258 is designed for installation on all model Harley-Davidson motorcycles.

Kit Contents

See Figure 1 and Table 1.

NOTE

The heel rest and shifter peg rubber treads and spacer tubes come installed in the chrome covers.

The screw (item 5) has a lock patch to prevent loosening. If a heel rest or shifter peg is removed for any reason, use a new screw or apply a few drops of LOCTITE 243 MEDIUM STRENGTH THREADLOCKER AND SEALANT (BLUE) (99642-97) to the screw threads before installation.

⚠ WARNING

Rider and passenger safety depend upon the correct installation of this kit. If the procedure is not within your capabilities or you do not have the correct tools, have a Harley-Davidson dealer perform the installation. Improper installation of this kit could result in death or serious injury. (00308b)

INSTALLATION

Shifter Peg

⚠ WARNING

Rider and passenger safety depend upon the correct installation of this kit. If the procedure is not within your capabilities or you do not have the correct tools, have a Harley-Davidson dealer perform the installation. Improper installation of this kit could result in death or serious injury. (00308b)

1. Remove and discard the Original Equipment (OE) shifter peg. If needed, use a heat gun to apply heat to the shift lever and shifter peg threads to aid in peg removal.
2. See Figure 1. Using the screw (5), attach the peg (1) and tread (3) assembly to the shift lever.
3. Secure screw (5). Tighten.
Torque: 16.3–19 N·m (12–14 ft-lbs)

Heel Rests

NOTE

*The chrome heel rest covers are side-specific. For best appearance, install so the HARLEY-DAVIDSON text is **above** the skull and the MOTORCYCLES text **below**.*

1. See Figure 1. Using the screws (5), attach the left-side heel rest (1) and tread (3) assembly to the left-side heel rest lever.
2. Secure screw (5). Tighten.
Torque: 16.3–19 N·m (12–14 ft-lbs)
3. Repeat for the right-side heel rest (2) and tread assembly.



SERVICE PARTS

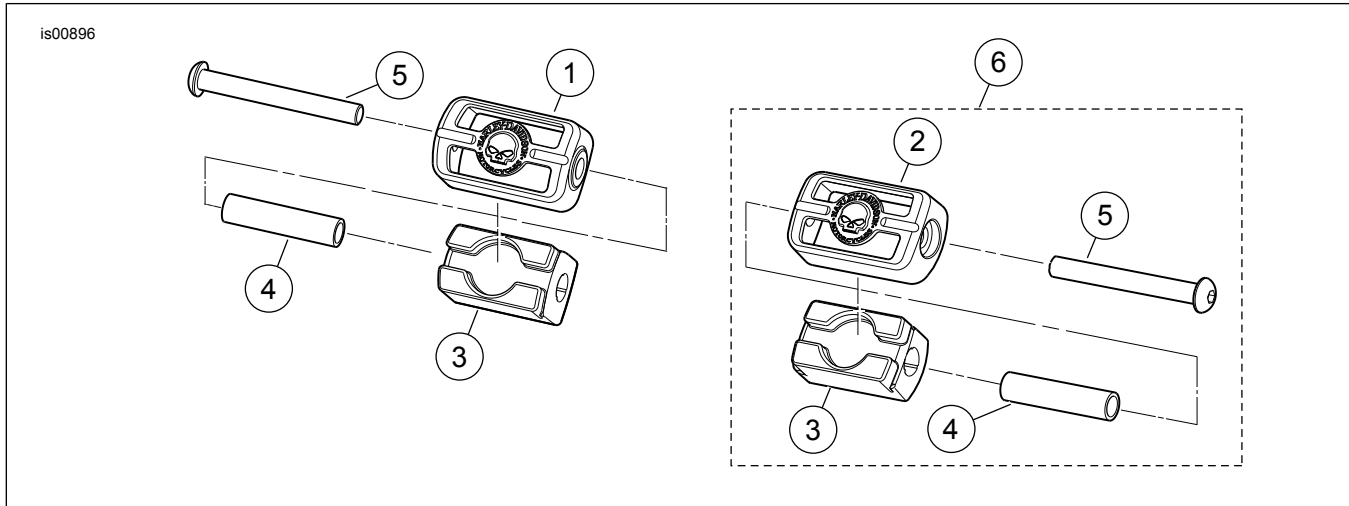


Figure 1. Service Parts, Skull Shifter Peg/ Heel Rest Kits

Table 1. Service Parts

Kit	Item	Description (Quantity)	Part Number
Kit 34699-04 Heel Rest Pad Kit	1	Heel rest cover (chrome) (left)	Not Sold Separately
	2	Heel rest cover (chrome) (right)	Not Sold Separately
	3	Tread heel rest (2)	34698-04
	4	Spacer tube (2)	50784-97
	5	Screw, hex socket, button head (chrome) (2)	94545-03
Kit 34689-04 Shifter Peg Kit	1	Shifter peg cover (chrome)	Not Sold Separately
	3	Tread, shifter peg	34698-04
	4	Spacer tube	50784-97
	5	Screw, hex socket, button head (chrome)	94545-03
Kit 33600258 Shifter Peg Kit	1	Shifter peg cover (satin black)	Not Sold Separately
	3	Tread, shifter peg	34698-04
	4	Spacer tube	50784-97
	5	Screw, hex socket, button head (black)	10200853
Also available			
34703-04 Heel rest (right)	6	Assembly of Items 2,3,4 and 5	