



INSTRUCTIONS

J06267

2016-09-12



SPECTRA GLO LED R/G/B VENT LIGHT KIT

Kit Numbers

68000194

Models

For model fitment information, see the P&A retail catalog or the Parts and Accessories section of www.harley-davidson.com (English only).

Installation Requirements

Separate purchase of LED Controller Kit (part number 68000218), if not already installed.

⚠ WARNING

Rider and passenger safety depend upon the correct installation of this kit. If the procedure is not within your capabilities or you do not have the correct tools, have a Harley-Davidson dealer perform the installation. Improper installation of this kit could result in death or serious injury. (00308b)

Spectra Glo light pods are designed and intended for display use only. Some local regulations prohibit using colored or indirect lighting during vehicle operation on public streets. Check local regulations before installation.

Electrical Overload

NOTICE

It is possible to overload the vehicle's charging system by adding too many electrical accessories. If the combined electrical accessories operating at any one time consume more electrical current than the vehicle's charging system can produce, the electrical consumption can discharge the battery and cause damage to the vehicle's electrical system. (00211d)

⚠ WARNING

When installing any electrical accessory, be certain not to exceed the maximum amperage rating of the fuse or circuit breaker protecting the affected circuit being modified. Exceeding the maximum amperage can lead to electrical failures, which could result in death or serious injury. (00310a)

NOTE

The Spectra Glo RGB kits can be connected together in a variety of ways. Some examples are daisy chain, Tee, and Y. An open end of a harness or light POD should always have a end cap installed.

Kit Contents

Figure 7 and Table 1.

PREPARATION

⚠ WARNING

To prevent accidental vehicle start-up, which could cause death or serious injury, remove main fuse before proceeding. (00251b)

NOTE

See Isheet J06266, Spectra Glo Controller and Remote FOB, for installing multiple RGB products.

1. See service manual. Remove main fuse.
2. See service manual. Remove outer fairing and windshield.
3. See service manual. Remove seat.
4. See service manual. Remove fuel tank, if needed.
5. Figure 1 Locate drill depth gauge (1) on drill template (2).

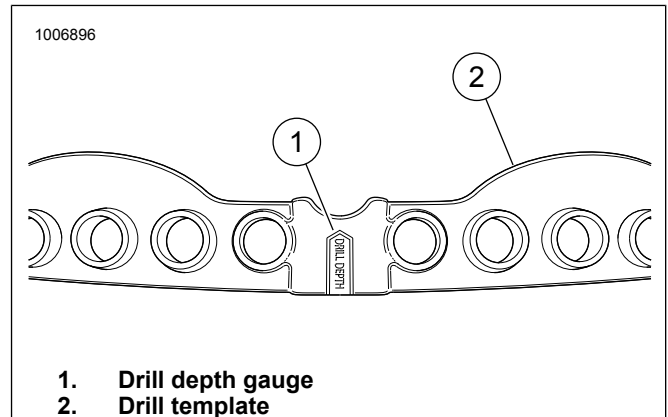


Figure 1.

6. Figure 2 Align tip of drill bit (1) with tip of gauge (2) and wrap masking or duct tape around the flute. The tape will be used as a stop.



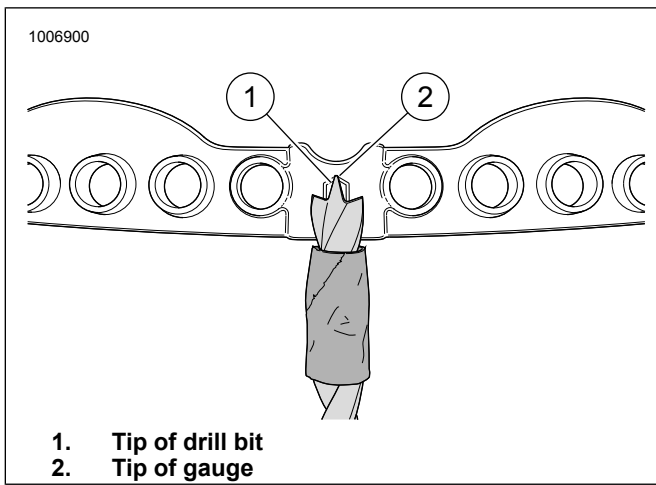


Figure 2.

7. Figure 3 Check drill bit depth (1) against the drill template (2). It should go deep enough through the template to drill out holes in the fairing vent.

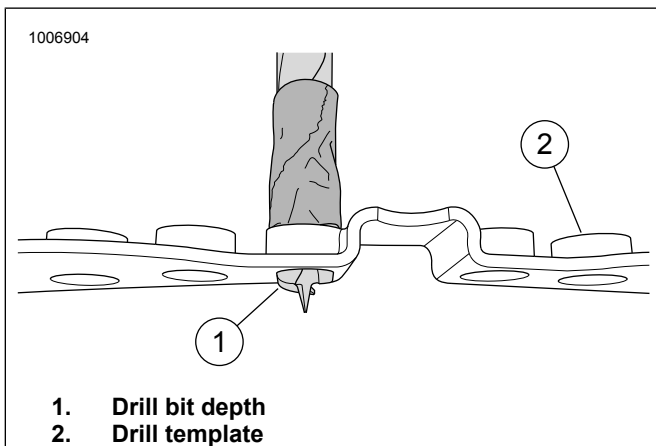


Figure 3.

INSTALLATION

1. **NOTE**

Allow **AT LEAST 24 hours** after installing the controller box before exposing the mounting area to vigorous washing, strong water spray or extreme weather.

The adhesive bond will increase to maximum strength after about 72 hours at normal room temperature.

If Controller Kit (Part No. 68000218) is not installed on vehicle, install now following the instructions in that kit.

2. **NOTE**

The fairing vent can be drilled on or off the vehicle. See service manual for removal procedure.

Figure 4 Position drill template (3) on fairing vent (1). Drill two pilot holes using a 7/64-in. drill bit. The pilot holes are drilled for the two #4 x 3/8 in. truss head screws use in retaining the drill template to the fairing.

3. Figure 7 Secure drill template onto fairing vent with two #4 screws (3).

4. Figure 4 Using folded over cardboard (2) or thin wood block, insert item into vent intake as a drill stop. This is done to prevent the drill bit from punching through the plastic and damaging the opposite side of the fairing vent.
5. Use the 10-mm drill bit that is provided in the kit and carefully drill through the vent in the 12 template locations. **Do not** apply heavy pressure, it could cause damage to the inside surface of the vent.

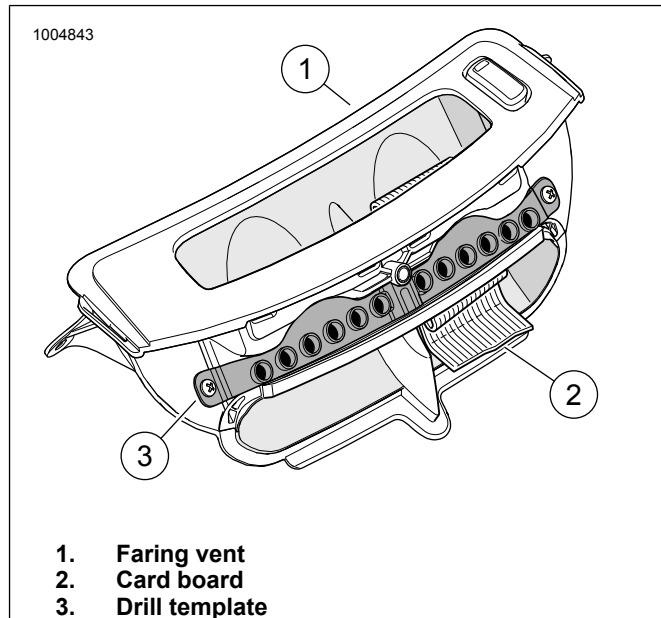


Figure 4. Drill Template and Vent

6. Once all 12 holes are drilled, remove drill template and cardboard or block of wood from vent. Deburr holes as needed. Clean out fairing vent from residual cutting material.
7. Figure 5 Position light engine vent illuminator (1) onto fairing vent and secure it with two #4 x 3/8 in. truss head screws (2).

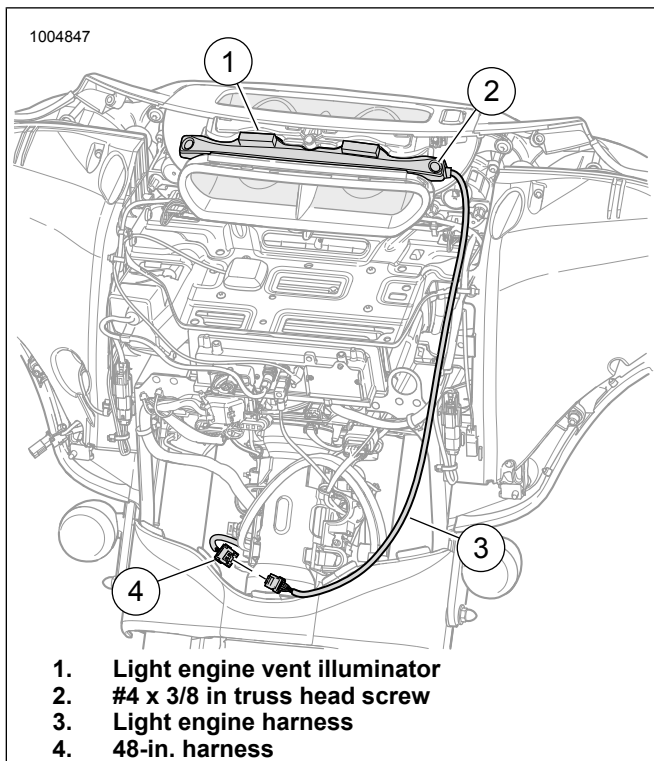


Figure 5. Harness Connections

8.

NOTE

See Isheet J06266, Spectra Glo Controller and Remote FOB, for installing multiple RGB products.

Figure 7 Connect and route 48-in. harness (1) from LED R/G/B controller through the wire trough and up the back bone.

9. Figure 6 Route end of 48-in. harness to steering head (1). Use caddy (2) to secure harness.

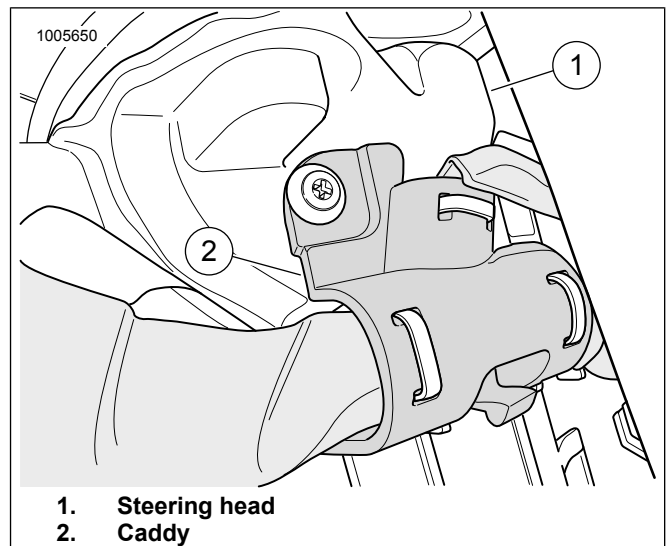


Figure 6. Steering Head With Caddy

10. Figure 5 Route light engine harness (3) from light engine vent illuminator (1) to steering head and connect to the 48-in. harness (4) at steering head.

11. Bundle the harnesses from the controller. Secure the harnesses with cable straps.

Return to Service

1. See service manual. Install fairing vent (if removed).

2.

NOTE

Plug-in headlamp prior to installing outer fairing.

See service manual. Install outer fairing and windshield.

3. Verify that the ignition/key switch is turned to the OFF position.

4. See service manual. Install main fuse.

5. Turn the ignition/key switch to IGNITION, but do not start the motorcycle. Test for proper turn signal and marker lamp operation. Proper operation of marker lamps is:

- a. Both marker lamps are illuminated at all times when the ignition is ON.
- b. The proper marker lamp flashes along with the corresponding turn signal when activated.
- c. Both marker lamps flash when the emergency flashers are activated.

6. See service manual. After installing seat, pull on the seat to verify its secure.

SERVICE PARTS

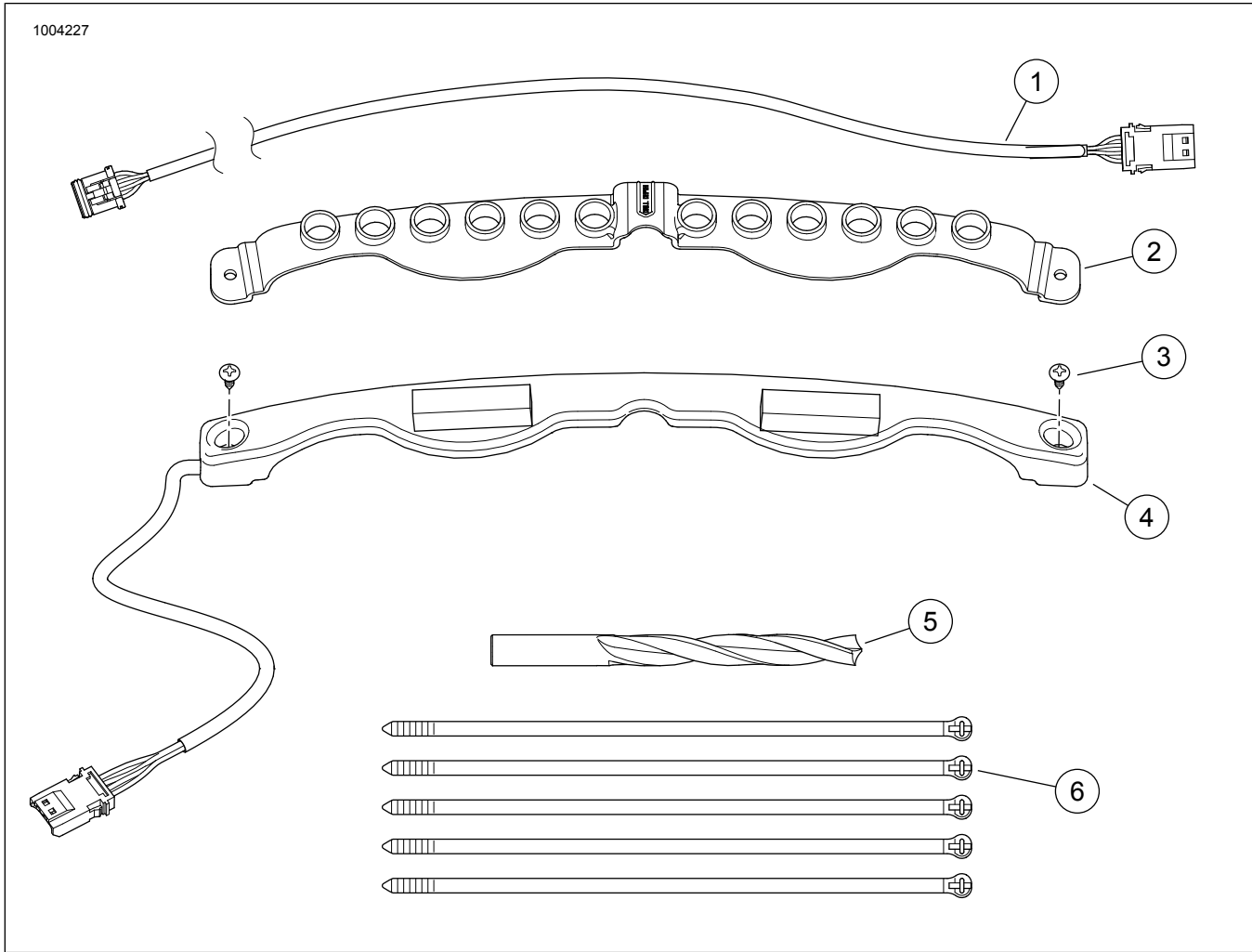


Figure 7. Service Parts, Spectra Glo Light Vent Illumination Kit

SERVICE PARTS

Table 1. Service Parts Table

Kit	Item	Description (Quantity)	Part Number
68000194	1	Wiring Harness, 48 in. 4-pin	Not sold separately
	2	Drill template	Not sold separately
	3	Truss head screw, #4 x 3/8" (2)	Not sold separately
	4	Light engine vent illuminator	68000244
	5	10 mm drill bit	Not sold separately
	6	Cable strap (5)	Not sold separately

SPECTRA GLO LOAD CALCULATION INFORMATION

The Spectra Glo system is limited to 3000 mA. Use the following table to determine the total current draw of the desired

configuration. Calculate the total current draw by multiplying the number kit (each line) by the provided current draw. Sum all totals. The value should be less than or equal to 3000 mA. The following example describes how to calculate total system load.

Table 2. Calculator Example of Spectra Glo Kits

Kit Name	Kit Part Number	Number of Kits	Current mA	Total
Rider Footboards	50500492	1	500	500
Passenger Footboards	50500495	1	350	350
Fairing Vent	68000194		275	
Speaker Lights (Stage I)	68000232		125	
Speaker Lights (Stage II Round)	68000231	1	125	125
Speaker Lights (Stage II Saddle Bag)	68000233		125	

Table 2. Calculator Example of Spectra Glo Kits

Kit Name	Kit Part Number	Number of Kits	Current mA	Total
Base Light Pods (6)	68000213	2	450	900
Expansion Light Pods (4)	68000214	1	300	300
* System Total must be 3000 mA or less.			System Total =	2175

Table 3. Spectra Glo RGB Accessory Calculator

Kit Name	Kit Part Number	Number of Kits	Current mA	Total
Rider Footboards	50500492		500	
Passenger Footboards	50500495		350	
Fairing Vent	68000194		275	
Speaker Lights (Stage I)	68000232		125	
Speaker Lights (Stage II Round)	68000231		125	
Speaker Lights (Stage II Saddle Bag)	68000233		125	
Base Light Pods (6)	68000213		450	
Expansion Light Pods (4)	68000214		300	
* System Total must be 3000 mA or less.			System Total =	

Table 4. Spectra Glo RGB Accessories

Accessories	Part Number
Remote	68000217
JAЕ Cap	69201597
Y Harness (3-way)	69201594
3-in Jumper Harness	69201525
8-in Jumper Harness	69201529
24-in Jumper Harness	69201530
24-in Jumper w/grommet	69201595
48-in Jumper Harness	69201625