



INSTRUCTIONS

J04564

2009-03-17



ADJUSTABLE PASSENGER FOOTPEG SUPPORT

GENERAL

Kit Number

50763-09, 50787-09

Models

For model fitment information, see the P&A Retail Catalog or the Parts and Accessories section of www.harley-davidson.com (English only).

Kit Contents

See Figure 4 and Table 1 and Figure 5 and Table 2.

⚠ WARNING

Rider and passenger safety depend upon the correct installation of this kit. If the procedure is not within your capabilities or you do not have the correct tools, have a Harley-Davidson dealer perform the installation. Improper installation of this kit could result in death or serious injury. (00308b)

INSTALLATION

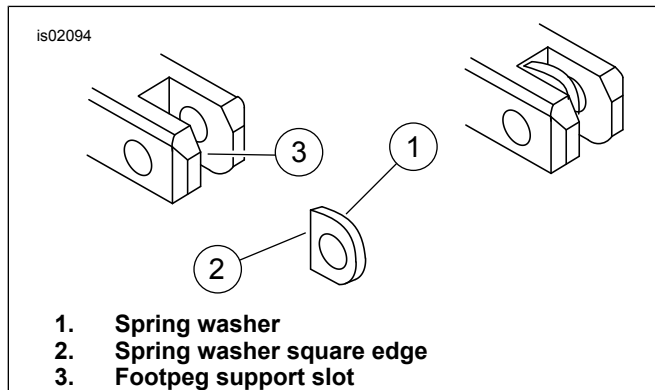


Figure 1. Footpeg Spring Washer Installation

1. Remove the locknuts and screws that hold the existing footpegs in place. If the motorcycle is equipped with a pin and retaining ring, remove them and retain for future use. Save all hardware for installation of the new footpegs.
2. Remove the existing footpegs and the spring washers. Save the spring washers for installation.

NOTE

See Figure 1. When performing the next step, verify that the spring washer is positioned inside of the footpeg support with the square edge (2) towards the inside of the support.

3. **Kit 50787-09:** Remove the original equipment footpeg support.
4. See Figure 2. Install the new support assembly (1) and support clamp (2) using TORX® cap screws (3).

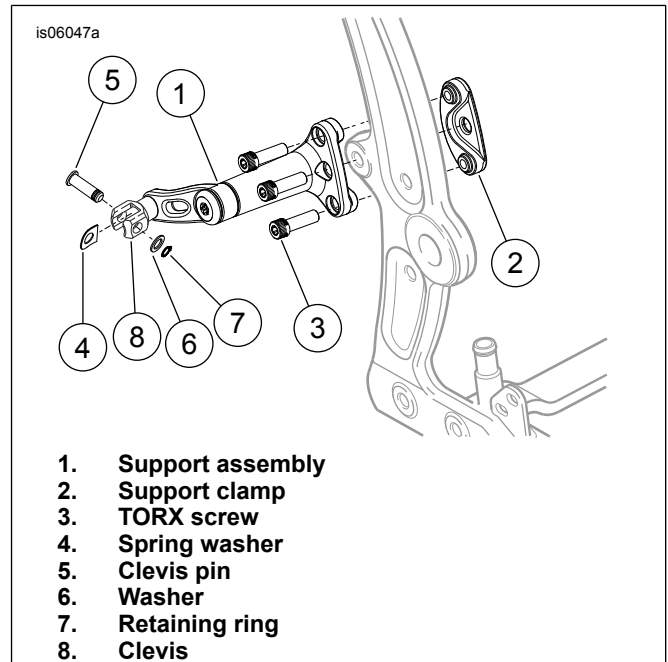


Figure 2. Adjustable Footrest Installation

⚠ WARNING

Footrests must fold up and toward rear of motorcycle if struck. Failure to set footrests to fold up and back could result in death or serious injury. (00366a)

5. Tighten screws (3) to 33.9–40.7 N·m (25–30 ft·lbs).
6. **Kit 50763-09:** See Figure 3. Install the adjustable clevis with the set screw (6) on the top to the footpeg support and secure it with the spring washer, screw and locknut previously removed.
7. Adjust the set screw from the spline face on the clevis pin to tighten the clevis.

All Kits

1. See Figure 4 and Table 1 and Figure 5 and Table 2. Assemble the support arm and female clevis to the footpeg support.
2. Secure footpeg to supports using spring washer (2), clevis pin (1), washer (3) and retaining ring (4).



3. To adjust the position of the footpeg, loosen flat head screw (5) and button head screw (6). Adjust to desired location and tighten screws to 61–67.8 N·m (45–50 ft-lbs).
4. Footpeg support may not rotate completely on some models. When adjusting make sure the footpeg support does not contact any part of the motorcycle to avoid damage.

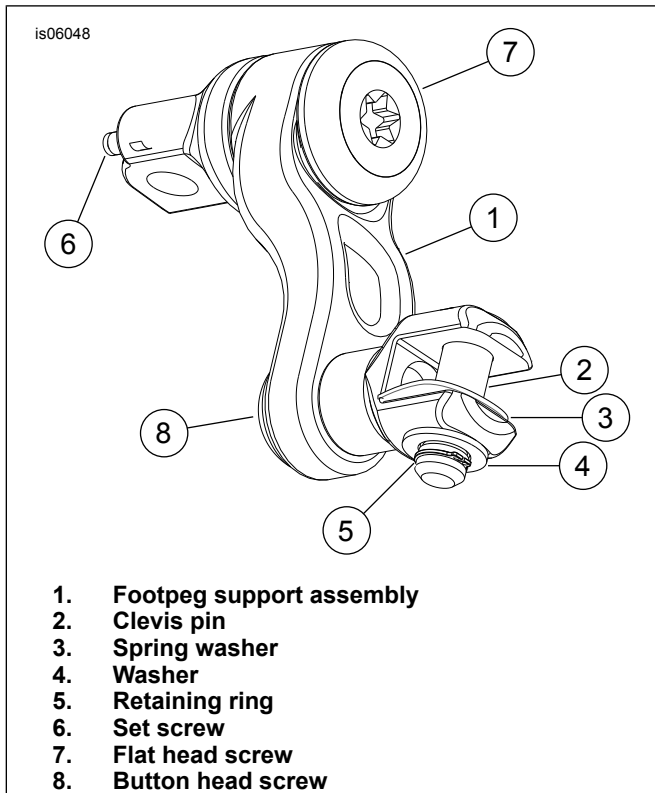


Figure 3. Adjustable Footpeg Support

SERVICE PARTS

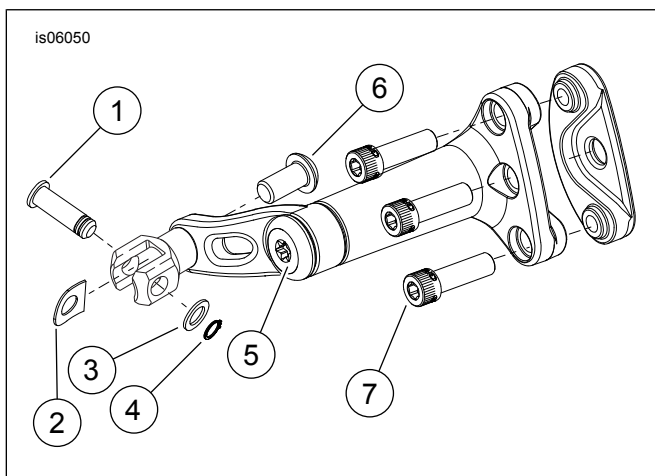


Figure 4. Service Parts: Adjustable Footpeg Support

Table 1. Service Parts Table

Kit	Item	Description (Quantity)	Part Number
Kit 50787-09	1	Clevis pin	42680-01
	2	Spring washer	50912-72
	3	Washer	6379W
	4	Retaining ring	11304
	5	Flat head screw, 7/16-14	Not Sold Separately
	6	Button head screw, 1/2-20	Not Sold Separately
	7	TORX head cap screw, 3/8-16 (3)	4313

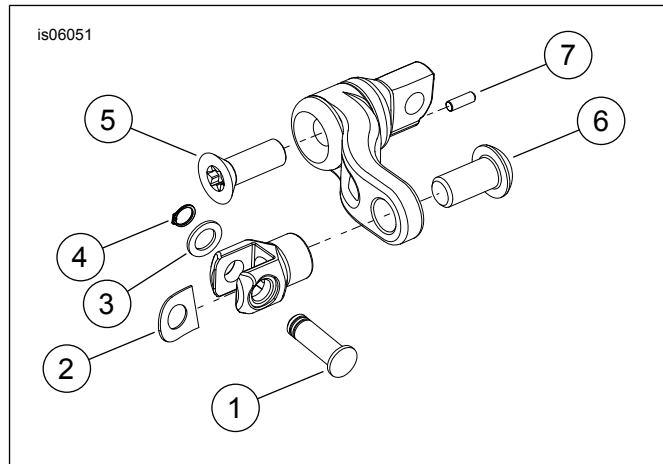


Figure 5. Service Parts: Adjustable Footpeg Support

Table 2. Service Parts Table

Kit	Item	Description (Quantity)	Part Number
Kit 50763-09	1	Clevis pin	42680-01
	2	Spring washer	50912-72
	3	Washer	6379W
	4	Retaining ring	11304
	5	Flat head screw, 7/16-14	Not Sold Separately
	6	Button head screw, 1/2-20	Not Sold Separately
	7	Set screw	Not Sold Separately