



# INSTRUCTIONS

J03590

2015-11-16



## DYNA ENGINE GUARD KIT

### GENERAL

#### Kit Number

49010-06, 49320-09

#### Models

For model fitment information, see the P&A Retail Catalog or the Parts and Accessories section of [www.harley-davidson.com](http://www.harley-davidson.com) (English only).

#### Installation Requirements

**Models with a center-mounted horn:** A horn bracket adapter kit is required. Refer to the latest P&A Retail Catalog for a list of required parts or accessories for your model.

#### ⚠ WARNING

Rider and passenger safety depend upon the correct installation of this kit. If the procedure is not within your capabilities or you do not have the correct tools, have a Harley-Davidson dealer perform the installation. Improper installation of this kit could result in death or serious injury. (00308b)

#### ⚠ WARNING

If Equipped: Front and/or rear guards are not intended to provide protection from bodily injury in a collision with another vehicle or any other object. (00022d)

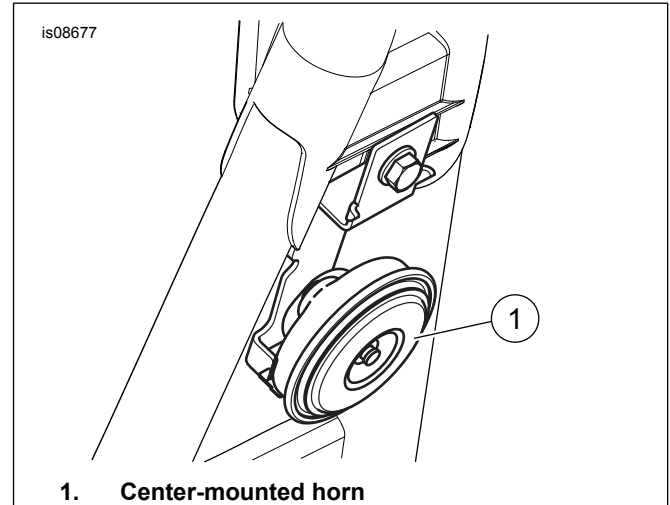
### Kit Contents

Table 1. Kit Contents: Dyna Engine Guard

Description (Quantity)	Part Number
Engine guard	Not Sold Separately
U-bolt (2)	4794
Locknut, flange (4)	7601
Bolt, 3/8-16 x 7/8 inch	2851
Lockwasher, 3/8 inch	7038

### INSTALLATION

- See Figure 1. **Models with a center-mounted horn:** Install horn bracket adapter kit per instructions in that kit.



1. Center-mounted horn

Figure 1. Center-Mounted Horn

- Lift engine guard into place. Align top center mount of guard with frame crosspiece member between frame downtubes.
- Secure top center mount to frame crosspiece member using 3/8-16 x 7/8 inch bolt and lockwasher included in kit. Do not fully tighten at this time.
- On right side of motorcycle, install U-bolt from kit around the frame member and into the holes in the lower mounting bracket. Secure loosely into place using two locknuts from kit.

#### NOTE

The left U-bolt must be installed between the frame and the clutch cable. Do not pinch clutch cable between the U-bolt and the frame.

- On left side of motorcycle, install remaining U-bolt from kit around the left frame member and into holes in lower mounting bracket. Secure loosely into place using two locknuts from kit.
- Tighten upper mounting bolt to 41–45 N·m (30–33 ft-lbs).
- Alternately tighten U-bolt hardware to 34 N·m (25 ft-lbs). Tighten left and right side of the U-bolts evenly so that approximately the same length of bolt protrudes from end of nut.

