



INSTRUCTIONS

J04752

2013-10-09



FOUR-POINT DETACHABLE DOCKING HARDWARE KIT

GENERAL

Kit Numbers

54205-09A, 54246-09A

Models

For model fitment information, see the P&A retail catalog or the Parts and Accessories section of www.harley-davidson.com (English only).

Installation Requirements

Separate purchase of more parts or accessories is required for proper installation of this kit on certain model motorcycles. See the P&A retail catalog or the Parts and Accessories section of www.harley-davidson.com (English only) for a list of required parts or accessories for a specific model.

Loctite[®] 262 Threadlocker and Sealant - Red (Part No. 94759-99) is required for proper installation of this kit.

⚠ WARNING

Rider and passenger safety depend upon the correct installation of this kit. If the procedure is not within your capabilities or you do not have the correct tools, have a Harley-Davidson dealer perform the installation. Improper installation of this kit could result in death or serious injury. (00308b)

NOTE

This instruction sheet refers to service manual information. A service manual for this year/model motorcycle is available from a Harley-Davidson dealer.

Kit Contents

See Figure 3 and Table 1.

INSTALLATION

NOTE

FLHXSE and FLTRXSE Models: Remove original equipment (OE) two-point docking bracket.

1. **ALL Models:** See Figure 3. Remove the screw (A) retaining the rear of the chrome cover to the rear frame extension on each side of the vehicle.
2. Place a washer (7) over the threads of each of the larger TORX[®] head screws (6) from the kit.

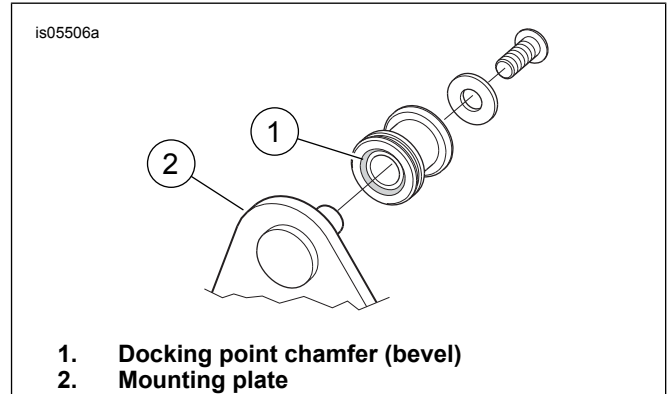


Figure 1. Docking Point Installation

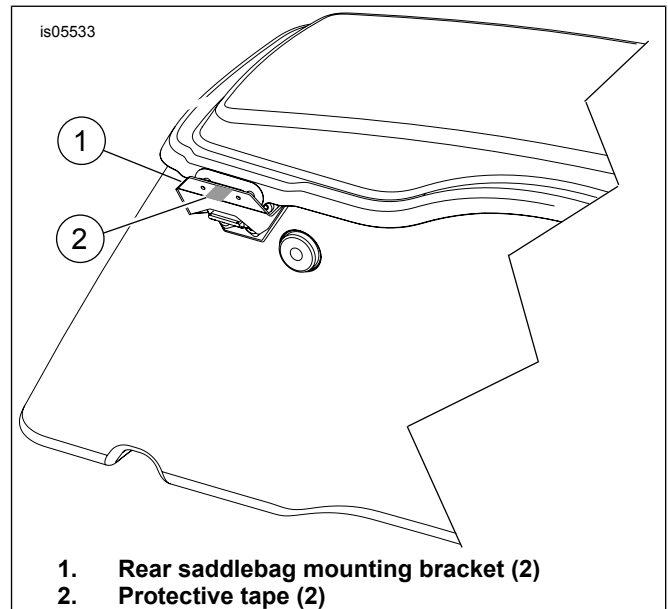


Figure 2. Apply Protective Tape

3. **FLHXSE and FLTRXSE Models:** Position the antenna mounting bracket (C) to the left side docking plate (1). Install the screws through the docking plates and fender covers, and into the threaded holes in the frame extension. Do not fully tighten now. **Models Except FLHXSE and FLTRXSE:** Install the screws through the docking plates (1) and fender covers, into the threaded holes in the frame extensions on each side. Tighten bolts until snug.

NOTE

ALL Models: See Figure 1. Attach the docking points to the docking plates (2) with the chamfer (1) facing the plate and the flat side facing out.

4. See Figure 3. Slide a spacer (2) onto the longer pin (B) of each docking plate. Install the four docking points (3), chamfer end first, onto the long and short docking plate pins with washers (5) and smaller TORX screws (4). Tighten bolts until snug.

NOTE

Install protective tape to the rear saddlebag mounting bracket to prevent damage to the chrome docking plate.

5. See Figure 2. Apply protective tape (2) to the rear saddlebag mounting bracket (1) on the saddlebag in the location shown. Repeat steps for the opposite side.

ALIGNMENT CHECK

1. Install the desired detachable accessory per the instructions in **that** kit. If the docking points are not spaced far enough apart to accommodate the accessory:
 - a. Remove the accessory.
 - b. Remove the four screws (4), washers (5) and docking points (3) from the docking point pins. Remove the spacers (2) from the forward docking point pins (B).
 - c. Get four chrome washers (9) from the kit. Install one washer onto each docking point pin.
 - d. Install the spacers (2) onto the forward pins (B).
 - e. Install the docking points (3, chamfer end first), washers (5) and screws (4). Tighten bolts until snug.

2. Install the detachable accessory per instructions. If the docking points are still not spaced far enough apart:
 - a. Remove the accessory.
 - b. Get six silver-finished washers (10) from the kit.
 - c. Remove the six screws (6) and chrome washers (7) retaining the docking plate assemblies to the rear frame extensions.
 - d. Install one silver washer (10) **behind** the docking plate assemblies at each screw location as the screws and chrome washers are installed. Tighten bolts until snug.

3. Install the detachable accessory per instructions. Once docking points are properly aligned and spaced, tighten the four screws (4) to 14.2 N·m (10.5 ft-lbs).
4. Remove **one** screw (6) and chrome washer (7) installed in Step 2d.
 - a. Apply 2-3 drops of Loctite 262 Threadlocker and Sealant - Red to the threads of the screw.
 - b. Align the silver washer (10) **behind** the docking plate hole as needed. Install the screw and chrome washer.
 - c. Repeat steps at the remaining five mounting positions.
 - d. Tighten all six mounting screws to 23 N·m (17 ft-lbs).

SERVICE PARTS

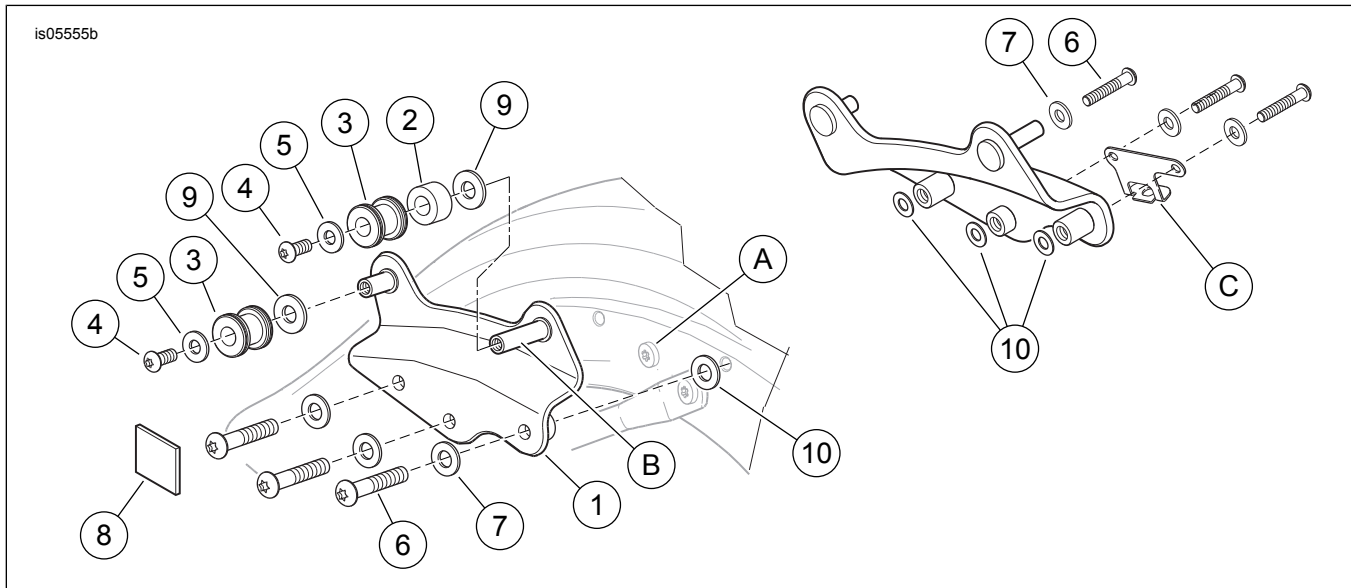


Figure 3. Service Parts, Four-Point Detachable Docking Hardware Kit

Table 1. Service Parts

Item	Description (Quantity)	Part Number
1	Docking plate assembly, chrome (right side)	54218-09A
	Docking plate assembly, gloss black (right side)	54271-09A
	Docking plate assembly, chrome (left side)	54217-09A
	Docking plate assembly, gloss black (left side)	54270-09A
2	Spacer, docking point (2)	6946

Table 1. Service Parts

Item	Description (Quantity)	Part Number
3	Docking point (4)	53684-96A
4	Cap screw, button head, TORX, 1/4-20 x 16 mm (5/8 in) long (4)	94592-98
5	Plain washer, chrome plate, 7.26 mm (0.286 in) ID, 16 mm (0.630 in) OD (4)	6339
6	Cap screw, button head, TORX, 5/16-18 x 44.5 mm (1.75 in) long (6)	4783
7	Plain washer, chrome plate, 8.86 mm (0.349 in) ID, 17.6 mm (0.692 in) OD (6)	6330
8	Protective tape (2)	54233-09
9	Plain washer, chrome plate, 10.3 mm (0.406 in) ID, 20.6 mm (0.813 in) OD (4)	94067-90T
10	Plain washer, heat treated, zinc plate, 20.7 mm (0.82 in) ID, 15.7 mm (0.62 in) OD (6)	6316HW
Items mentioned in text, but not included in kit:		
A	Chrome cover to rear frame extension retaining screw (2)	
B	Longer docking point pin (2)	
C	Antenna mounting bracket (FLHXSE and FLTRXSE models only)	