



INSTRUCTIONS

94100094

2021-08-02



SOLO SEAT

GENERAL INFORMATION

Table 1. General Information

Kits	Suggested Tools	Skill Level ⁽¹⁾
52000471, 52000472, 52000478	Safety Glasses	

(1) Only simple tools and techniques required

KIT CONTENTS

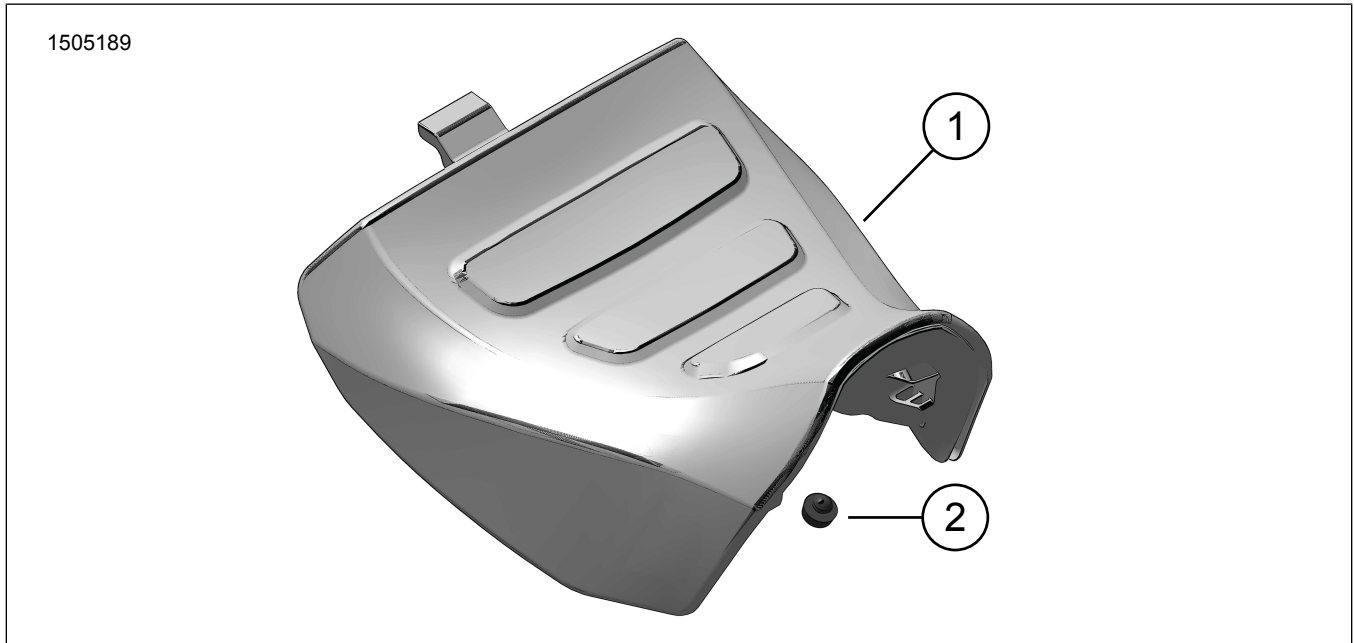


Figure 1. Kit Contents: Solo Seat

Table 2. Kit Contents: Solo Seat

Verify that all contents are present in the kit before installing or removing items from vehicle.					
<input checked="" type="checkbox"/>	Item	Qty	Description	Part No.	Notes
<input type="checkbox"/>	1	1	Seat	Not sold separately	
<input type="checkbox"/>	2	4	Pad	11100174	

GENERAL

Models

For model fitment information, see the Parts and Accessories (P&A) Retail Catalog or the Parts and Accessories section of www.harley-davidson.com.

Verify that the most current version of the instruction sheet is used. It is available at: h-d.com/isheets

Contact Harley-Davidson Customer Support Center at 1-800-258-2464 (U.S. only) or 1-414-343-4056.

Installation Requirements

⚠ WARNING

Rider and passenger safety depend upon the correct installation of this kit. If the procedure is not within your capabilities or you do not have the correct tools, have a Harley-Davidson dealer perform the installation. Improper installation of this kit could result in death or serious injury. (00308b)

REMOVE

1. Figure 2 Insert key in seat lock (2).
2. Turn key to release latch (4).
3. Lift up then back on passenger seat (3) to remove.
4. Lift up then back on rear of rider seat (1) to remove.

INSTALL

NOTE

Rider seat can be installed in either high position or low position slots to adjust seat height.

1. Figure 3 Insert tabs (3) of **new** rider seat (1) into high position (4) or low position (5) slots in side covers (2).
2. Figure 4 Lower rear of rider seat (1) into position.
 - a. **Low Position:** Make sure pads (3) rest on frame tubes (4).
 - b. **High Position:** Make sure seat posts (1) sits in brackets (2).
3. Figure 2 Engage tabs on passenger seat (3) in slots of seat support.

4. Lower rear of passenger seat.

NOTE

Apply downward pressure on rear of seat to align.

5. Press rear of passenger seat forward and down, aligning pin with latch hole, until a click is heard.
6. Pull up on seat to verify it is secure.
7. Remove key from seat lock.

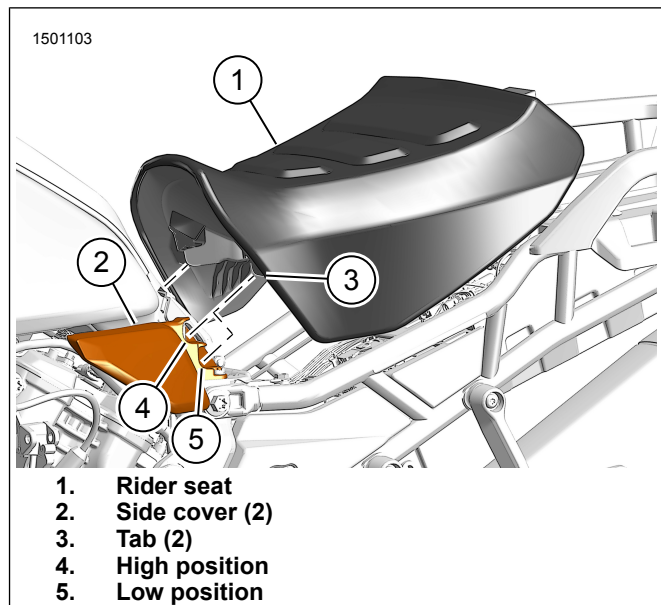


Figure 3. Rider Seat

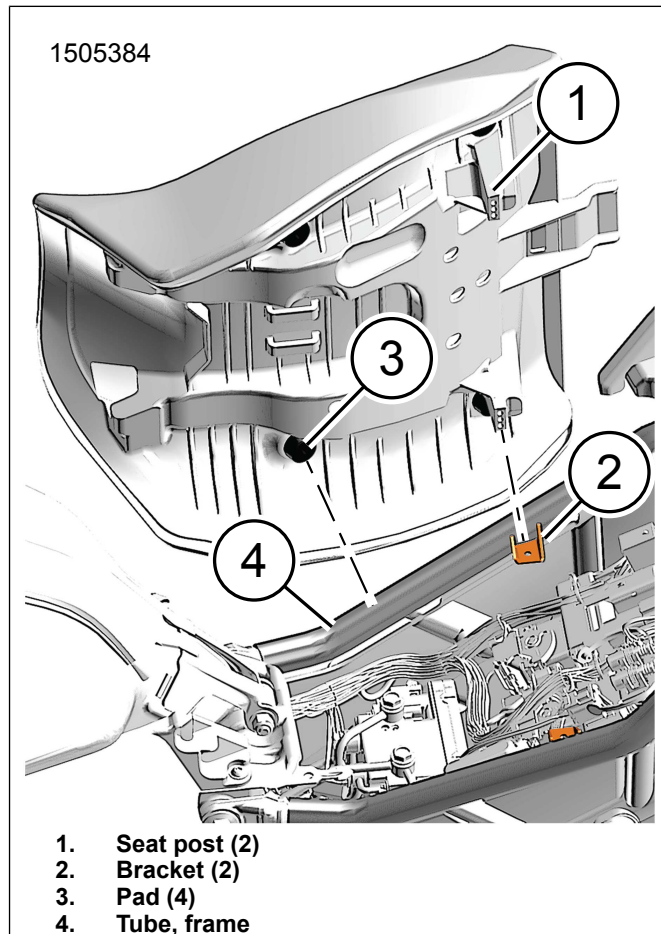


Figure 4. Seat High / Low Positions

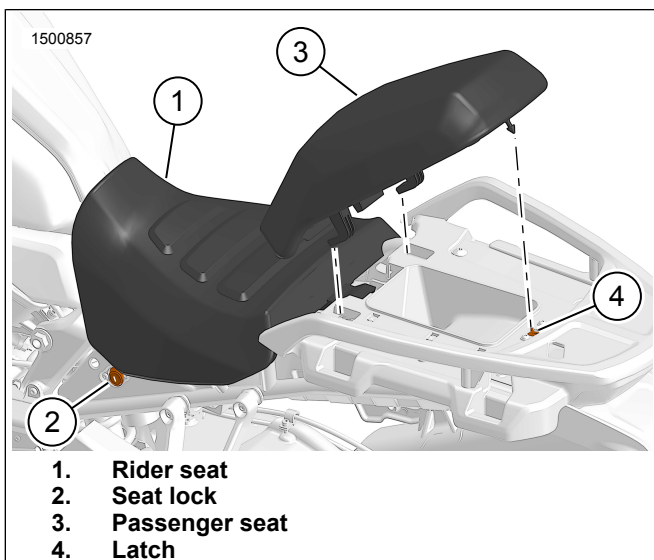


Figure 2. Passenger Seat