



INSTRUCTIONS

J06681

2018-04-09



BOBBER SOLO SEAT KITS

GENERAL

Kit Number

Mounting Kits

Rigid Kit: 52100043

Spring Kit: 52100029

Seat Kits

52000314, 52000315, 52000320, 52000381

Models

For model fitment information, see the P&A Retail Catalog or the Parts and Accessories section of www.harley-davidson.com (English only).

Installation Requirements

These kits require the separate purchase of Spring Kit (52100029).

NOTE

An optional Rigid Kit (52100043) is also available, but still require purchase of Spring Kit (52100029). Replace springs with rigid mounts.

Kit Contents

See Figure 5 and Table 1.

INSTALLATION

⚠ WARNING

Rider and passenger safety depend upon the correct installation of this kit. If the procedure is not within your capabilities or you do not have the correct tools, have a Harley-Davidson dealer perform the installation. Improper installation of this kit could result in death or serious injury. (00308b)

NOTE

When a solo seat is installed without a passenger seat, the passenger foot pegs or foot boards and the passenger grab strap must be removed.

When removing or installing the seat, do not scratch painted surfaces (fender, tank, and so on) with metal tab on seat.

1. Remove original equipment (OE) seat. See service manual.
2. See Figure 1. Remove the six screws from under seat location.

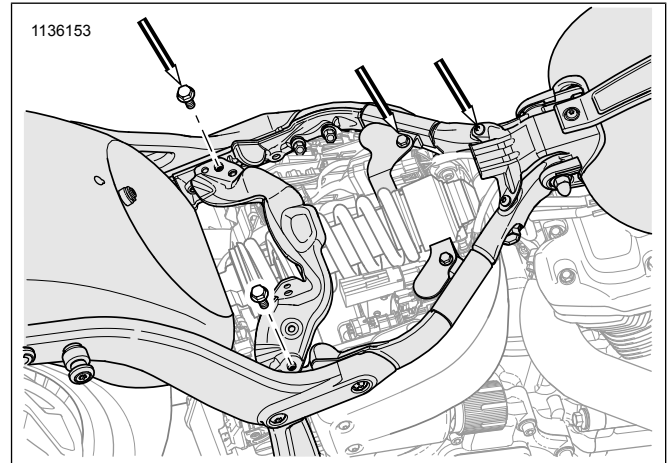
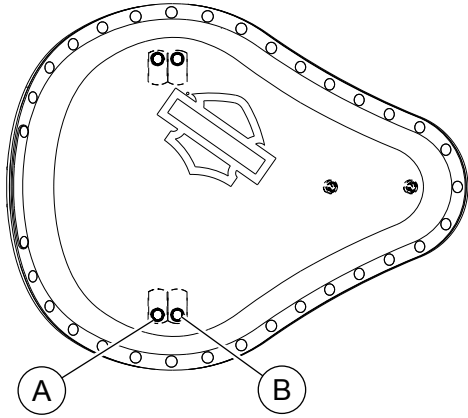


Figure 1. Bolt Removal

3. See Figure 1 and Figure 5. Install front mounting bracket (13). Secure with screws (7) to front of bracket and screws (5) to rear of bracket. Tighten.
Torque: 10.8–13.5 N·m (8–10 ft-lbs) Screw (7)
Torque: 9.4–12.2 N·m (7–9 ft-lbs) Screw (5)
4. Install right and left mounting perch (15,16). Secure with screws (9). Tighten.
Torque: 23–27 N·m (17–20 ft-lbs)
5. Spring Kit:
 - a. See Figure 3 and Figure 5. Place one washer (8) inside top (tighter coil end) of spring (4) and one washer (8) outside top of spring, assemble on screw (6). Figure 2 Attach assembly to holes, location (A), on bottom of seat. Tighten
Torque: 13.55 N·m (120 in-lbs)





- A. Spring kit location**
B. Rigid kit location

Figure 2. Kit Attachment Location

- b. Attached spring grommet (12) to bottom of spring.
- c. Attach bracket (17) to under seat cover (3) with screw (18) and nut (19). Tighten.
Torque: 7.45 N·m (66 in-lbs)
- d. Repeat steps (a,b,c) for other side.
- e. Place under seat cover (3) on right and left mounting perch (15,16).
- f. Secure front of under seat cover (3) to front mounting bracket (13) with two screws (18).
- g. Ensure two bushings (11) are in place within the nose of the mounting bracket.
- h. Align clevis bracket (14), in an upright position, to front mounting bracket (13). Secure with screw (10). Tighten.
Torque: 8.5 N·m (75 in-lbs)
- i. See Figure 4 and Figure 5. Mount seat pan (1) to clevis bracket (14) using two screws (2). Tighten.
Torque: 8.13–9.49 N·m (72–84 in-lbs)

6. **NOTE**

Spring (4) may need to adjusted to fit over right and left mounting perch (15,16).

Rigid Kit:

- a. See Figure 3. Assemble rigid mount post (20) to seat pan (1). Tighten.
Torque: 13.55 N·m (120 in-lbs)
- b. See Figure 4 and Figure 5. Mount seat pan (1) to clevis bracket (14) using two screws (2). Tighten.
Torque: 8.13–9.49 N·m (72–84 in-lbs)
- c. Align rear of seat pan (1) over right and left mounting perch (15,16).

- d. Assemble screw (10) to clevis bracket (14). Tighten.
Torque: 8.47 N·m (75 in-lbs)

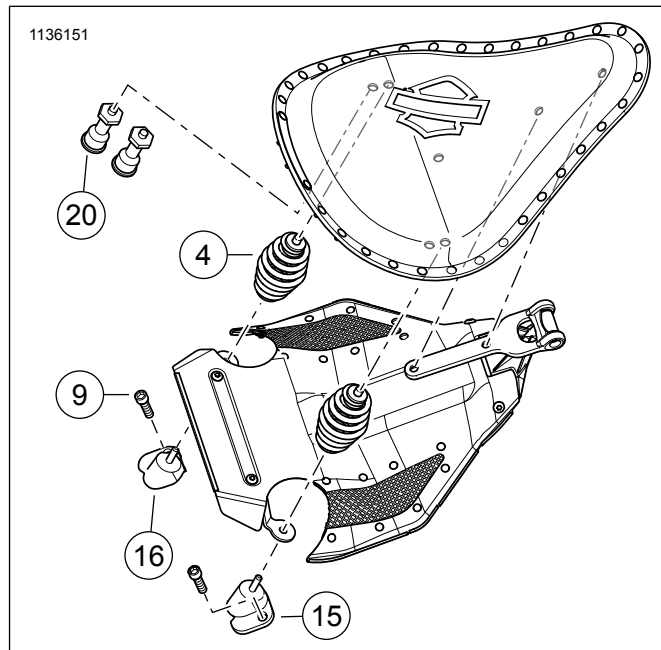


Figure 3. Springs/Rigids being attached to Seat

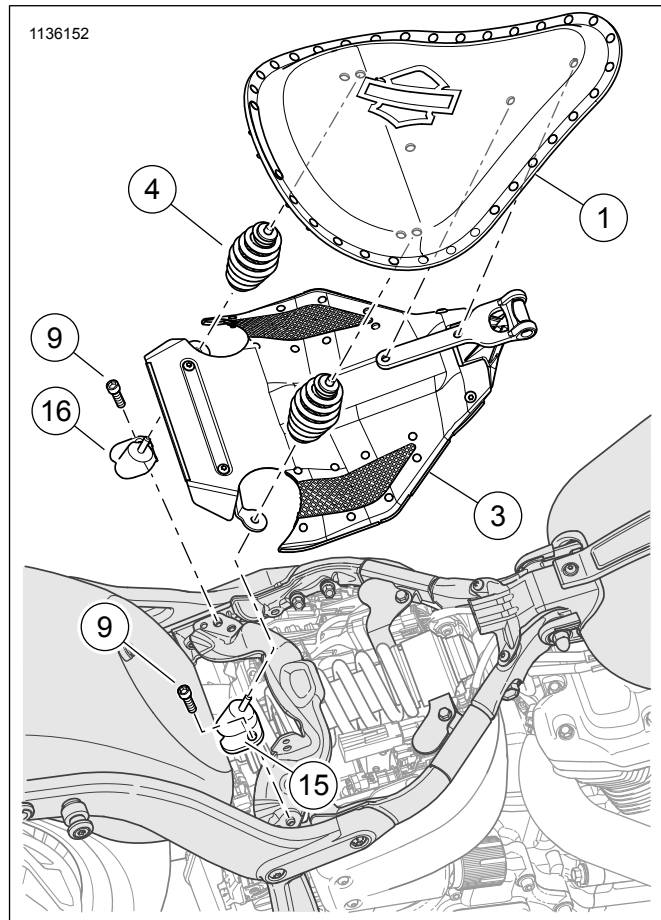


Figure 4. Seat Assembly Installed to Vehicle

7. After installing seat, pull up on the front of seat to verify that it is secure. See service manual.

SERVICE PARTS

1133683

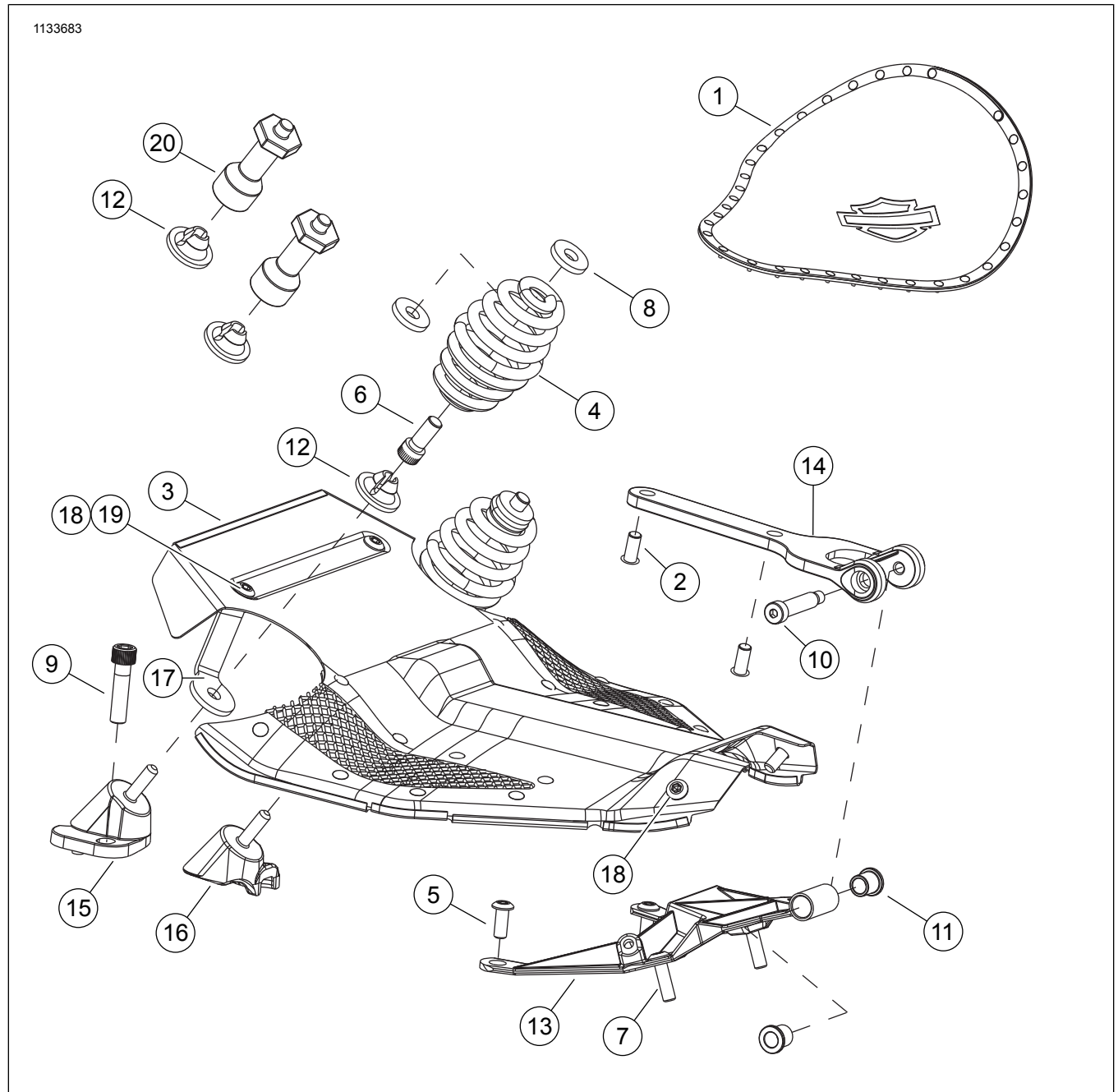


Figure 5. Service Parts: Solo Seat Kits

Table 1. Service Parts: Solo Seat Kits

Kit	Item	Description (Quantity)	Part Number
52000314	1	Seat, smooth leather with trim ring	Not sold separately
52000315		Seat, tuck and roll	Not sold separately
52000320		Seat, black distressed, no foam	Not sold separately
52000381		Seat, brown distressed, no foam	Not sold separately
	2	Screw (2)	10200660

Table 1. Service Parts: Solo Seat Kits

Kit	Item	Description (Quantity)	Part Number	
52100029	3	Under seat cover	52000363	
	4	Springs (2)	52100054	
	5	Screw, hex socket button head (2)	924	
	6	Screw, hex socket cap (2)	3275	
	7	Screw, hex socket button head (2)	4015	
	8	Washer (4)	6116	
	9	Screw, hex socket head cap (2)	94335-91T	
	10	Screw, shoulder	10200605	
	11	Bushing (2)	11000115	
	12	Grommet (2)	12100116	
	13	Bracket, front mounting	52100032	
	14	Clevis bracket	52100034	
	15	Mounting perch, right	52100037	
	16	Mounting perch, left	52100038	
	17	Bracket (2)	Not sold separately	
	18	Screw (4)	4365	
	19	Nut (2)	7688	
	52100043	12	Grommet (2)	12100116
		20	Mounting post (2)	52100041