



# INSTRUCTIONS

94100290

2021-08-03



## WIND DEFLECTOR KIT

### GENERAL INFORMATION

Table 1. General Information

Kits	Suggested Tools	Skill Level <sup>(1)</sup>
55900297	Safety Glasses, Torque Wrench	
<i>(1) Tightening to torque value or other moderate tools and techniques required</i>		

### KIT CONTENTS

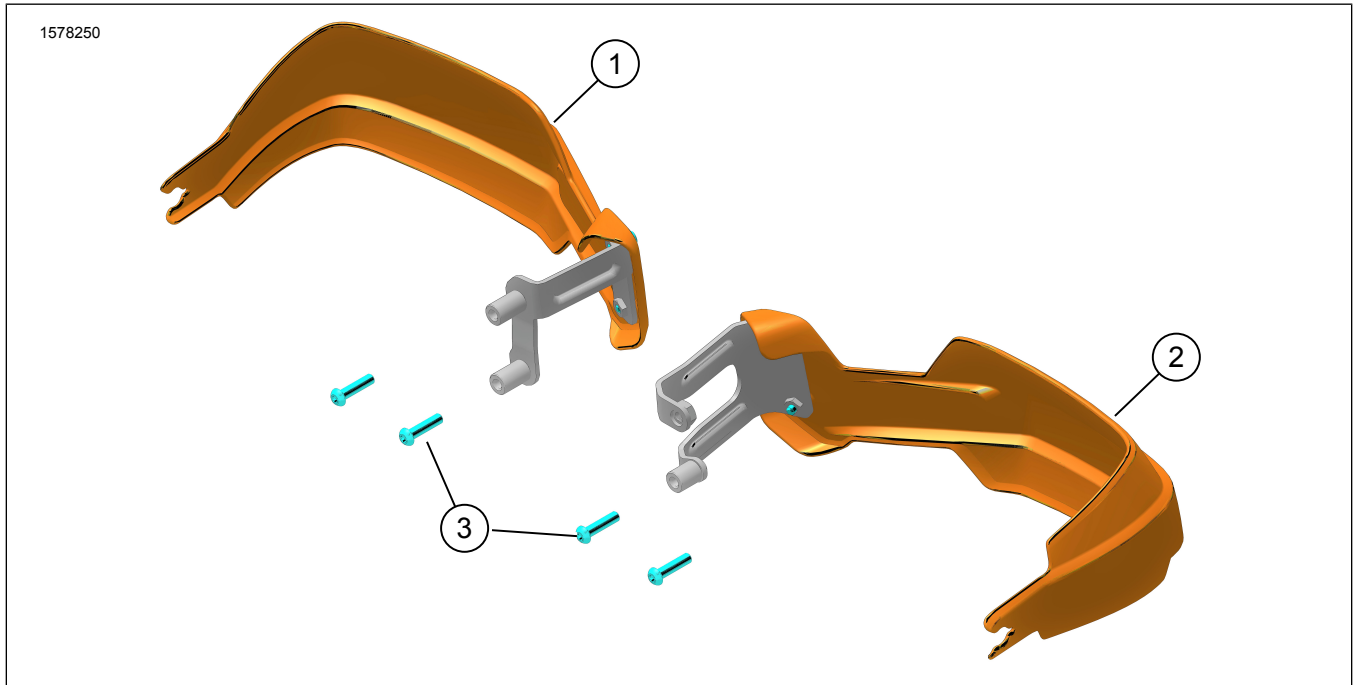


Figure 1. Kit Contents: Wind Deflectors

Table 2. Kit Contents: Wind Deflectors

<input checked="" type="checkbox"/>	Verify that all contents are present in the kit before installing or removing items from vehicle.				
Item	Qty	Description	Part No.	Notes	
<input type="checkbox"/>	1	Left wind deflector	Not sold separately		
<input type="checkbox"/>	2	Right wind deflector	Not sold separately		
<input type="checkbox"/>	3	Screw, long	10201021		

### GENERAL

#### Models

For model fitment information, see the Parts and Accessories (P&A) Retail Catalog or the Parts and Accessories section of [www.harley-davidson.com](http://www.harley-davidson.com).

Verify that the most current version of the instruction sheet is used. It is available at: [h-d.com/isheets](http://h-d.com/isheets)

Contact Harley-Davidson Customer Support Center at 1-800-258-2464 (U.S. only) or 1-414-343-4056.

## Installation Requirements

### ⚠ WARNING

Rider and passenger safety depend upon the correct installation of this kit. If the procedure is not within your capabilities or you do not have the correct tools, have a Harley-Davidson dealer perform the installation. Improper installation of this kit could result in death or serious injury. (00308b)

#### NOTE

This instruction sheet references service manual information. A service manual for the year and model motorcycle is required for this installation and is available from:

- A Harley-Davidson dealer.
- H-D Service Information Portal, a subscription-based access available for most 2001 and newer models. For more information see *Frequently ask questions about subscriptions*.

## INSTALL

#### NOTE

Make sure that brake line is not contacting right wind deflector bracket.

1. Figure 2 Install wind deflector (3).
  - a. Slide into position on end cap (2).
  - b. Position left mounting bracket (4).
2. Install screws (1). Tighten.  
Torque: 7–9 N·m (62–80 **in-lbs**) *Long screws*
3. Repeat procedure for opposite side.

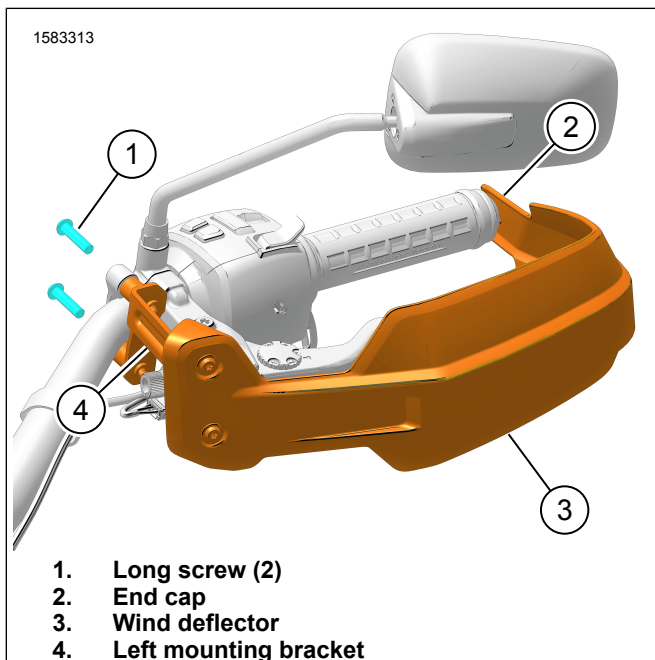


Figure 2. Wind Deflector (left shown)