



INSTRUCTIONS

J05400

2011-04-15



BLACK TOUR-PAK LATCH KIT

GENERAL

Kit Number

53000130

Models

For model fitment information, see the P&A Retail Catalog or the Parts and Accessories section of www.harley-davidson.com (English only).

▲ WARNING

Rider and passenger safety depend upon the correct installation of this kit. If the procedure is not within your capabilities or you do not have the correct tools, have a Harley-Davidson dealer perform the installation. Improper installation of this kit could result in death or serious injury. (00308b)

Additional Tools and Materials Required

A rivet tool (Part No. HD-39787A) is required for proper installation of this kit.

NOTE

This instruction sheet references service manual information. A service manual is available from a Harley-Davidson Dealer.

Kit Contents

See Figure 1 and Table 1.

INSTALLATION

NOTE

Be careful when drilling out the four catch rivets beneath the lid gasket seal. Compress the gasket during drilling to avoid damage from the drill bit or chuck, which could lead to seal damage.

Rear Latch

1. See Figure 1. Starting with rear latch, use a 5/32 in (4 mm) bit to drill the flared, inside ends off the rivets securing the catch (2) and backing plate (4). Remove and discard the catch, backing plate and rivets.
2. Place the new catch (2) and backing plate (4) in position and install the rivets (3) with the rivet tool. See the service manual for proper rivet tool operation.
3. Remove the stock screws (7), washers (A), spacer (5) and latch assembly (1). Save washers but discard the latch, screws and spacer.

4. Place a washer onto the threads of new rear latch screw (7). Place the new latch assembly (1) and spacer (5) in position (with open side of spacer toward Tour-Pak) and install with the screws and washers. Tighten to 2–3 N·m (20–25 in-lbs).

Front Latch

1. Repeat Steps 1 and 2 of the rear latch instructions.
2. Remove the stock screws (6), spacer (5), lock catch (B) and latch assembly (1). Discard the latch, screws and spacer.
3. Place the new latch assembly (1), spacer (5) (with open side of spacer toward Tour-Pak) and lock catch (B) in position and install with the screws (6). Tighten to 2–3 N·m (20–25 in-lbs).

SERVICE PARTS

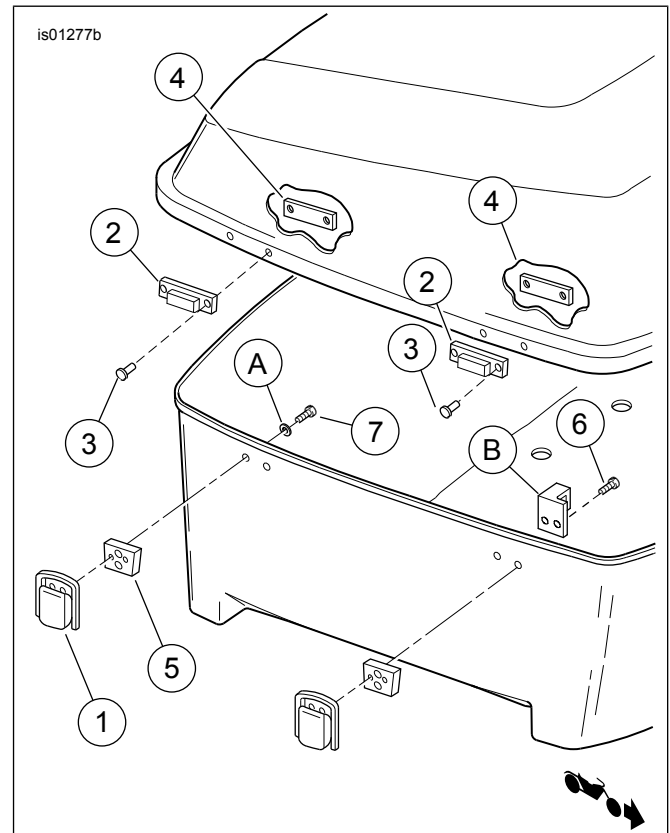


Figure 1. Service Parts: Black Tour-Pak Latch Kit

Table 1. Service Parts

Item	Description (Quantity)	Part Number
1	Latch assembly (2)	Not Sold Separately
2	Catch (rivet hasp) (2)	Not Sold Separately
3	Rivet, 5/16 in (8 mm) long (4)	90965-63
4	Backing plate (2)	90688-85
5	Spacer (2)	Not Sold Separately
6	Screw, 3/4 in long (2) (front latch)	3598
7	Screw, 9/16 in long (2) (rear latch)	3597
Items not included in kit:		
A	Original equipment flat washer (2)	
B	Original equipment lock catch	