



INSTRUCTIONS

J03680

2011-06-30



DYNA ACCESSORY SEAT KITS

GENERAL

Kit Number

51540-06, 51471-06, 51472-06, 52159-06, 52284-06, 52288-06, 52359-06, 52378-07

Models

For model fitment information, see the P&A Retail Catalog or the Parts and Accessories section of www.harley-davidson.com (English only).

Additional Parts Required

This kit requires the separate purchase of Bumper Kit (51653-06) and Passenger Footpeg Kit (50210-06) and passenger footpegs (purchased separately) if installed on a vehicle originally equipped with a solo seat.

⚠ WARNING

Do not install these seat kits on motorcycles that are not equipped with an appropriate grab strap and passenger footpegs. If footpegs and grab strap are not installed, passenger could fall from moving motorcycle or grab onto operator, causing loss of control and death or serious injury. (00410b)

⚠ WARNING

Rider and passenger safety depend upon the correct installation of this kit. If the procedure is not within your capabilities or you do not have the correct tools, have a Harley-Davidson dealer perform the installation. Improper installation of this kit could result in death or serious injury. (00308b)

NOTE

A service manual for your model motorcycle is available from a Harley-Davidson Dealer.

Kit Contents

See Figure 5 and Table 1.

INSTALLATION

NOTE

When performing the following installation procedures, avoid scratching painted surfaces (fender, tank, etc.) with tools or metal seat tabs.

For Vehicles with 2-up Seating

1. Remove the existing seat from motorcycle. Save the mounting screw for installation of the new seat.
2. Remove existing grab strap and all attaching hardware.

3. See Figure 1 for information on which holes to install grab strap through for your seat (use the hole shown dark in the illustration). Install new grab strap onto motorcycle at same location old grab strap was removed (re-use existing hardware). Tighten to 6.78–10.17 N·m (60–90 **in-lbs**). **For 2010 and Later FXDWG Models:** See Figure 4. Verify that the head of the flange screw (1) is clear of the wire guide (2) and is installed against the fender.
4. Position new seat on motorcycle. Be sure tongue on front of seat fully engages into the seat mounting slot between the gas tank bracket and frame.
5. Secure seat with stock screw.

⚠ WARNING

After installing seat, pull upward on seat to be sure it is locked in position. While riding, a loose seat can shift causing loss of control, which could result in death or serious injury. (00070b)

6. Pull seat up to verify it is securely installed.

For Vehicles with Solo Seat

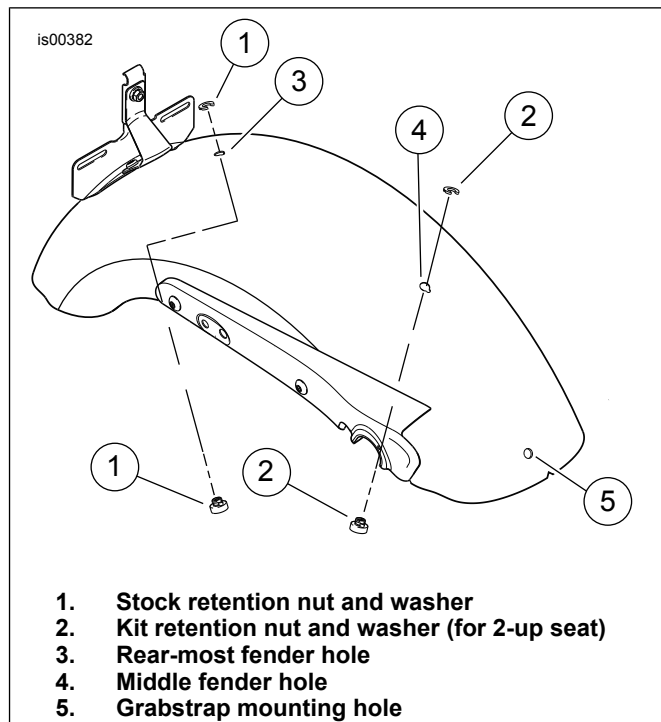
1. Remove the existing seat from the motorcycle. Save the mounting screw for installation of the new seat.
2. See Figure 2. Remove the plastic cap from the rear most fender hole (3).
3. Remove the seat retention nut and washer from the solo seat mounting hole.
4. See Figure 3. A cable strap may be used as an installation aid to remove and install the retention nut and washer. Place the retention nut (1) over the cable strap (3) so the wide end of the nut rests on the eye of the cable strap. Thread the cable strap up under the fender and through the rearmost fender hole. Pull up on the cable strap to hold the nut snug against the underside of the fender.
5. With the rib on the retention nut seated into the notch in the fender hole, slide the retention washer (2) into place from the rear. This will lock the retention nut in place. Remove the cable strap.
6. Obtain the grab strap, flange screw, seat retention nut, washer, and hex nut from the kit.



7. Install the flange screw from the inside of the fender into the grab strap mounting hole in the fender (Figure 2, Item 5). Secure the screw with the plastic seat retention nut. **For 2010 and Later FXDWG Models:** See Figure 4. Verify that the head of the flange screw (1) is clear of the wire guide (2) and is installed against the fender.
8. Install new passenger strap from kit according to the diagram in Figure 1. Install washer and nut and tighten nut to 6.78–10.17 N·m (60–90 in-lbs).

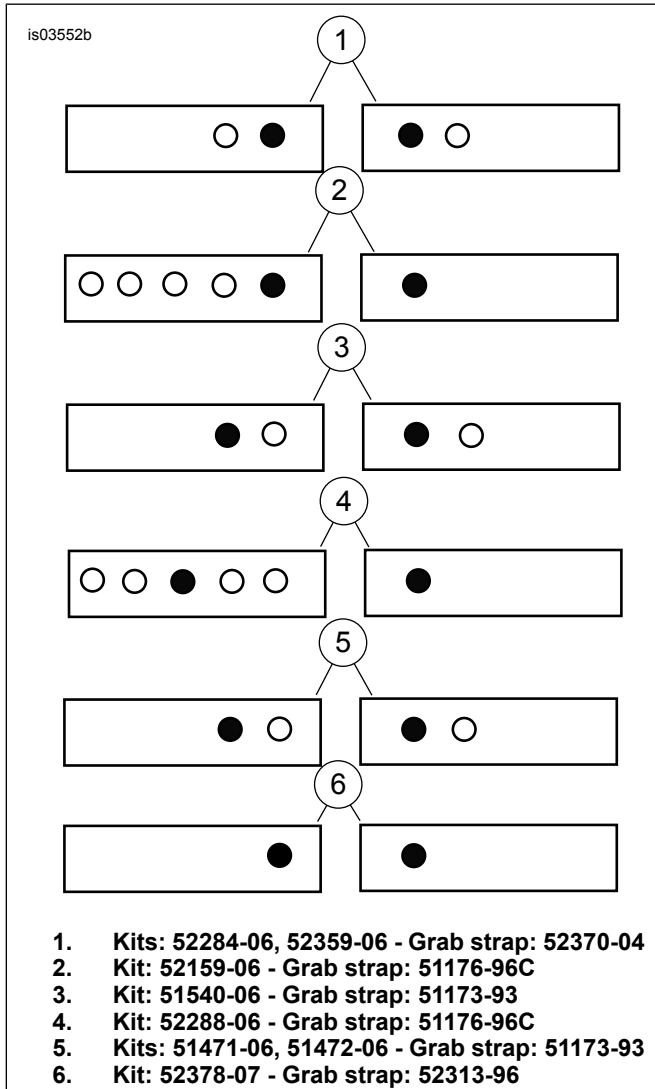
▲ WARNING

After installing seat, pull upward on seat to be sure it is locked in position. While riding, a loose seat can shift causing loss of control, which could result in death or serious injury. (00070b)



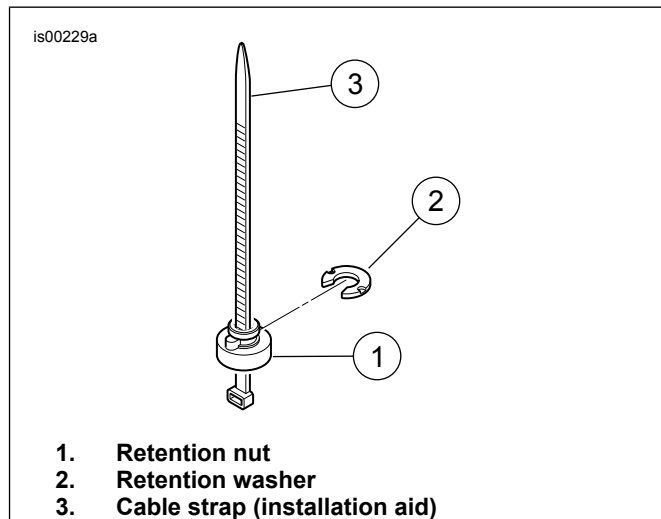
1. Stock retention nut and washer
2. Kit retention nut and washer (for 2-up seat)
3. Rear-most fender hole
4. Middle fender hole
5. Grabstrap mounting hole

Figure 2. Retention Nut Location



1. Kits: 52284-06, 52359-06 - Grab strap: 52370-04
2. Kit: 52159-06 - Grab strap: 51176-96C
3. Kit: 51540-06 - Grab strap: 51173-93
4. Kit: 52288-06 - Grab strap: 51176-96C
5. Kits: 51471-06, 51472-06 - Grab strap: 51173-93
6. Kit: 52378-07 - Grab strap: 52313-96

Figure 1. Grab Strap Installation



1. Retention nut
2. Retention washer
3. Cable strap (installation aid)

Figure 3. Install Retention Nut

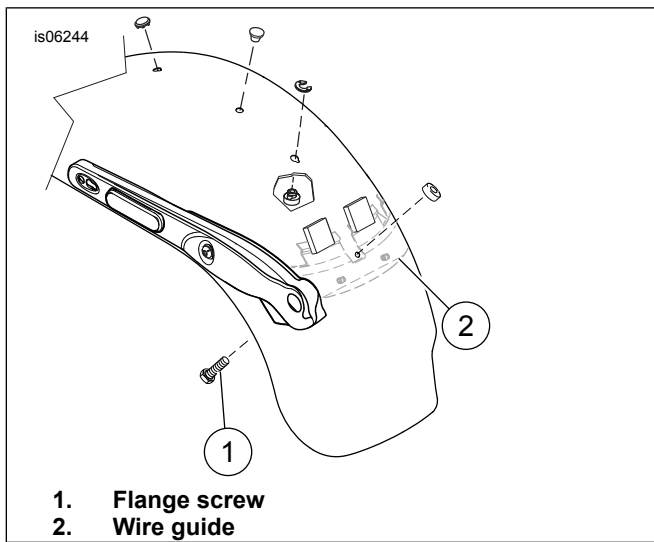


Figure 4. Grab Strap Installation - FXDWG Models

SERVICE PARTS

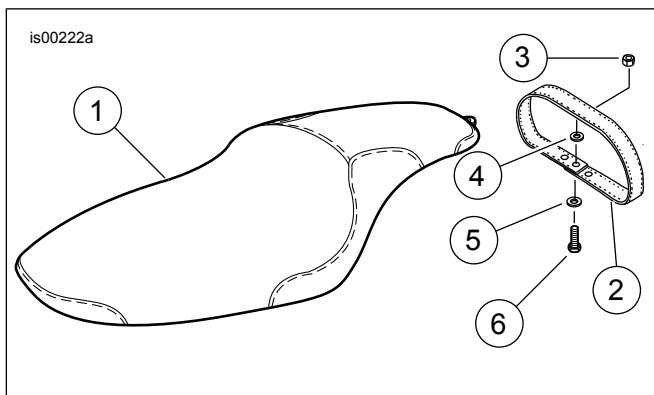


Figure 5. Service Parts: Dyna Accessory Seats

Table 1. Service Parts

Item	Description (Quantity)	Part Number
1	Seat (generic style shown)	Not Sold Separately
2	Grab strap in kit 51471-06	51173-93
	Grab strap in kit 51472-06	51173-93
	Grab strap in kit 51540-06	51173-93
	Grab strap in kit 52159-06	51176-96C
	Grab strap in kit 52284-06	52370-04
	Grab strap in kit 52288-06	51176-96C
	Grab strap in kit 52359-06	52370-04
	Grab strap in kit 52378-07	52313-96
	Kit 52359-06 and 52378-07 includes leather dressing	Not Sold Separately
3	Nut, hex	7792
4	Washer, plain	6036
5	Nut, retention	7891
6	Screw, hex head, flange	3574

NOTE: Items 3-6 are stock on vehicles with 2-up seating