



INSTRUCTIONS

J03166

2024-01-23



SHIFTER PEG KIT

GENERAL INFORMATION

Table 1. General Information

Kits	Suggested Tools	Skill Level ⁽¹⁾
33946-05, 33600008, 33600075, 33600154, 33600256, 33600257, 33600295, 33600303, 33600357, 33600383, 33600384, 33600411, 33600412	Safety Glasses, Torque Wrench	

(1) Tightening to torque value or other moderate tools and techniques required

KIT CONTENTS

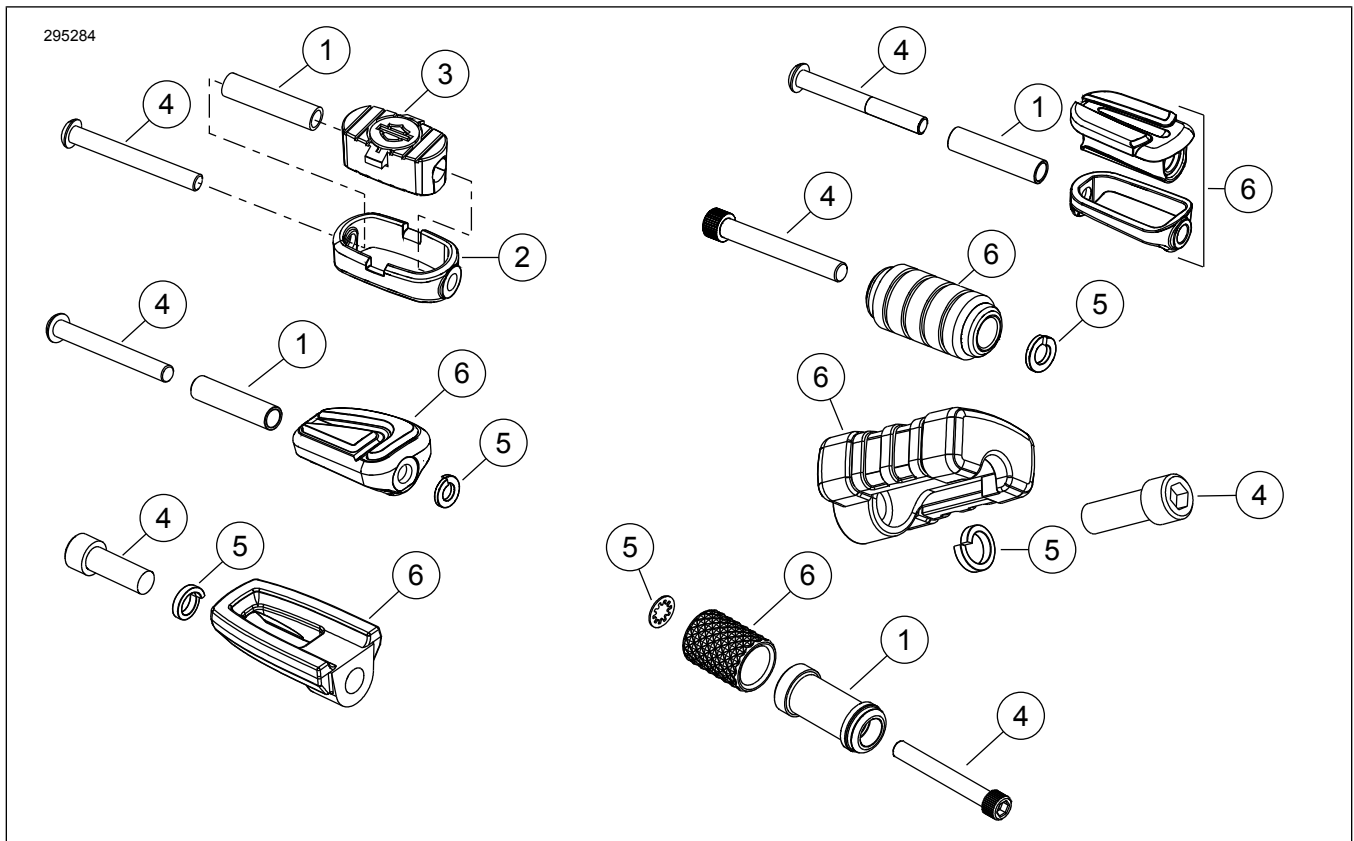


Figure 1. Kit Contents: Shifter Peg Kit

Table 2. Kit Contents: Shifter Peg Kit

<input checked="" type="checkbox"/> Verify that all contents are present in the kit before installing or removing items from vehicle.					
<input type="checkbox"/>	Item	Qty	Description	Part No.	Notes
<input type="checkbox"/>	1	1	Spacer	50784-07	Kit 33946-05
<input type="checkbox"/>				Not sold separately	Kit 33600383, 33600384
<input type="checkbox"/>					
<input type="checkbox"/>	2	1	Cover	33947-05	Kit 33946-05
<input type="checkbox"/>	3	1	Tread	Not sold separately	Kit 33946-05
<input type="checkbox"/>	4	1	Screw	10200594	Kit 33946-05
<input type="checkbox"/>				94545-03	Kit 33600008
<input type="checkbox"/>				4196	Kit 33600075
<input type="checkbox"/>				10500108	Kits 33600256, 33600383
<input type="checkbox"/>				10500107	Kits 33600257, 33600384, 33600411, 33600412
<input type="checkbox"/>				10201005	Kits 33600295, 33600303, 33600357
<input type="checkbox"/>				10200853	Kit 33600154
<input type="checkbox"/>	5	1	Lockwasher	7041	Kits 33600075, 33600154, 33600256
<input type="checkbox"/>				7042	Kits 33600295, 33600303
<input type="checkbox"/>				10300230	Kit 33600357
<input type="checkbox"/>				7127	Kit 33600383
<input type="checkbox"/>				7155	Kits 33600257, 33600384
<input type="checkbox"/>	6	1	Shifter peg assembly	33600007	Kit 33600008
<input type="checkbox"/>				33600056	Kit 33600075
<input type="checkbox"/>				33600098	Kit 33600154
<input type="checkbox"/>				33600251	Kit 33600256
<input type="checkbox"/>				33600244	Kit 33600257
<input type="checkbox"/>				Not sold separately	Kits 33600295, 33600303
<input type="checkbox"/>				33600369	Kit 33600357
<input type="checkbox"/>				Not sold separately	Kits 33600383, 33600384

GENERAL

Contact Harley-Davidson Customer Support Center at 1-800-258-2464 (U.S. only) or 1-414-343-4056.

Models

For model fitment information, see the Parts and Accessories (P&A) Retail Catalog or the Parts and Accessories section of www.harley-davidson.com.

Verify that the most current version of the instruction sheet is used. It is available at: h-d.com/isheets

Installation Requirements

⚠ WARNING

Rider and passenger safety depend upon the correct installation of this kit. If the procedure is not within your capabilities or you do not have the correct tools, have a Harley-Davidson dealer perform the installation. Improper installation of this kit could result in death or serious injury. (00308b)

REMOVE

1. Remove existing shifter peg.

INSTALL

1. **Kits 33946-05, 33600008:** Assemble shifter peg, if necessary.
 - a. Insert spacer tube (1) in tread (3).
 - b. Install tread with spacer tube insert into chrome cover (2).
 - c. Verify that the tread is oriented properly.
2. **Kits 33946-05, 33600008:**
 - a. Install shifter peg assembly (6) and screw (4) to shift lever. Do not tighten.
3. **Kits 33600075, 33600154, 33600256, 33600257, 33600295, 33600303, 33600357:**
 - a. Install shifter peg assembly (6), screw (4) and washer (5).
 - b. Position washer between shifter peg and shift lever. Do not tighten.
4. **Kits 33600294, 33600303:** Place washer under bolt head.
5. Rotate shifter peg (6) to desired orientation.
6. Tighten screw (4).
Torque: 16.3–18.9 N·m (144–167 in-lbs)