



INSTRUCTIONS

J06345

2017-07-31



DETACHABLE LOCKING LATCH KITS

GENERAL

Kit Numbers

52300513, 52300514, 52300518, 52300519

Models

For model fitment information, see the P&A retail catalog or the Parts and Accessories section of www.harley-davidson.com (English only).

Installation Requirements

⚠ WARNING

Rider and passenger safety depend upon the correct installation of this kit. If the procedure is not within your capabilities or you do not have the correct tools, have a Harley-Davidson dealer perform the installation. Improper installation of this kit could result in death or serious injury. (00308b)

Kit Contents

Refer to Figure 2 and Table 1.

PREPARATION

This kit converts the right latch to a locking latch to help prevent theft of the detachable accessory.

1. See Figure 1. Remove detachable accessory from motorcycle.
 - a. Pull both detent levers (3) rearward and upward.
 - b. Each detent will stop and remain in the unlatched position.
 - c. Remove accessory from motorcycle.
2. Release the right latch.
 - a. Pull detent lever rearward and allow latch to return to latched position.

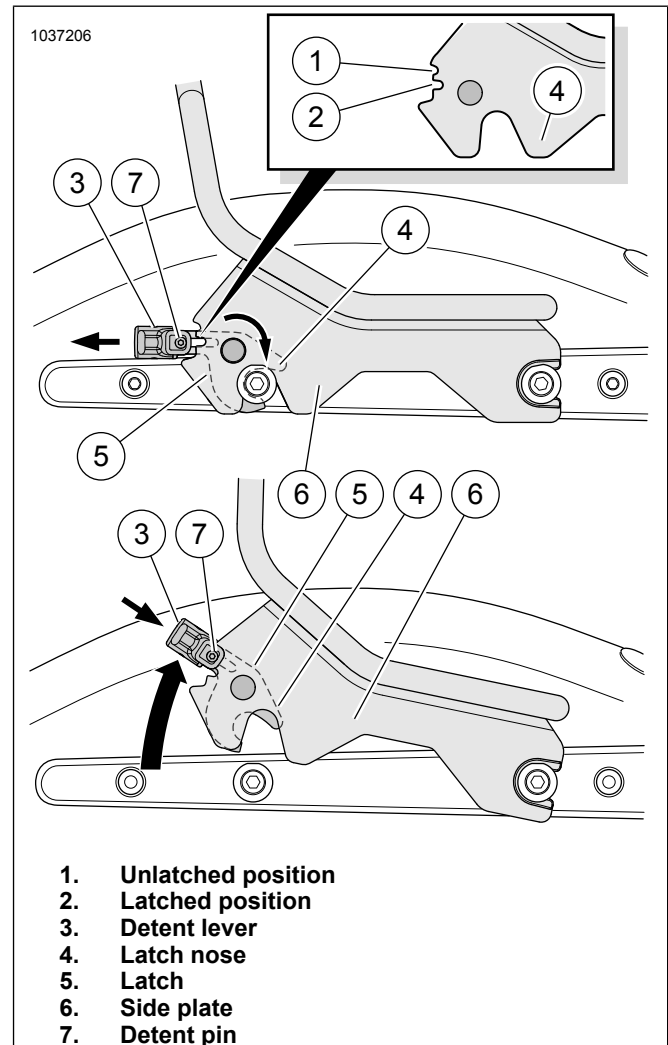


Figure 1. Detachable Accessory Removal

LATCH REPLACEMENT

NOTE

The locking latch kit replaces the original right latch only.

1. See Figure 2. Remove right latch from detachable accessory.
 - a. Remove screw (6).
 - b. Remove original latch assembly and washers.
 - c. Discard original parts.

2. Install **new** locking latch.
 - a. Place **new** spring washer (1) and latch assembly (2) on pivot stud (A).
 - b. **Painted detachable frame:** Place **new** small washer (4) against end of pivot stud.

NOTE

Chrome detachable frame does not require small washer (4).

- c. Install **new** flat washer (5) and **new** screw (6).
Torque: 3.4–4.5 N·m (30–40 in-lbs)
3. Return to unlatched position.
 - a. If lock button (B) has been pushed in, unlock using the provided key.
 - b. Pull back on lever while raising to the disengaged position.

- b. When fully engaged, press lock button (B). Detachable is now secure.
 - c. Unlock using provided key to remove accessory.

SERVICE PARTS

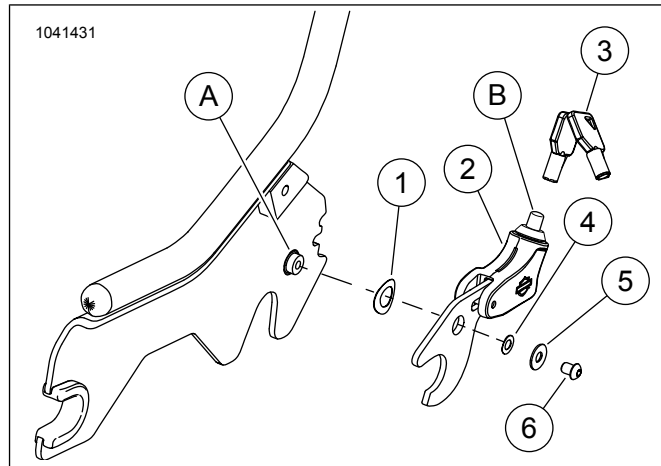


Figure 2. Service Parts, Detachable Locking Latch Kits

OPERATION

1. Install detachable accessory onto motorcycle.
 - a. As the rear of the accessory is lowered into place, the latches will automatically engage.

Table 1. Service Parts

Item	Description (Quantity)	Part Number
1	Spring washer	6828
2	Locking latch assembly	Not sold separately
3	Keys	Not sold separately
4	Small washer	6912
5	Flat washer	6827
6	Screw	4569
Items mentioned in text		
A	Pivot stud	
B	Lock button	