



INSTRUCTIONS

J05061

2017-08-28



H-D DETACHABLES AIR WING TWO-UP LUGGAGE RACK

GENERAL

Kit Number

54283-09A, 50300008A

Models

For model fitment information, see the P&A retail catalog or the Parts and Accessories section of www.harley-davidson.com (English only).

Installation Requirements

Separate purchase of additional parts or accessories may be required for proper installation of this H-D® Detachables™ Kit. See the P&A retail catalog or the Parts and Accessories section of www.harley-davidson.com (English only) for a list of required parts or accessories.

For fitment issues, adjust your docking hardware according to the I-sheet included in the docking hardware kit.

⚠ WARNING

Rider and passenger safety depend upon the correct installation of this kit. If the procedure is not within your capabilities or you do not have the correct tools, have a Harley-Davidson dealer perform the installation. Improper installation of this kit could result in death or serious injury. (00308b)

⚠ WARNING

Do not exceed luggage rack weight capacity. Too much weight can cause loss of control, which could result in death or serious injury. (00373a)

NOTE

Luggage Rack capacity is 4.5 kg (10 lb)

Kit Contents

See Figure 3 and Table 1.

INSTALLATION

1. Unless already on the vehicle, install a docking point kit using the instructions in **that** kit.
2. See Figure 1. While standing behind the motorcycle, place the rack side plate notches (2, with bushings in place) onto the forward docking points (4). Make sure the notch bushings seat fully into the forward docking points.
3. Position the rotary latches (3) over the rear docking points.

4. See Figure 2. Check to be sure the rotary latches (1) fit into the neck of the rear docking points (2) as shown. This may require some gentle squeezing or spreading of the side plates.

NOTE

You must hear a **CLICK** to verify that the rotary latch is completely engaged.

The docking points must be fully engaged. See Figure 1 and Figure 2 for correct engagement. If docking points are not fully engaged rack could shift position or come loose during operation.

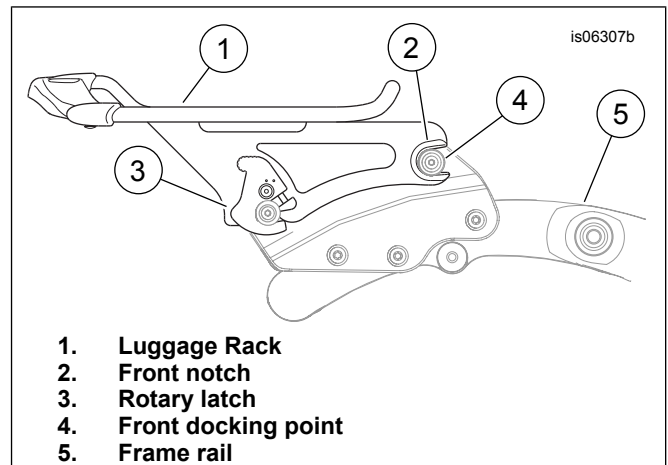


Figure 1. Luggage Rack

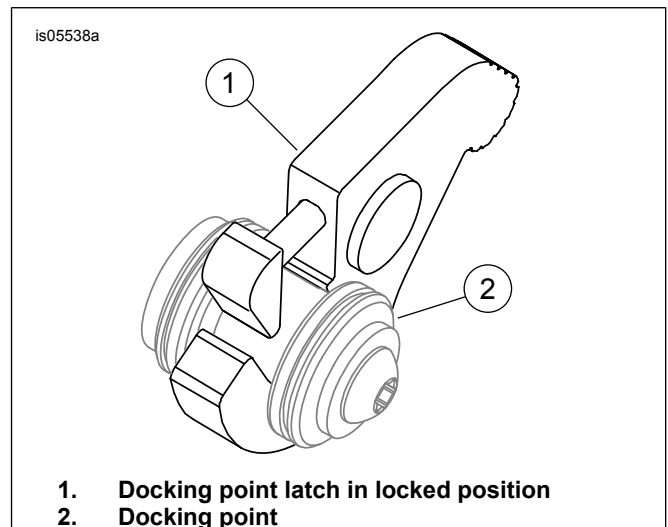


Figure 2. Latch and Docking Point

5. Push the rear of the side plates downward and close the rotary latches by pulling the latch lever as far back as it will go. You will hear a **CLICK** when the latch is in place. **If the latch does not easily close, do not force.** Check the rack alignment again, as described in Steps 2 through 4.
6. To remove the luggage rack, press the release button on each side and push the rotary latch levers forward. Carefully lift the rear of the side plates up and pull the side plate notches out of the forward docking points.

SERVICE PARTS

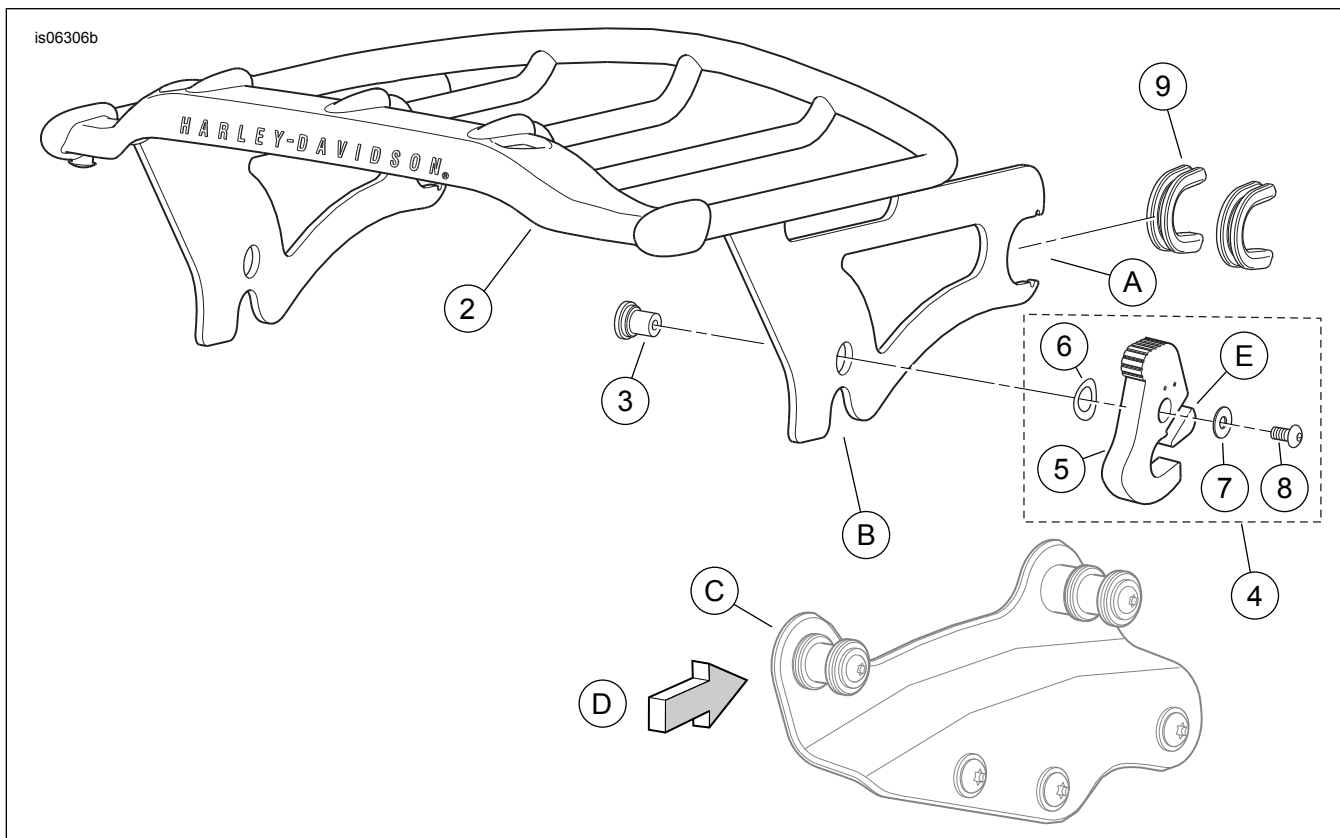


Figure 3. Service Parts, H-D Detachables Air Wing Two-Up Luggage Rack

Table 1. Service Parts

Item	Description (Quantity)	Part Number
1	Detachable two-up Air Wing luggage rack assembly (includes items 2, 3, 4)	Not sold separately
2	• Rack assembly	Not sold separately
3	• Pivot stud (2)	Not sold separately
4	• Rotary latch kit (2) (includes items 5 through 8)	50300108
5	• Rotary latch assembly	Not sold separately
6	• Wave washer	6828
7	• Flat washer, stainless steel	6827
8	• Screw, button head	2957
9	Bushing (2)	52682-09
Items mentioned in text, but not included in kit:		
A	Front Air Wing luggage rack notch (2)	
B	Rear luggage rack notch (2)	
C	Four-point docking plate assembly (2)	
D	To front of vehicle	
E	Rotary latch release button (2)	