



INSTRUCTIONS

J03227

2019-01-15



SKULL FOOTPEG KIT

GENERAL

Kit Number

50370-04, 50501288

Models

This kit fits all Harley-Davidson motorcycles equipped with "male mount" style footpeg supports.

Kit Contents

See Figure 1, Figure 2 and Table 1

⚠ WARNING

Rider and passenger safety depend upon the correct installation of this kit. If the procedure is not within your capabilities or you do not have the correct tools, have a Harley-Davidson dealer perform the installation. Improper installation of this kit could result in death or serious injury. (00308b)

INSTALLATION

NOTE

A Service Manual for your motorcycle is available at any Harley-Davidson Dealer.

1. See Figure 1. Remove the locknuts and screws (some models may have a pin (1) and retaining ring (2) installed) that hold the existing footpegs in place. Save all hardware for installation of the new footpegs.
2. Remove the existing footpegs along with the spring washers (3). Save the spring washers for later installation.

NOTE

When performing Step 3, make sure the spring washer (3) is positioned inside of the footpeg support with the square edge towards the inside of the support as shown in Figure 2.

3. See Figure 2. Install the new footpegs in the same manner as the old footpegs were installed. Place a spring washer (3), along with the mount end of the footpeg, inside the slots of the footpeg supports.
4. Secure each footpeg and spring washer (3) with the screw (4) and locknut (2) removed earlier. Tighten.
Torque: 24.4–30 N·m (18–22 ft-lbs) *Locknuts*

⚠ WARNING

Position footpegs so rider can operate foot controls without interference. Failure to have full access to foot controls can cause loss of control, which could result in death or serious injury. (00313a)

5. See Figure 1. For each footpeg, loosen the adjusting screw (4) in the recessed hole until the footpeg rotates. Position the footpeg as desired. Tighten.

Torque: 29 N·m (21 ft-lbs) *Adjustment screw*

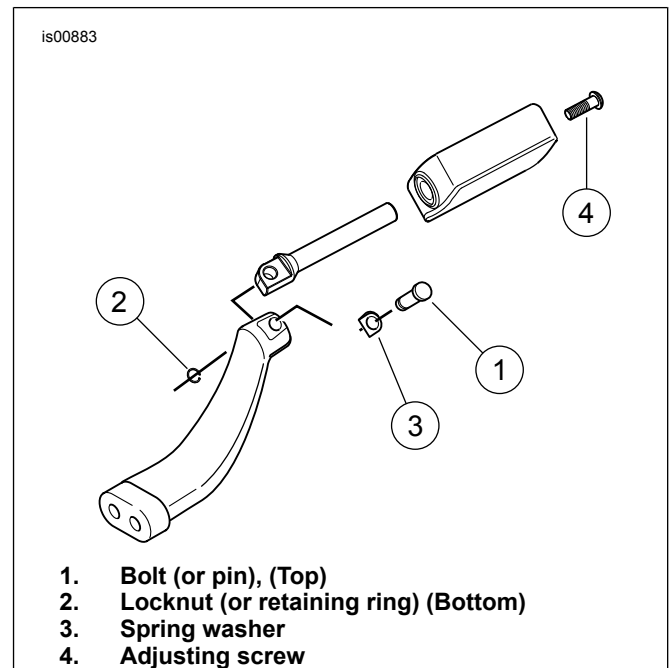


Figure 1. Footpeg Removal/Installation

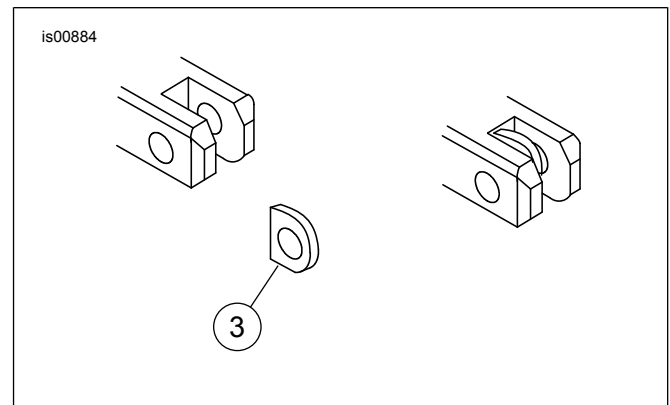


Figure 2. Footpeg Spring Washer Installation

SERVICE PARTS

Table 1. Service Parts Skull Footpeg

Kit	Item	Description (Quantity)	Part Number
50370-04		Assembly, footpeg (left)	50407-04
		Assembly, footpeg (right)	50408-04
50501288		Assembly, footpeg rider, skull (left) (matte black)	Not Sold Separately
		Assembly, footpeg rider, skull (right) (matte black)	Not Sold Separately
Items 1-3 mentioned in text, but not included in kit.			
	1	Bolt (or pin), (top)	Not Sold Separately
	2	Lock nut (or retaining ring), (Bottom)	Not Sold Separately
	3	Spring washer	Not Sold Separately
	4	Adjusting screw (black)	10200854