



# INSTRUCTIONS


J06278

2024-01-23



## TIMER COVER KIT

Table 1. General Information

Kits	Suggested Tools	Skill Level <sup>(1)</sup>
25600064, 25600065, 25600066, 25600067, 25600068, 25600081, 25600085, 25600097, 25600098, 25600099, 25600105, 25600109, 25600115, 25600135, 25600138, 25600142, 25600145, 25600148, 25600150, 25600152, 25600156, 25600171, 25600172, 25600175, 25600176, 25600165, 25600166	Safety Glasses, Torque Wrench	

(1) Tightening to torque value or other moderate tools and techniques required

### KIT CONTENTS

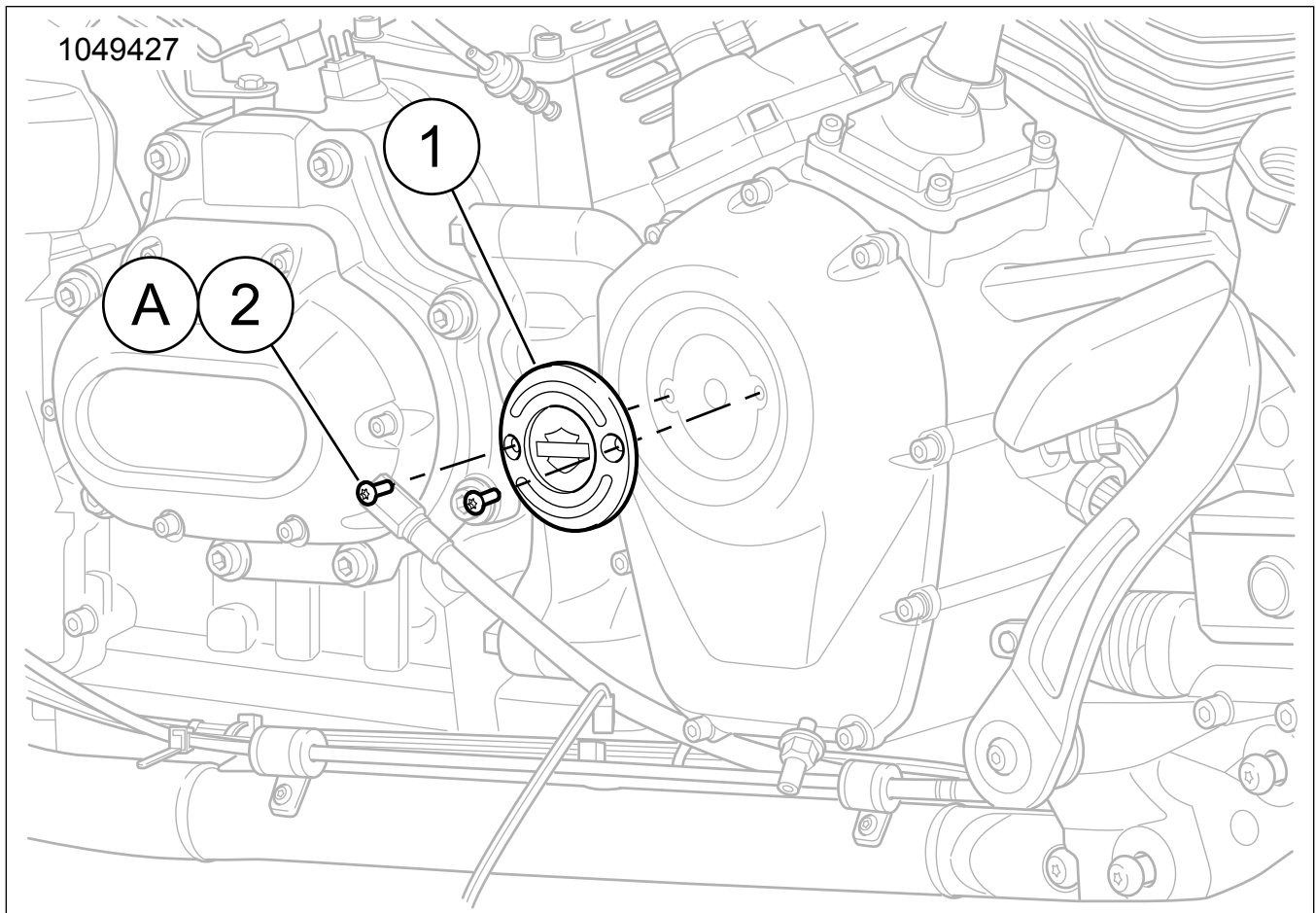


Figure 1. Kit Contents: Timer Cover Components

**Table 2. Kit Contents: Timer Cover Components**

<input checked="" type="checkbox"/>	Item	Qty	Description	Part No.	Notes
<input type="checkbox"/>	1	1	Timer cover	Not sold separately	
<input type="checkbox"/>	2	2	Screw, TORX®, chrome Kits: 25600065, 25600066, 25600067, 25600068, 25600097, 25600099, 25600115, 25600138, 25600150	9462	
<input type="checkbox"/>		2	Screw, TORX®, black Kits: 25600081	10200434	
<input type="checkbox"/>		2	Screw, TORX®, black Kits: 25600098, 25600105, 25600109, 25600145, 25600148, 25600165, 25600171	10200593	
<input type="checkbox"/>		2	Screw, TORX®, stainless steel Kit: 25600085	10200614	
<input type="checkbox"/>		2	Screw, TORX®, black Kit: 25600135	10200812	
Items mentioned in text, but not included in kit:					
<input checked="" type="checkbox"/>	A		Screw (OE) Kits: 25600064, 25600142, 25600152, 25600156, 25600166, 25600175, 25600176	68120-00	

**NOTE**

Verify all contents are present in the kit before installing or removing items from vehicle.

**GENERAL**

**Models**

For model fitment information, see the P&A Retail Catalog or the Parts and Accessories section of [www.harley-davidson.com](http://www.harley-davidson.com) (English only).

Verify that the most current version of the instruction sheet is used. It is available at: [www.harley-davidson.com/isheets](http://www.harley-davidson.com/isheets)

Contact Harley-Davidson Customer Support Center at 1-800-258-2464 (U.S. only) or 1-414-343-4056.

**Installation Requirements**

**▲ WARNING**

Rider and passenger safety depend upon the correct installation of this kit. If the procedure is not within your capabilities or you do not have the correct tools, have a Harley-Davidson dealer perform the installation. Improper installation of this kit could result in death or serious injury. (00308b)

**REMOVE**

1. See Figure 1. Remove Original Equipment (OE) screws. Discard.
  - a. **Kits 25600064, 25600142, 25600152, 25600156, 25600166, 25600172, 25600175, 25600176:** Retain OE screws.
2. Remove timer cover. Discard.

**INSTALL**

1. Place **new** timer cover (1) in position and secure with screws (2).
  - a. **Kit 25600064, 25600142, 25600152, 25600156, 25600166, 25600172, 25600175, 25600176:** Secure timer cover using OE screws (A).
2. Secure screws. Tighten.  
Torque: 1.7–2.3 N·m (15–20 in-lbs)

**SPECIAL CARE INSTRUCTIONS**

**Kit 25600138:** Bare Aluminum Wheel Protectant Wipes Part No. 93600063 can be applied to "RideFree" text for added corrosion protection.

**NOTE**

To prevent damage to the chrome surface, do not use any detergents, chemical solvents, polishes or abrasive cleaning agents.

To keep this surface in best condition, lightly wipe with a MICROFIBER DETAILING CLOTH (94663-02) using clear water or a mild Harley-Davidson cleaner such as:

- SUNWASH® BIKE SOAP (93600023)
- HARLEY BUG REMOVER (93600122)
- GLOSS DETAILER (93600123)

**NOTE**

These cleaners are available from a Harley-Davidson dealer.

**CARE AND CLEANING GUIDELINES FOR BRASS PARTS**

**Cleaning Instructions**

1. Verify part is dry and free of dirt or debris.
2. Place a small amount of Harley-Davidson® Chrome Clean & Shine on a microfiber cloth or detailing swab.

3. Using light pressure, rub the brass parts with the microfiber cloth. For hard to reach places or grooves, use the detailing swab.

### **Obtaining a Bright Finish**

Brass parts will naturally age and darken with time. If a bright brass finish is preferred, place some Harley-Davidson Bare Metal Polish on a microfiber cloth and lightly rub on the brass parts until they reach the desired brightness.

### **Slowing the Natural Aging Process**

To slow the aging process of the brass parts, place a small amount of Harley-Davidson Glaze Poly Sealant on a microfiber cloth or detailing swab, and lightly rub on the parts until the sealant has soaked in.

### **Precautions**

- Use of non-recommended cleaning, polishing and protective products will result in the removal of the aged finish from the brass parts.
- Prolonged contact with certain items (hands, gloves, boots, dust, etc.) and exposure to the elements will also alter all surface finishes and is NOT considered a defect.
- Avoid cleaning parts with abrasive and aggressive chemicals and abrasive cleaning pads.
- Avoid ammoniated products and bleach.
- Prolonged exposure to water will alter the brass finish. Wipe down parts after contact with water.
- Excess rubbing may lighten the surface appearance of the part.