



# INSTRUCTIONS

J00537

2014-06-30



## SPORTSTER H-D DETACHABLES SIDEPLATE KIT

### GENERAL

#### Kit Numbers

53544-95A, 53545-95A, 53609-01A

#### Models

For model fitment information, see the P&A retail catalog or the Parts and Accessories section of [www.harley-davidson.com](http://www.harley-davidson.com) (English only).

#### Installation Requirements

Separate purchase of extra parts or accessories may be required for proper installation of this H-D® Detachables™ Kit. See the P&A retail catalog or the Parts and Accessories section of [www.harley-davidson.com](http://www.harley-davidson.com) (English only) for a list of required parts or accessories.

Before installation of this Detachable Sideplate Kit, the correct Docking Hardware Kit and Directional Relocation Kit for this model motorcycle must be installed.

A sissy bar upright is needed.

Loctite® 262 Threadlocker and Sealant - Red (H-D Part Number 99759-99) is required for the proper installation of this kit.

#### ⚠ WARNING

Rider and passenger safety depend upon the correct installation of this kit. If the procedure is not within your capabilities or you do not have the correct tools, have a Harley-Davidson dealer perform the installation. Improper installation of this kit could result in death or serious injury. (00308b)

#### ⚠ WARNING

Do not exceed luggage rack weight capacity. Too much weight can cause loss of control, which could result in death or serious injury. (00373a)

#### Kit Contents

See Figure 5 and Table 1.

### INSTALLATION

#### Sissy Bar Installation to Sideplates

1. See Figure 5. Insert the legs of the sissy bar upright (A). Insert all the way into the channels (B) of the sideplates (1 and 2) as shown.
2. Apply a few drops of Loctite 262 - Red to the threads of the button head screws (4). Thread the screws into the holes in the sideplate channels. Tighten to 11–14 N·m (96–120 in-lbs).

#### Sissy Bar and Sideplate Installation to Docking Points

1. See Figure 1. Standing behind the motorcycle. Place the left side and right side front sideplate notches (2) into the front docking points (4) on the fender supports (3). See Figure 2 for views of correct and incorrect sideplate engagement.

#### NOTE

Failure to align the front docking points and sideplates may result in damage to the rear docking points.

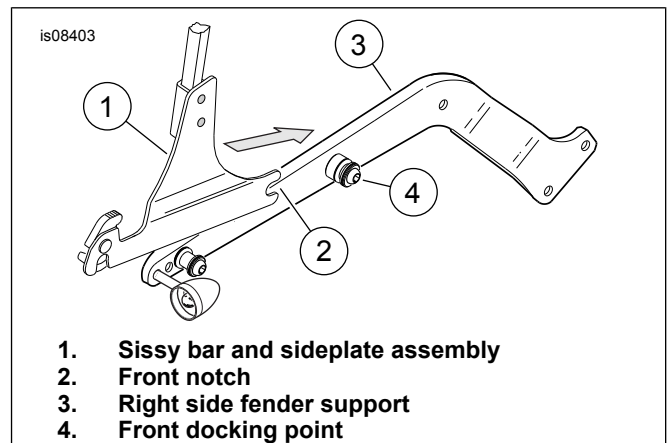


Figure 1. Insert Front Notches Into Front Docking Points

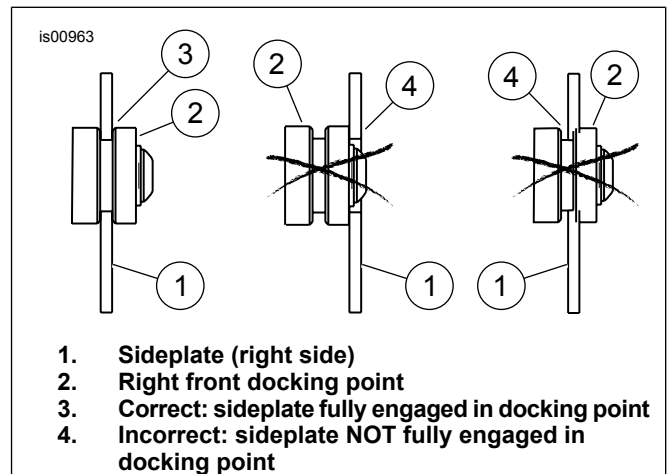
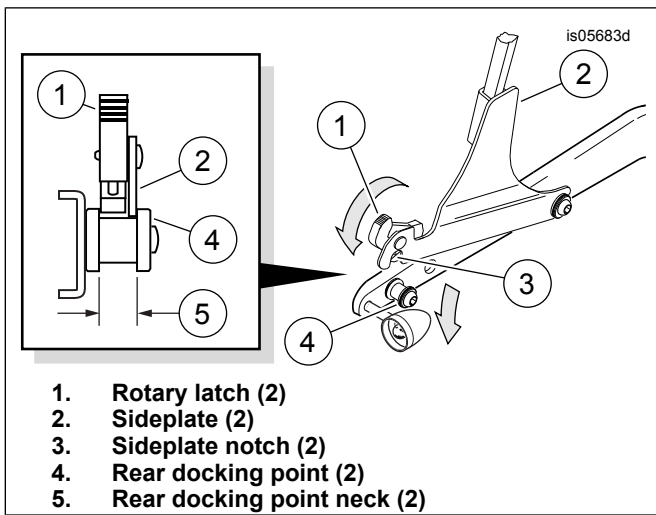


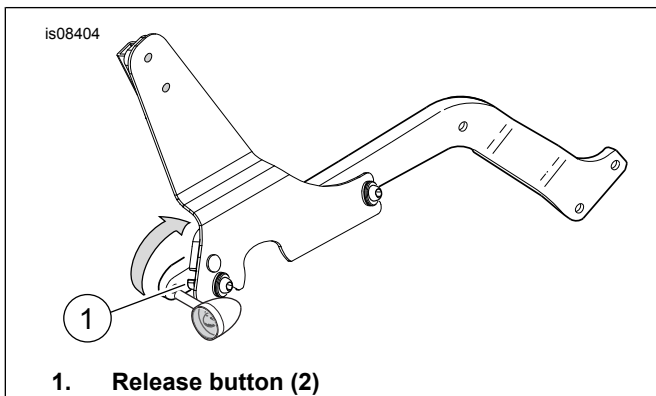
Figure 2. Sideplate Fit to Front Docking Points





**Figure 3. Lower Rear Notches Onto Rear Docking Points**

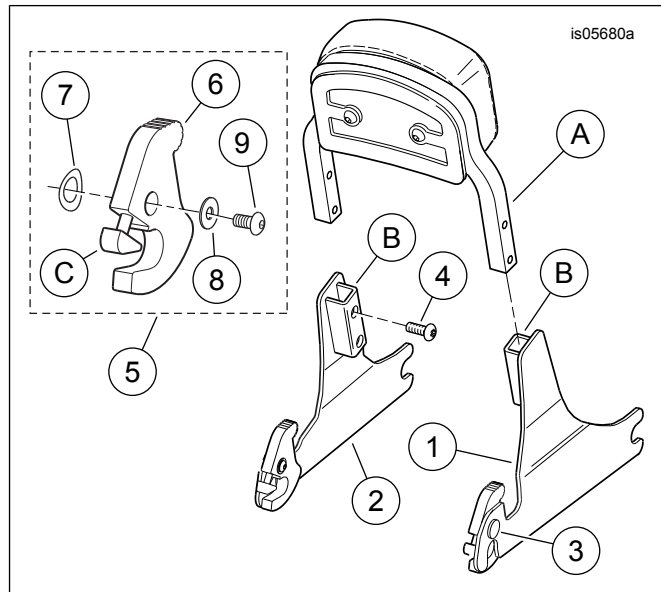
2. See Figure 3. Position the rotary latches (1) over the rear docking points (4). Pull the rotary latches (1) back to their rearmost position as shown. Verify the sideplate notches (3) and latches fit into the neck (5) of the rear docking points as shown. This may require some gentle squeezing or spreading of the sideplates (2).
3. Push the rear of the sideplates downward. Close the rotary latches by pressing the latch levers as far forward as they go (see Figure 4 ). A "CLICK" is heard when the latches are in place. If the latches do not easily close, do not force. Check the sissy bar alignment again, as described in steps 3 and 4.



**Figure 4. Close Rotary Latches**

4. To remove the sissy bar and sideplate assembly, press the release button (1) on each side and pull the latch levers back. Carefully lift the rear of the sideplates up. Pull the sissy bar assembly out of the front docking points.

## Service Parts



**Figure 5. Service Parts, H-D Detachables Sideplate Kit**

**Table 1. Service Parts**

| Item                                                     | Description (Quantity)                                   | Part Number         |
|----------------------------------------------------------|----------------------------------------------------------|---------------------|
| 1                                                        | Sideplate, right                                         | Not sold separately |
| 2                                                        | Sideplate, left                                          | Not sold separately |
| 3                                                        | Pivot stud (2)                                           | Not sold separately |
| 4                                                        | Screw, button head (4)                                   | 3793A               |
| 5                                                        | Rotary latch kit (2)<br>(both include items 6 through 9) | 50300108            |
| 6                                                        | • Rotary latch assembly                                  | Not sold separately |
| 7                                                        | • Wave washer                                            | 6828                |
| 8                                                        | • Flat washer, stainless steel                           | 6827                |
| 9                                                        | • Screw, button head                                     | 2957                |
| <b>Items mentioned in text, but not included in kit.</b> |                                                          |                     |
| A                                                        | Sissy bar upright                                        |                     |
| B                                                        | Channel in sideplate                                     |                     |
| C                                                        | Rotary latch release button                              |                     |