



# INSTRUCTIONS

J06475

2019-01-15



## BRAKE PEDAL PAD KIT

### GENERAL

#### Kit Number

50600318, 50600311, 50600345 (large pedal kits)

50600317, 50600313, 50600344 (small pedal kits)

#### Models

For model fitment information, see the P&A Retail Catalog or the Parts and Accessories section of [www.harley-davidson.com](http://www.harley-davidson.com) (English only).

#### ⚠ WARNING

Rider and passenger safety depend upon the correct installation of this kit. If the procedure is not within your capabilities or you do not have the correct tools, have a Harley-Davidson dealer perform the installation. Improper installation of this kit could result in death or serious injury. (00308b)

#### Kit Contents

See Figure 1 and Table 1.

### REMOVE

1.

#### NOTE

If rubber rings are present they do not need to be removed from the pedal pad.

Remove the previously installed brake pedal cover from the foot brake lever.

### INSTALL

1. See Figure 1. Align and slide the new brake pedal pad over the end of the foot brake lever, fitting the rings, if equipped around both the pad and brake lever end.
2. Assemble the plain washer and screw.
3. Thread the screw through the hole in the brake lever and into the back of the pad.
4. Tighten the screw.

Torque: 26 N·m (19 ft-lbs)

### SERVICE PARTS

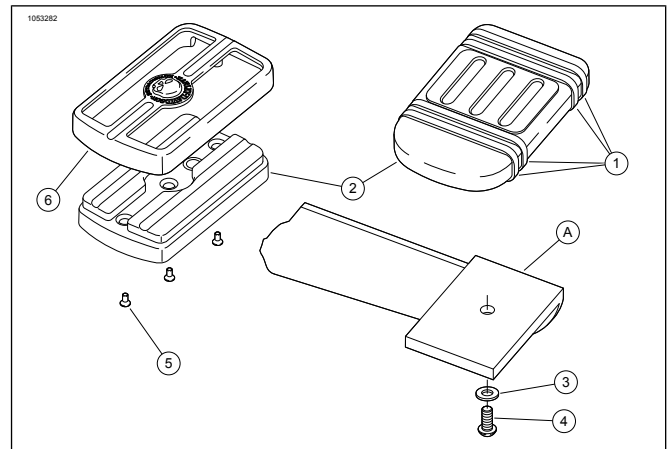


Figure 1. Service Parts: Brake Pedal Pads

**Table 1. Service Parts Table**

<b>Kit</b>	<b>Item</b>	<b>Description (Quantity)</b>	<b>Part Number</b>
50600318	1	Rubber ring (4)	11537
	2	Brake pedal pad, large, Edge Cut	Not Sold Separately
	3	Plain washer 5/16 in.	6333
	4	Button head screw	3540
50600317	1	Rubber ring, 3/16 in. (2)	11539
	2	Brake pedal pad, small, Edge Cut	Not Sold Separately
	3	Plain washer, 5/16 in.	6333
	4	Button head screw	3540
50600311, 50600345	2	Brake pedal pad, large, Willie G	Not Sold Separately
	3	Plain washer 5/16 in.	6333
	4	Button head screw	3540
	5	Flat head hex drive screw (3)	4277
	6	<b>50600311:</b> Brake pedal, large chrome skull	Not Sold Separately
		<b>50600345:</b> Brake pedal, large satin black skull	Not Sold Separately
50600313, 50600344	2	Brake pedal pad, small, Willie G	Not Sold Separately
	3	Plain washer 5/16 in.	6333
	4	Button head screw	3540
	6	<b>50600313:</b> Brake pedal, small chrome skull	Not Sold Separately
		<b>50600344:</b> Brake pedal, small satin black skull	Not Sold Separately
<b>Items mentioned in text, but not included in kit:</b>			
	A	Foot brake lever	