



INSTRUCTIONS

J05778

2014-07-14



XL HAND LEVER

GENERAL

Kit Number

36700052 and 36700053A

Models

For model fitment information, see the P&A Retail Catalog or the Parts and Accessories section of www.harley-davidson.com (English only).

Installation Requirements

⚠ WARNING

Rider and passenger safety depend upon the correct installation of this kit. If the procedure is not within your capabilities or you do not have the correct tools, have a Harley-Davidson dealer perform the installation. Improper installation of this kit could result in death or serious injury. (00308b)

Separate purchase of G40M Brake Grease (Part No. 42820-04) is required for installation of this kit. See your Harley-Davidson dealer.

Kit Contents

See Figure 1 and Table 1.

BRAKE LEVER

Removing the Brake Lever

1. See Figure 1. Remove nut (E) and pivot pin (D).
2. Remove the brake lever (1).

Installing the Brake Lever

1. See Figure 1. Lubricate the pivot pin hole and pivot pin (D) with G40 Brake Grease.
2. Insert the brake lever (1) into position and align the pivot pin holes.
3. Install the pivot pin (D). Tighten to 0.5–1.5 N·m (5–13 in-lbs).

4. Install the nut (E). Tighten to 4.9–6.9 N·m (44–61 in-lbs).
5. Check the front brake for proper operation. There must be no free play in the hand lever. A slight preload is permissible.

⚠ WARNING

Be sure that all lights and switches operate properly before operating motorcycle. Low visibility of rider can result in death or serious injury. (00316a)

6. Check that the brake lamp goes on when the brake lever is actuated.

CLUTCH LEVER

⚠ WARNING

Wear safety glasses or goggles when removing or installing retaining rings. Retaining rings can slip from the pliers and could be propelled with enough force to cause serious eye injury. (00312a)

Removing the Clutch Lever

1. See Figure 1. Remove the retaining ring (6) and pivot pin (A). Discard retaining ring.
2. Remove clutch lever (3) from clutch lever bracket.
3. Remove clutch cable pin (C). Disconnect clutch cable (B) from lever.

Installing the Clutch Lever

1. Connect end of clutch cable (B) to clutch lever with clutch cable pin (C).
2. Position clutch lever within clutch lever bracket.
3. Install pivot pin (A).
4. Secure with **new** retaining ring (6).
5. Check the clutch lever for proper operation. See the service manual for clutch cable adjustment procedure, if necessary.

SERVICE PARTS

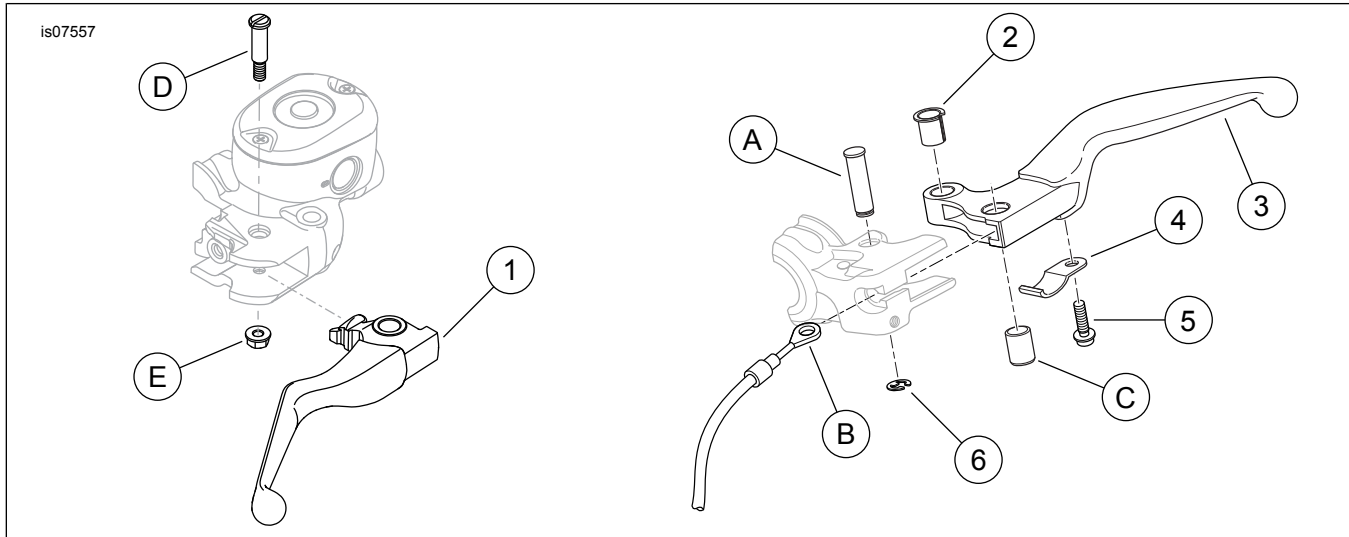


Figure 1. Service Parts: Hand Lever Kit

Table 1. Service Parts: XL Hand Lever Kit

Item	Description (Quantity)	Part Number
1	Lever assembly, front brake control (includes bushing) - chrome	Not Sold Separately
	Lever assembly, front brake control (includes bushing) - black	Not Sold Separately
2	Bushing, clutch lever	45801-04
3	Lever clutch - chrome	Not Sold Separately
	Lever clutch - black	Not Sold Separately
4	Spring, anti-rattle	45799-04
5	Screw, anti-rattle	45800-04
6	Retaining ring	11379
Items mentioned in text, but not included in kit:		
A	Original equipment pivot pin	
B	Clutch cable	
C	Clutch cable anchor pin	
D	Original equipment pivot pin	
E	Original equipment nut	