



INSTRUCTIONS

J06670

2019-01-15



DOMINION PILLION (FXFB)

GENERAL

Kit Number

52400197

Models

For model fitment information, see the P&A retail catalog or the Parts and Accessories section of www.harley-davidson.com (English only).

Installation Requirements

⚠ WARNING

Rider and passenger safety depend upon the correct installation of this kit. If the procedure is not within your capabilities or you do not have the correct tools, have a Harley-Davidson dealer perform the installation. Improper installation of this kit could result in death or serious injury. (00308b)

⚠ WARNING

Do not install these seat kits on motorcycles that are not equipped with an appropriate grab strap and passenger footpegs. If footpegs and grab strap are not installed, passenger could fall from moving motorcycle or grab onto operator, causing loss of control and death or serious injury. (00410b)

Kit Contents

See Figure 5 and Table 1.

REMOVAL

1. Remove solo seat. See owner's manual.

INSTALLATION

1. See Figure 1. Install fender seat nut assembly.
 - a. **Under the fender:** Align and install nut (2) into cutout.
 - b. **Top of fender:** Install clip (1) to nut (2).

2. **NOTE**
Make sure that the folds of the grab straps are installed facing inward.

See Figure 2. Fold grab strap (1).

3. Install washer (2) and screw (3). Tighten.
Torque: 6.8–10 N·m (60–89 in-lbs) *Grab strap screw*

4. See Figure 3. Install solo seat.
 - a. Secure rider seat rear mounting tab (4) onto fender.
 - b. Install spool mount (3) and screw (2). Tighten.
Torque: 1.8–3.4 N·m (16–30 in-lbs) *Spool mount screw*
 - c. Position grab strap over seat.
5. See Figure 4. Install passenger pillion (2).
 - a. Connect front seat tab of pillion to spool mount.
 - b. Position grab strap (1) over pillion.
 - c. Install thumb screw (3).
6. Pull up on seat and pillion to check that it is secure.

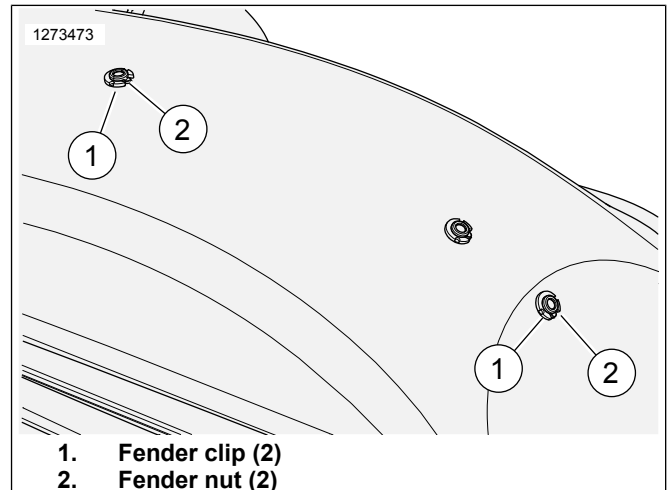


Figure 1. Fender Clip and Nut



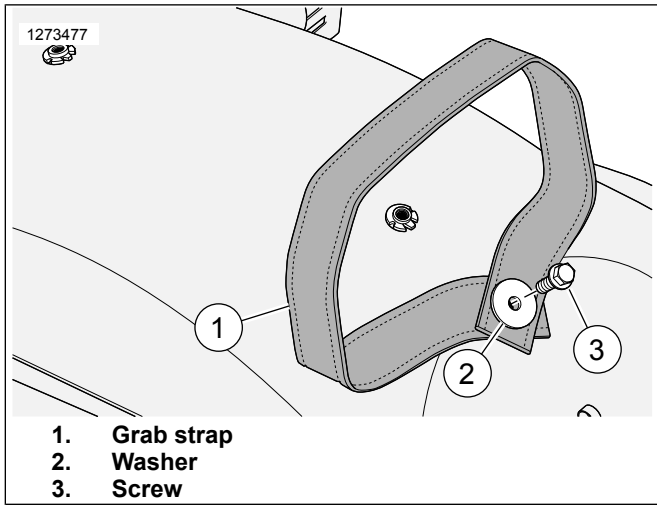


Figure 2. Grab Strap

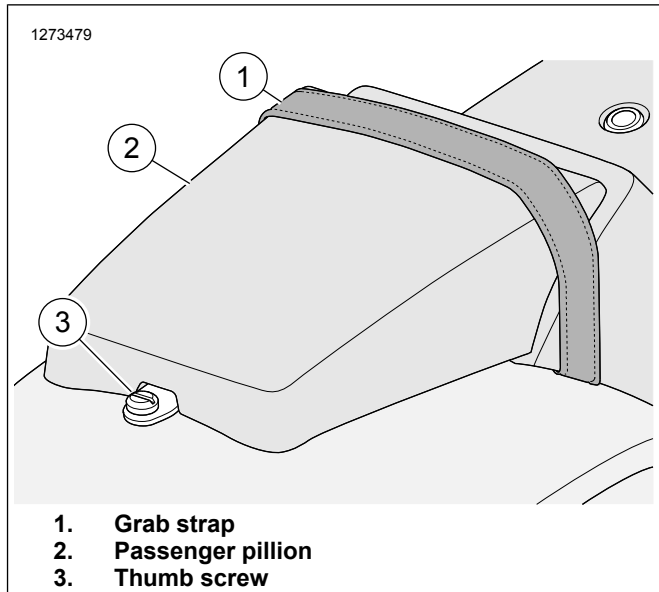


Figure 4. Pillion Seat

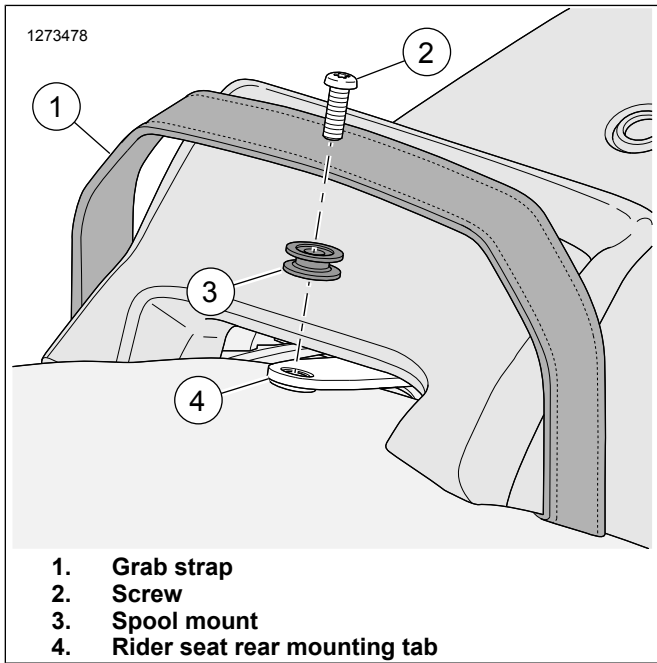


Figure 3. Solo Seat

SERVICE PARTS

1273425

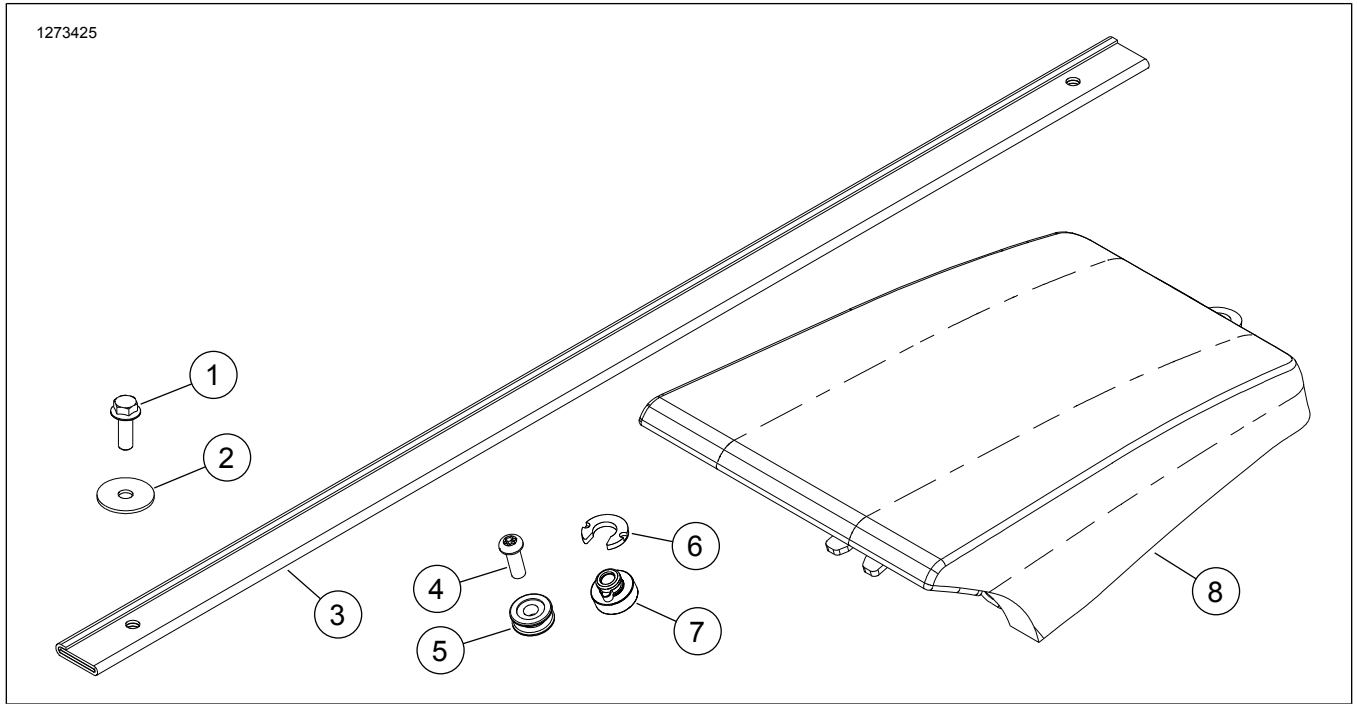


Figure 5. Service Parts: FXFB Passenger Pillion Kit

Table 1. Service Parts Table

Item	Description (Quantity)	Part Number
1	Passenger pillion seat	Not Sold Separately
2	Flatwasher	6036
3	Grab strap	52400215
4	Torx™ Socket head screw	942
5	Passenger seat mount spool	52400239
6	Fender clip (2)	59768-97
7	Fender nut (2)	59768-97
8	Passenger pillion seat	Not Sold Separately