



INSTRUCTIONS

94100283

2023-01-09



ADVERSARY MIRRORS

GENERAL INFORMATION

Table 1. General Information

Kits	Suggested Tools	Skill Level ⁽¹⁾
56000279, 56000280	Safety Glasses, Torque Wrench	

(1) Tightening to torque value or other moderate tools and techniques required

KIT CONTENTS

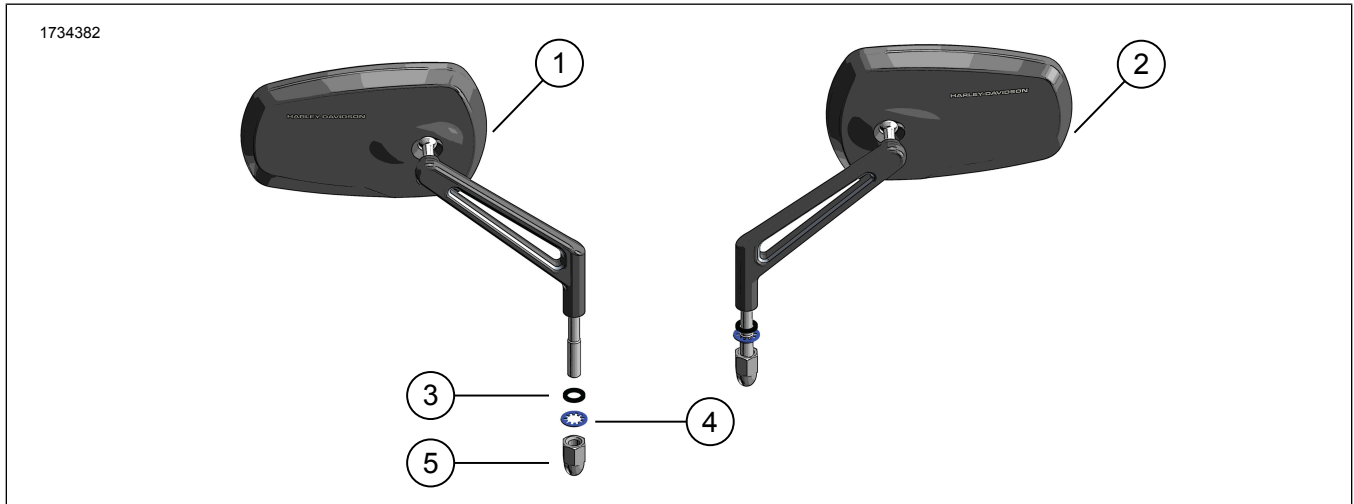


Figure 1. Kit Contents: Mirror Kits

Table 2. Kit Contents: Mirror Kits

Verify that all contents are present in the kit before installing or removing items from vehicle.					
<input checked="" type="checkbox"/>	Item	Qty	Description	Part No.	Notes
<input type="checkbox"/>	1	1	Mirror, right, grey	56000289	
<input type="checkbox"/>			Mirror, right, black	56000288	
<input type="checkbox"/>	2	1	Mirror, left, grey	56000291	
<input type="checkbox"/>			Mirror, left, black	56000290	
<input type="checkbox"/>	3	2	Washer, Kit 5600279	6771A	
<input type="checkbox"/>			Washer, Kit 5600280	12404	
<input type="checkbox"/>	4	2	Lockwasher, Kit 5600279	7127	
<input type="checkbox"/>			Lockwasher, Kit 5600280	7155	
<input type="checkbox"/>	5	2	Acorn nut, chrome	7331	
<input type="checkbox"/>			Acorn nut, black	7352	

GENERAL

Models

For model fitment information, see the Parts and Accessories (P&A) Retail Catalog or the Parts and Accessories section of www.harley-davidson.com.

Verify that the most current version of the instruction sheet is used. It is available at: h-d.com/isheets

Contact Harley-Davidson Customer Support Center at 1-800-258-2464 (U.S. only) or 1-414-343-4056.

Installation Requirements

▲ WARNING

Rider and passenger safety depend upon the correct installation of this kit. If the procedure is not within your capabilities or you do not have the correct tools, have a Harley-Davidson dealer perform the installation. Improper installation of this kit could result in death or serious injury. (00308b)

REMOVE

1. **XG Models:**
 - a. Figure 2 Remove mirror (1).
 - b. Remove tube nut (3).
 - c. Remove mirror mount (4).
2. **All Other Models:**
 - a. Figure 2 Remove mirror and hardware. Discard.

INSTALL

1. **XG Models:** Install mirror.
 - a. Figure 2 Install mirror mount (4). Tighten.
Torque: 11.7–14.3 N·m (104–127 in-lbs)
 - b. Install tube nut (3) to mirror stem (2). Hand tighten.
 - c. Install mirror and tube nut to mirror mount. Hand tighten.
 - d. Adjust mirror (1).
 - e. Tighten tube nut (3).
Torque: 11.7–14.3 N·m (104–127 in-lbs)
2. **All Other Models:** Install mirror.
 - a. Figure 1 Install flat washer (3) on mirror stud (top position) all mirrors except Part No's. 91696-05A, 92398-09 and 92410-09.
3. **Vehicles with turn signals mounted to underside of hand lever housings (except 2004-later XL models):** Secure left side mirror using only lockwasher (3) and acorn nut (3) from kit.

4. Secure right side mirror with lockwasher (4) and acorn nut (5) from kit and turn signal retainer only.
5. **Vehicles with turn signals mounted away from hand lever housings:** Insert mirror studs into holes in hand lever housings.
 - a. Secure mirrors with flat washers (3) in top and bottom positions, lockwashers (4) and acorn nuts (5) from kit.
6. Adjust mirrors for proper field of vision and tighten.
 - a. Check adjustment and reposition if necessary.
 - b. Tighten acorn nut (5).
Torque: 13.5–18.9 N·m (10–14 ft-lbs)

NOTE

Harley-Davidson Motor Company cannot test and make specific fitment recommendations concerning every possible mirror and handlebar combination. Therefore, after installing **new** mirrors or handlebars and before operating vehicle, check that mirrors provide operator a clear view to the rear.

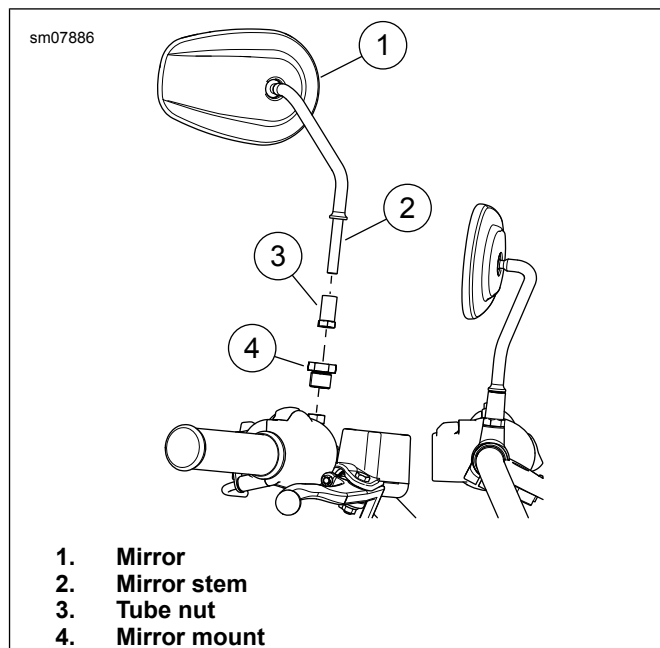


Figure 2. Mirror