



INSTRUCTIONS

J04150

2015-06-30



XL PASSENGER PILLION

GENERAL

Kit Number

51744-07A

Models

For model fitment information, see the P&A retail catalog or the Parts and Accessories section of www.harley-davidson.com (English only).

Installation Requirements

⚠ WARNING

Rider and passenger safety depend upon the correct installation of this kit. If the procedure is not within your capabilities or you do not have the correct tools, have a Harley-Davidson dealer perform the installation. Improper installation of this kit could result in death or serious injury. (00308b)

⚠ WARNING

Do not install these seat kits on motorcycles that are not equipped with an appropriate grab strap and passenger footpegs. If footpegs and grab strap are not installed, passenger could fall from moving motorcycle or grab onto operator, causing loss of control and death or serious injury. (00410b)

Passenger footpeg kit (part number 50203-04) is required for models without footpegs installed.

Installation on XL1200X, XL1200V, XL1200N, XL883N models require purchase of guide washer (part number 7487).

Kit Contents

See Figure 6 and Table 1.

REMOVAL

NOTE

Avoid scratching the paint surfaces during the removal and installation of the seat.

1. Remove original seat according to the owner's manual instructions. **All models except 2010 and later XL1200X, XL1200V, XL1200N, XL883N:** save the seat mounting screw (part number 2952A) to install the new seat. **2010 and later XL1200X, XL1200V, XL1200N, XL883N:** discard the seat mounting screw.

INSTALLATION

1. **For Models with Snap-In Rear Seat Bracket** See Figure 1. Remove the seat bracket located on the bottom of the solo seat. Push the plastic tab with a finger or screwdriver and pull the bracket out of the slot. **For Models with Screws Securing Rear Seat Bracket** Remove the two screws securing the rear seat bracket. Remove bracket. Save screws and bracket for installation on pillion.
2. See Figure 2. Remove the plastic plug (3) from the rear hole location in the fender. Save the plug for installation into the middle fender hole. On XL1200X, XL1200V, XL1200N, XL883N models: Remove rearward fender hole screw (part number 3085) and save for installation later.
3. Install retention nut (1) and washer (2) to the rear location on the fender where the plug was removed.
4. A cable strap can be used as an installation tool (see Figure 6).
 - a. Place the retention nut over the cable strap so that the wide end of the nut rests on the eye of the cable strap.
 - b. Thread the cable strap up under the fender and through the fender hole.
 - c. Pull up on the cable strap to hold the nut snug against the underside of the fender.
 - d. With the rib on the retention nut seated into the notch in the fender hole, slide the retention washer into place from the rear. This locks the retention nut in place.

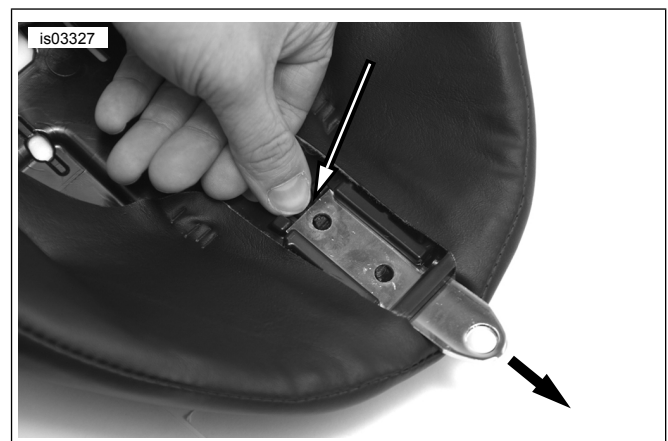
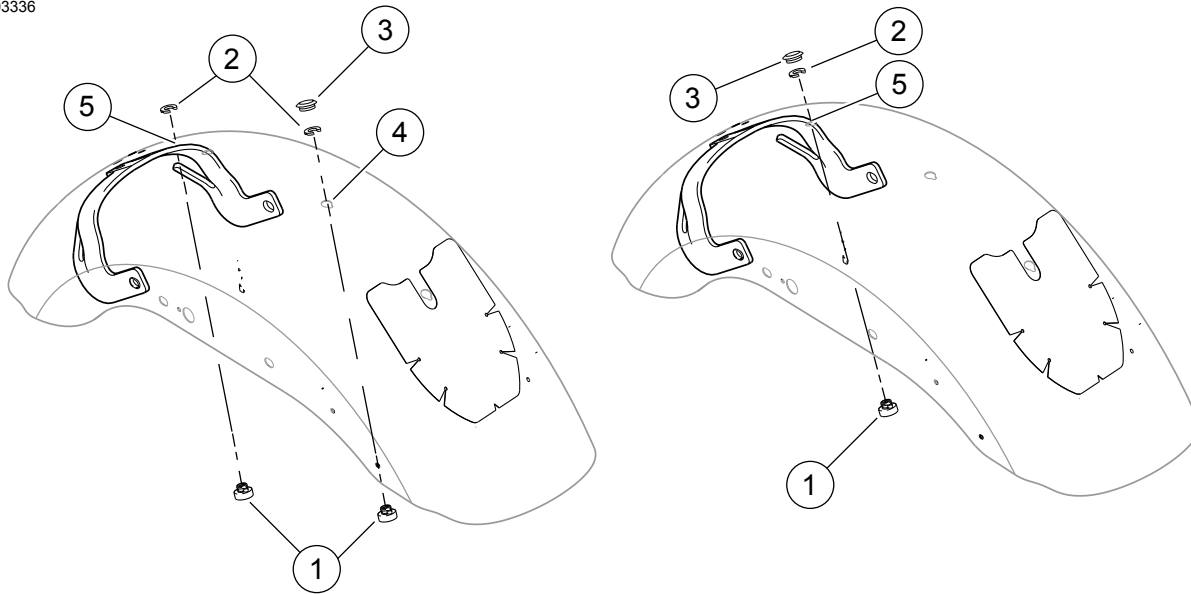


Figure 1. Seat Bracket Removal (Snap-In Bracket Shown)





1. Seat retention nut
2. Seat retention washer
3. Plastic plug

4. Middle fender hole location
5. Rear fender hole location

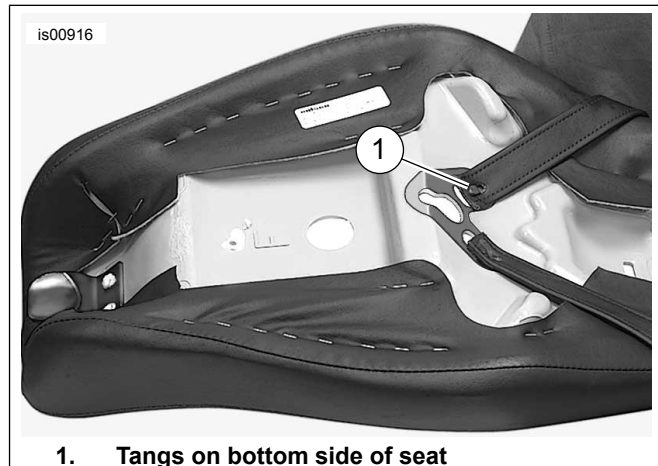
Figure 2. Seat Retention Nut and Washer Locations

5. For Models with Snap-In Rear Seat Bracket For Models with Screws Securing Rear Seat Bracket

- a. See Figure 3. Place the stock seat or the solo accessory seat upside down on a work surface.
- b. Attach the passenger pillion to the solo seat by sliding the metal bracket (on the pillion) into the slot (on the solo seat) until the tab locks the bracket into place.
- c. See Figure 4. Install the grab strap onto the bottom of the seat, by hooking one side of the grab strap onto the tang on the underside of the seat and then looping the grab strap over the seat and fastening the remaining side onto the remaining tang.
- d. See Figure 6. Attach the passenger pillion to the solo seat by sliding the metal bracket on the pillion over the solo seat. Attach metal tab on pillion to solo seat with flange screws (5). Tighten screws to 2.2 N·m (19 in-lbs).
- e. Attach grab strap (6) to rear fender in the middle fender hole location with screw (8) and washer (7). Tighten screw to 6.7–10.2 N·m (60–90 in-lbs).



Figure 3. Underside of Seat and Pillion Assembly



1. Tangs on bottom side of seat

Figure 4. Underside of Seat Showing Grab Strap Installed

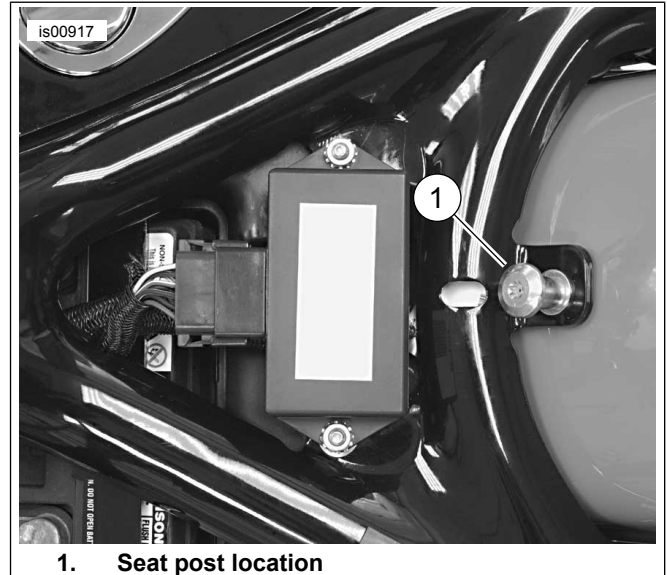
6. **For All Models** Attach the seat bracket removed in Step 1 to the passenger pillion using the flange screws included in the kit. Tighten securely.

NOTE

Compress the foam cushion of the seat as the seat is slid forward to engage the post on the frame when the seat is dropped into place. When properly installed, the front tongue on the underside of the seat should fit snugly in the groove at the fuel tank rear mounting location, and the keyhole on the underside of the seat locks the seat to the post on the frame.

7. See Figure 5. The seat and pillion assembly is attached to the vehicle at three points. Install the seat and pillion as follows: Angle the front of the new seat into place so that the tongue engages the slot at the rear of the fuel tank mounting location.
 - a. The tongue fits under the rear fuel tank bracket.
 - b. The keyhole locks onto the seat post.
 - c. The rear mounting bracket attaches to the rear seat nut in the fender with a screw.
8. Push the seat forward and rotate the rear of the seat downward until the seat contacts the frame. Flex the seat slightly.
9. Pull up on the center of the seat to verify that it is locked into place. (There will be a small amount of play, but the seat should only come up about a half an inch and then will be held firmly in place by the post on the underside of the seat).
10. Install the screw (part number 2952A) and fasten the seat mounting bracket to the top of the rear fender.
11. Mount seat using guide washer (part number 7487) underneath seat mounting tab.

12. Mount seat using existing screw (part number 3085) in rear screw hole. Tighten to 2.3–4.5 N·m (20–40 in-lbs).
13. Optional purchase of Quick release hardware (part number 51676-97A) may be used in lieu of existing screw 3085.
14. Tighten the mounting bracket screw securely.



1. Seat post location

Figure 5. Seat Post

⚠ WARNING

After installing seat, pull upward on seat to be sure it is locked in position. While riding, a loose seat can shift causing loss of control, which could result in death or serious injury. (00070b)

15. Pull up on the front and rear of the seat again to verify that it is properly secured.

SERVICE PARTS

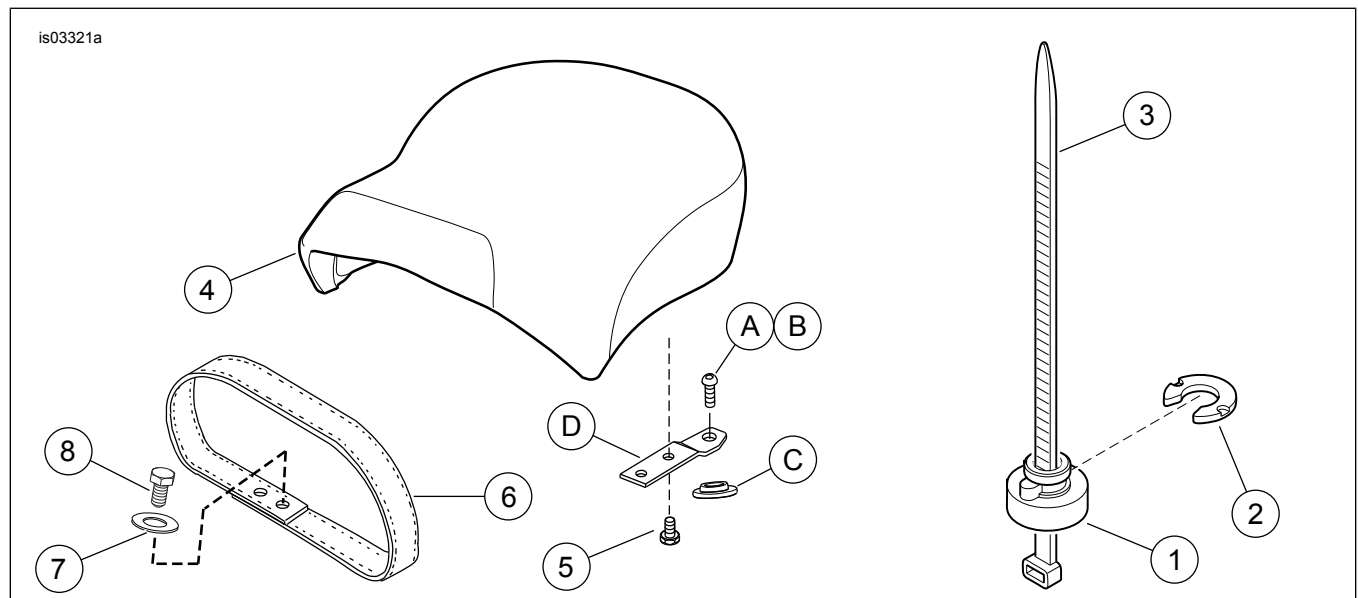


Figure 6. Service Parts: XL Passenger Pillion Kit

Table 1. Service Parts Table

Item	Description (Quantity)	Part Number
1	Nut, seat retention	Not sold separately
2	Washer, retention	Not sold separately
3	Cable strap	10039
4	Passenger pillion	Not sold
5	Hex head flange screw (2)	3574
6	Grab strap	52293-04
7	Washer, plain (discard for models with grap strap attached to seat)	6036
8	Screw, hex head flange (discard for models with grap strap attached to seat)	3767B
Items referenced in text but not included in kit		
A	Mounting Screw	2952A
B	Mounting Screw	3085
C	Guide washer	7487
D	Mounting bracket	
The following service kit is available: Seat Nut kit (includes a retention washer and seat retention nut.)		59768-97