



INSTRUCTIONS

94100037

2022-01-10



ONYX PREMIUM LUGGAGE COLLECTION

GENERAL INFORMATION

Table 1. General Information

Kits	Suggested Tools	Skill Level ⁽¹⁾
93300103, 93300104, 93300105, 93300125, 93300158	Safety Glasses	
<i>(1) Only simple tools and techniques required</i>		

KIT CONTENTS

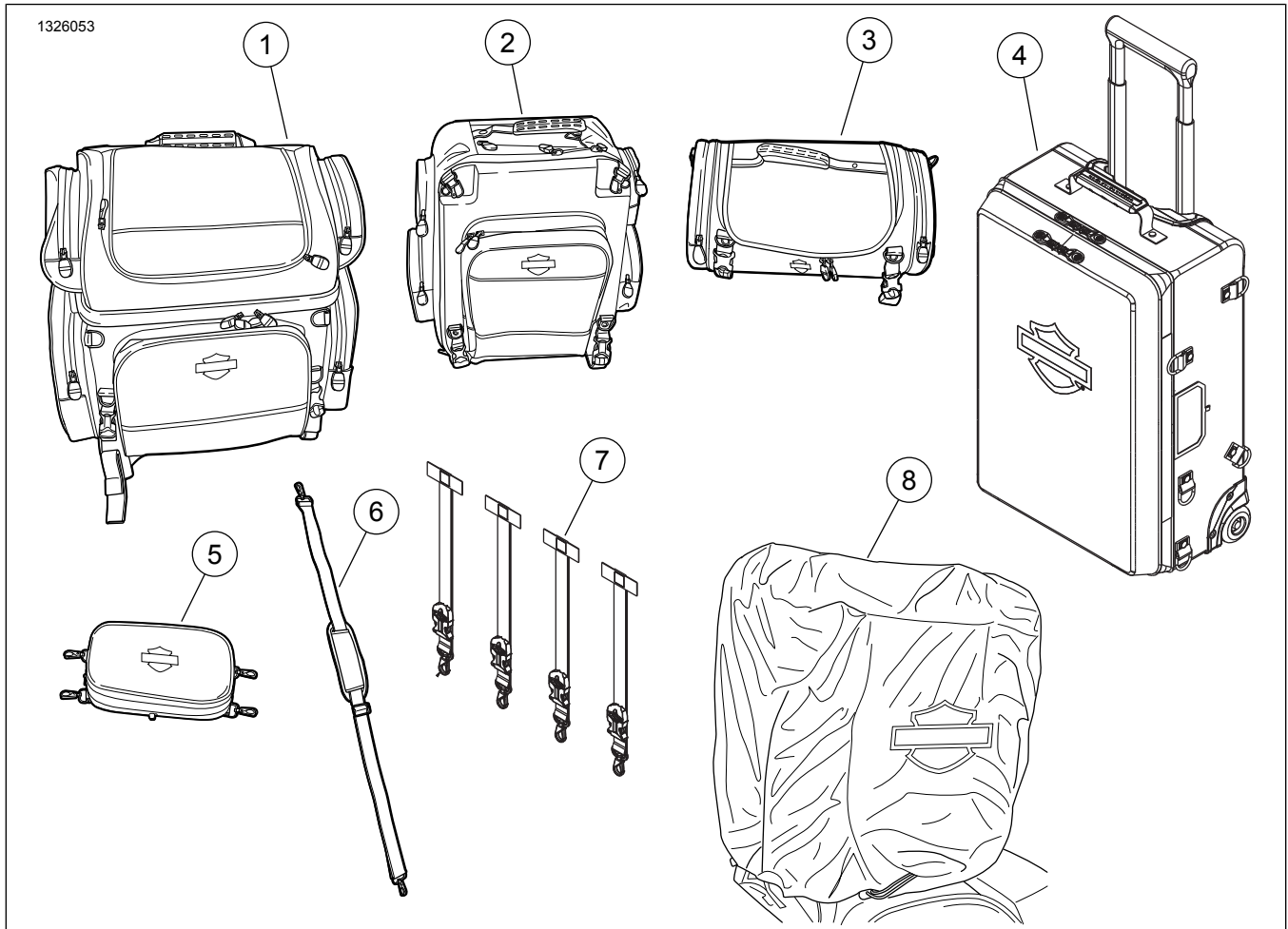


Figure 1. Kit Contents: Premium Luggage Components

Table 2. Kit Contents: Premium Luggage Components

<input checked="" type="checkbox"/> Verify that all contents are present in the kit before installing or removing items from vehicle.					
<input type="checkbox"/>	Item	Qty	Description	Part No.	Notes
<input type="checkbox"/>	1	1	Bag, Touring (includes items 6 and 8)	93300103	
<input type="checkbox"/>	2	1	Bag, Weekender (includes item 8)	93300105	
<input type="checkbox"/>	3	1	Bag, Day (includes items 6 and 8)	93300104	
<input type="checkbox"/>	4	1	Bag, Fly and Ride (includes items 7 and 8)	93300158	
<input type="checkbox"/>	5	1	Premium backrest pad	93300125	
<input type="checkbox"/>	6	1	Shoulder straps	93300133	
<input type="checkbox"/>	7	4	Strap, tie down	93500024	
<input type="checkbox"/>	8	1	Rain cover, Touring	93100062	
<input type="checkbox"/>		4	Rain cover, Weekender	93100064	
<input type="checkbox"/>		4	Rain cover, Day	93100063	
<input type="checkbox"/>		4	Rain cover, Fly and Ride	93100076	

GENERAL

Models

For model fitment information, see the Parts and Accessories (P&A) Retail Catalog or the Parts and Accessories section of www.harley-davidson.com.

Verify that the most current version of the instruction sheet is used. It is available at: h-d.com/isheets

Contact Harley-Davidson Customer Support Center at 1-800-258-2464 (U.S. only) or 1-414-343-4056.

Installation Requirements

⚠ WARNING

Rider and passenger safety depend upon the correct installation of this kit. If the procedure is not within your capabilities or you do not have the correct tools, have a Harley-Davidson dealer perform the installation. Improper installation of this kit could result in death or serious injury. (00308b)

Separate purchase and installation of additional parts or accessories may be required for proper installation of this kit. see the P&A Retail Catalog or the Parts and Accessories section of www.harley-davidson.com (English only) for a list of required parts and accessories.

A sissy bar upright and backrest pad are required for proper installation of luggage bags. A luggage rack is required when mounting luggage behind passenger upright.

INSTALL

Harley-Davidson cannot test and make specific recommendations regarding every accessory or combination of accessories sold, the rider must assume responsibility for safe operation of the motorcycle when installing accessories

or carrying additional weight. Use the following guidelines when equipping a motorcycle or carrying passengers and cargo.

⚠ WARNING

See ACCESSORIES AND CARGO section within the SAFETY FIRST section in your owner's manual. Improper cargo loading or accessory installation can cause component failure and adversely affect stability, handling and performance, which could result in death or serious injury. (00021c)

- Bag MUST be installed with the following:
 - a. Figure 11 Sissy bar mounting hook-and-loop straps around sissy bar.
 - b. Figure 11 Secure four straps with quick-release buckles to luggage rack, sissy bar or other vehicle structure.
- When installed on a luggage rack, do not exceed the load limit of the luggage rack.
- When installed on a passenger pillion, do not exceed 25 lbs (11.4 kg) total weight of bag, contents and attachments.
- Verify that all straps are secured to prevent strap contact with rear wheel during motorcycle operation.
- Verify that bag, mounting straps, rain cover and other components of luggage system do not cover or obstruct visibility of reflectors and lighting.
- Periodically recheck load.
- See owner's manual for recommended tire inflation pressure.

▲ WARNING

Do not exceed the motorcycle's Gross Vehicle Weight Rating (GVWR) or Gross Axle Weight Rating (GAWR). Exceeding these weight ratings can lead to component failure and adversely affect stability, handling and performance, which could result in death or serious injury. (00016f)

- GVWR is the total weight of the motorcycle, accessories, rider, passenger and cargo that can be safely carried.
- GAWR is the maximum amount of weight that can be safely carried on one axle.
- GVWR and GAWR are shown on the information plate, located on the frame downtube.

Premium Backrest Pad

NOTE

- Can be attached to Weekender, Touring or Fly and Ride bag for added support and comfort.
- Pad has an expandable zipper.
- Pad includes two foam pads with different firmness.
- Can use individually or together.

1. Figure 2 Attach backrest by snapping four clips to bag D-rings.



Figure 2. Premium Backrest Pad

Premium Shoulder Strap (Touring, Day Bags)

1. Figure 3 Hook ends of strap to D-rings on each side of bag.

NOTE

Store shoulder strap in bag before operating vehicle.

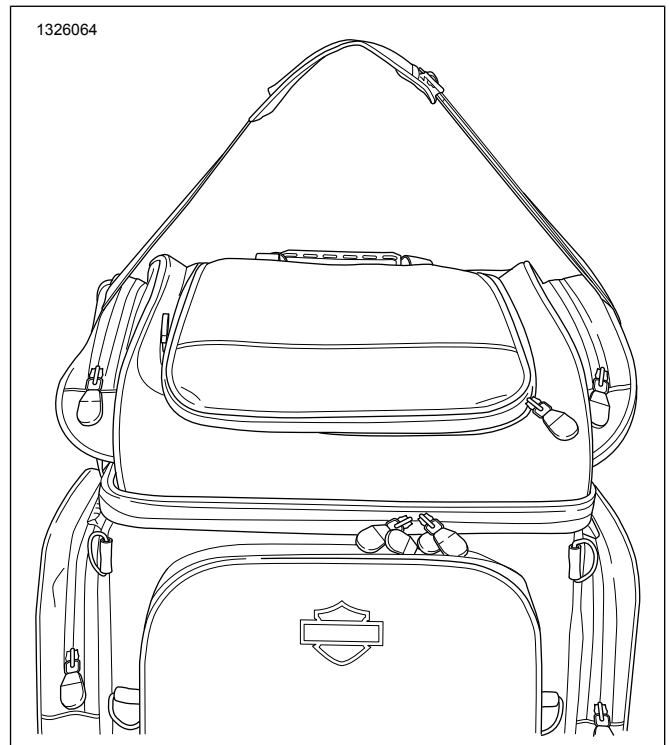


Figure 3. Shoulder Strap

Quick Release Buckles

1. See Figure 4. Disconnect quick release buckles and clasps.

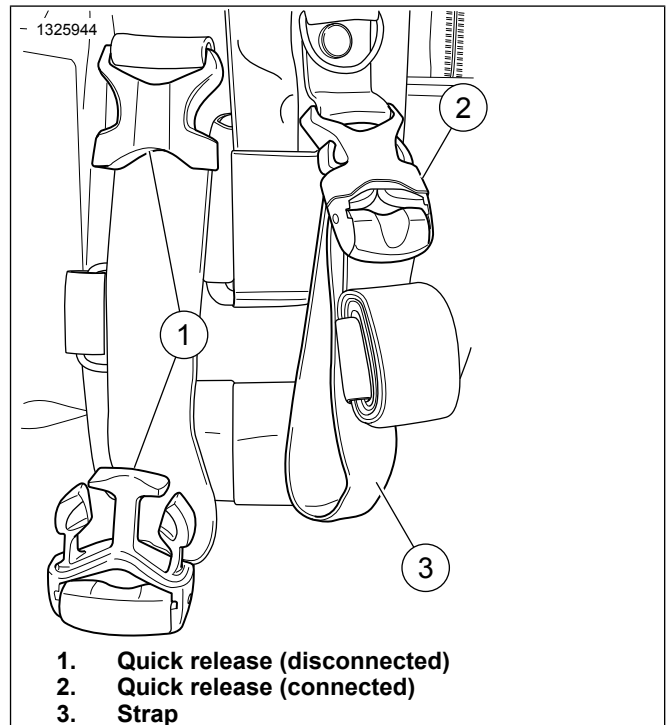


Figure 4. Quick Release Buckle

2. Secure straps to suitable vehicle structure.

3. Connect quick release buckles.
4. Pull straps tight to secure bag to vehicle.
5. See Figure 5. Close clasp to secure strap tightness.

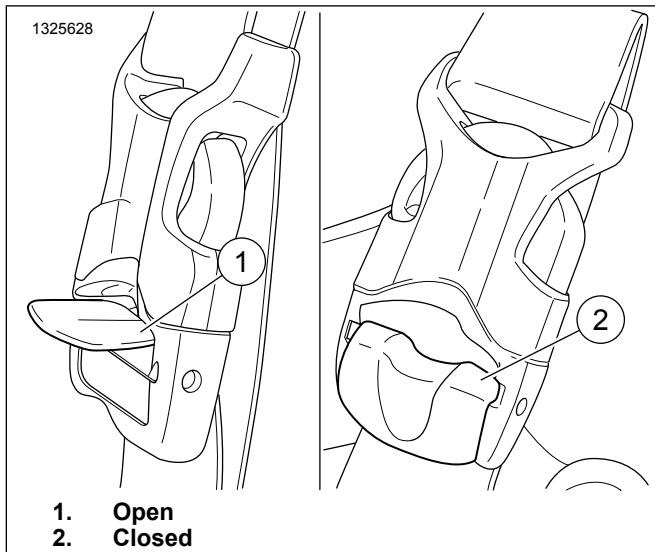


Figure 5. Open/Close Clasp

6. Check that bag is securely fastened to vehicle.
7. See Figure 6. Roll up and secure any excess strap material using hook-and-loop tabs to prevent straps from contacting the rear wheel or scratching or scuffing painted surfaces.

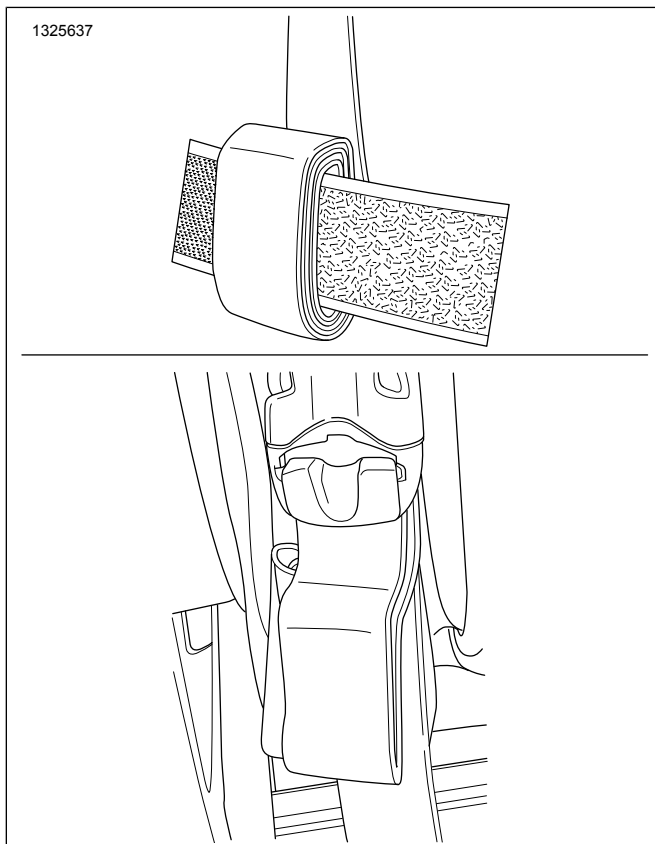


Figure 6. Excess Strap Material

Touring Bag

NOTE

A luggage rack is required when mounting bags behind passenger upright.

1. Figure 7 Position bag on passenger pillion seat or luggage rack.
2. Attach using hook-and-loop straps on back of bag.
3. Quick Release Buckles Attach four quick release clasp buckle straps.

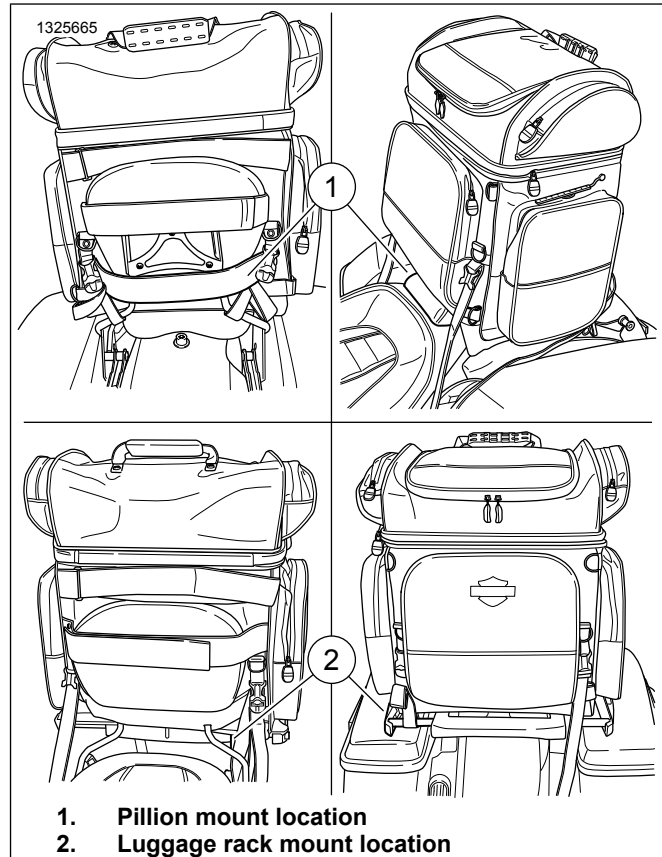


Figure 7. Touring

Fly and Ride Bag

NOTE

A luggage rack is required when mounting bags behind passenger upright.

1. See Figure 8 and Figure 9. Position bag on passenger pillion seat or luggage rack.
2. Figure 8 Attach using hook-and-loop straps (2) on back of bag.
3. See Figure 8 and Figure 9. Attach four strap clips to lower D-rings (1) on bag.
4. Quick Release Buckles Attach four quick release clasp buckle straps to vehicle.

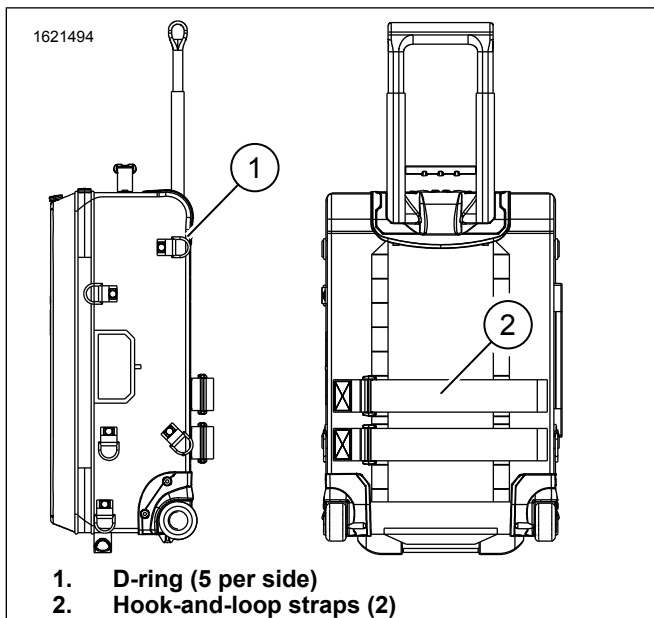


Figure 8. D-Ring and Hook-and-Loop Locations



Figure 9. Fly and Ride Bag



Figure 10. Laptop / Tablet Pocket

Weekender Bag

NOTE

A luggage rack is required when mounting bags behind passenger upright.

1. Figure 12 Disconnect quick release clips on two long backpack straps from D-rings at bottom of bag.
2. Tuck long back straps securely and completely into open zippered pocket at top of bag.
3. Once straps are completely tucked into pocket, close zipper.
4. Figure 11 Position bag on passenger pillion seat or luggage rack.
5. Attach using hook-and-loop straps on back of bag.
6. Quick Release Buckles Attach four quick release clasp buckle straps.

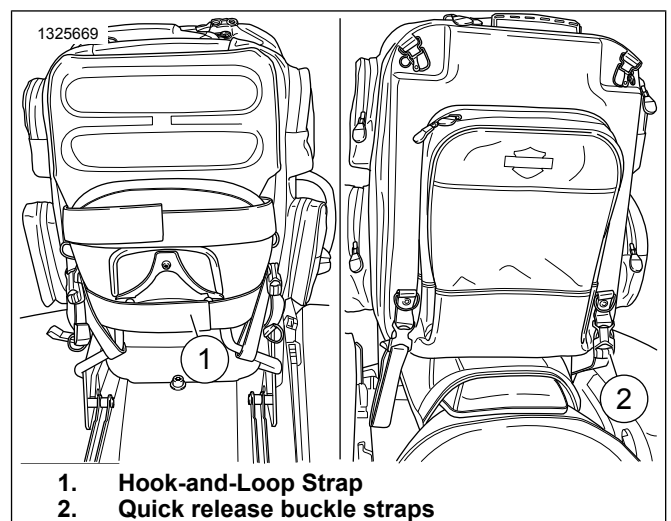


Figure 11. Weekender Bag

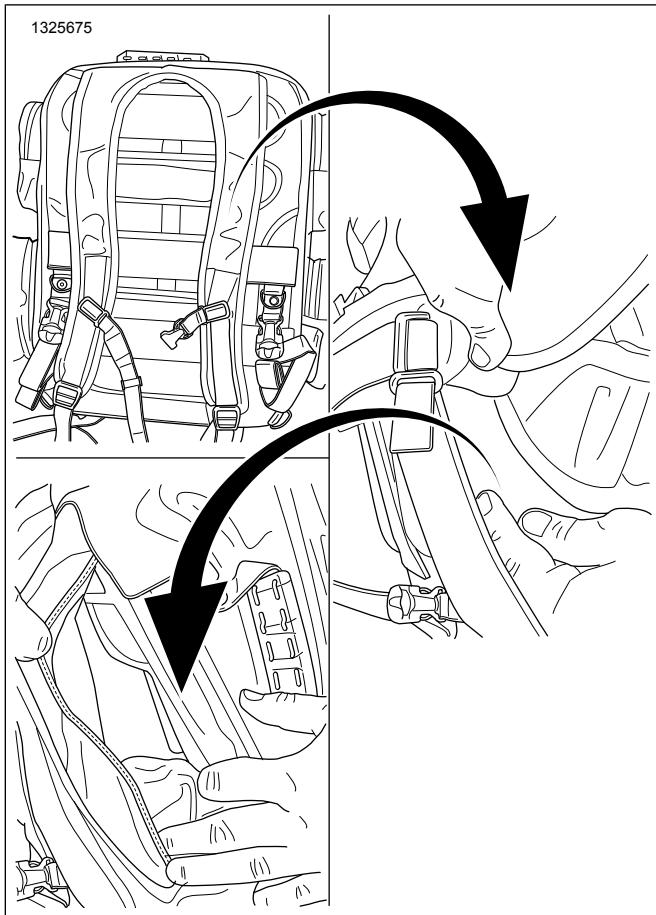


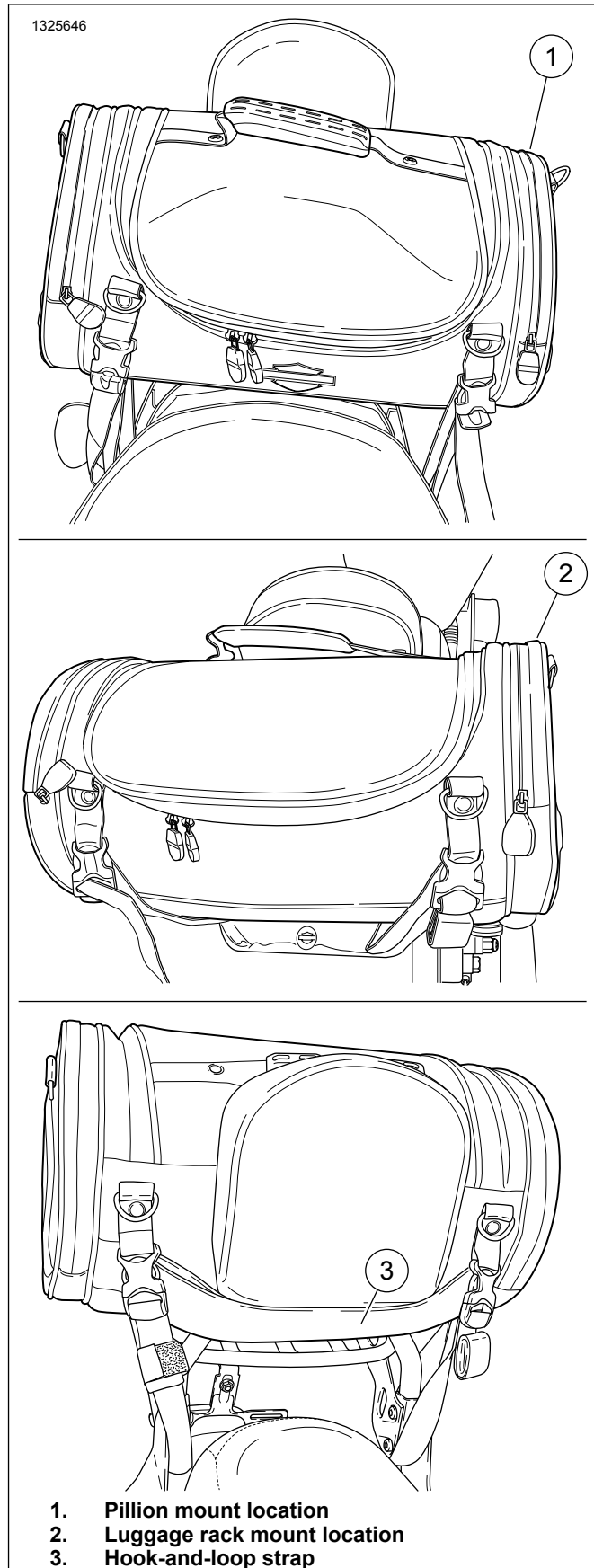
Figure 12. Strap Storage Location

Day Bag

NOTE

A luggage rack is required when mounting bags behind passenger upright.

1. Figure 13 Position bag on passenger pillion seat or luggage rack.
2. Attach using hook-and-loop strap on back of bag.
3. Quick Release Buckles Attach four quick release clasp buckle straps.



1. Pillion mount location
2. Luggage rack mount location
3. Hook-and-loop strap

Figure 13. Day Bag

Rain Cover

1. Figure 14 Pull rain cover over entire bag with Bar and Shield facing front of bag.
2. Pull draw string at bottom of cover to tighten and secure with barrel lock.

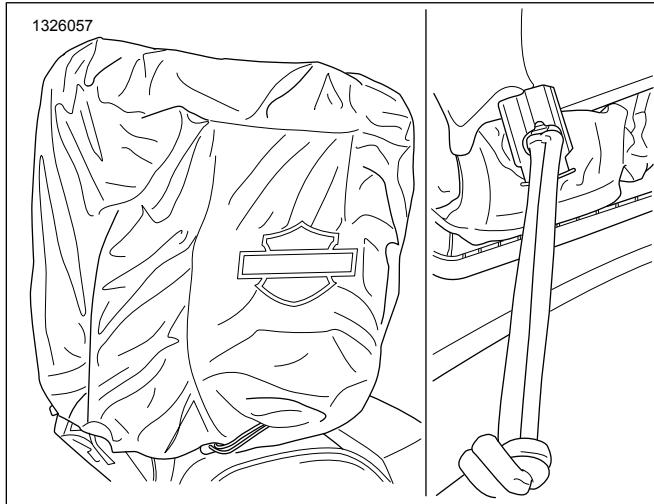


Figure 14. Rain Cover

CARE AND MAINTENANCE

1. Use a lint free cloth to wipe off any dust or dirt.
2. Thoroughly clean outer surface with warm water and a mild detergent.
3. Allow material to dry naturally and completely before use or storage.
4. Do not use artificial means to dry material quickly.
5. Contains one or more of the following materials:
 - a. Polyester
 - b. Polypropylene
 - c. Polyvinyl Chloride
 - d. Ethylene Vinyl Acetate