



INSTRUCTIONS

J06786

2020-01-14



BRAKE PEDAL PAD KIT

GENERAL INFORMATION

Table 1. General Information

Kits	Suggested Tools	Skill Level ⁽¹⁾	Time
50600424, 50600425, 50600386, 50600401	Safety Glasses, Torque Wrench		1 hour
<i>(1) Tightening to torque value or other moderate tools and techniques required</i>			

KIT CONTENTS

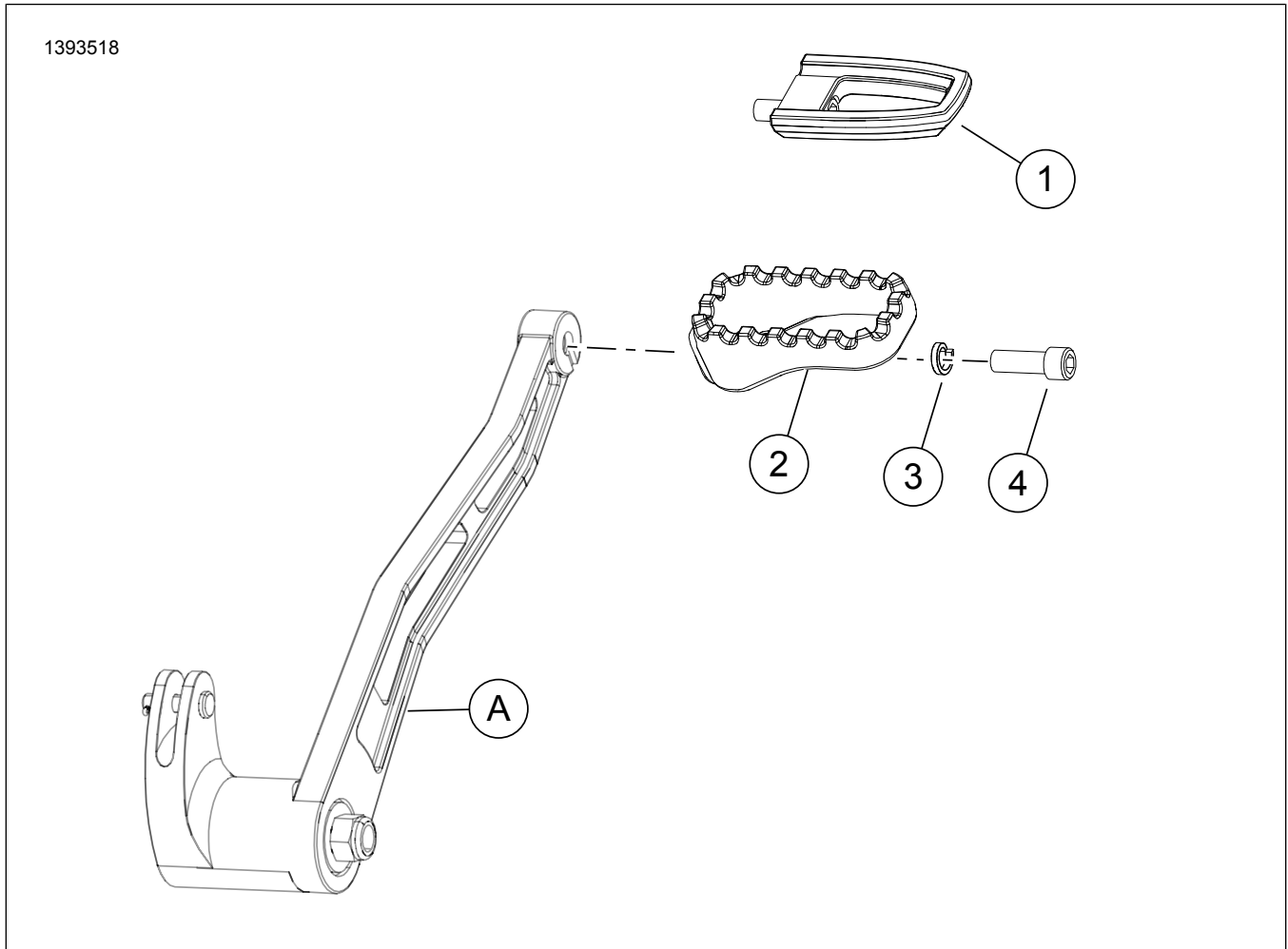


Figure 1. Kit Contents: Brake Pedal Pad Kit Components

Table 2. Kit Contents: Brake Pedal Pad Kit Components

<input checked="" type="checkbox"/>	Item	Qty	Description	Part No.	Notes
<input type="checkbox"/>	1	1	Brake pedal, black	50600400	
<input type="checkbox"/>		1	Brake pedal, graphite	50600387	
<input type="checkbox"/>	2	1	Brake pedal, black	50600422	
<input type="checkbox"/>		1	Brake pedal, raw	50600423	
<input type="checkbox"/>	3	1	Lockwasher	7042	
<input type="checkbox"/>	4	1	Screw	10201005	
Items mentioned in text but not included in kit.					
<input checked="" type="checkbox"/>	A	1	Brake lever		

NOTE

Verify that all contents are present in the kit before installing or removing items from vehicle.

- Thread screw (4) into in foot brake lever (A) and into back of brake pedal pad (1, 2). Tighten.
Torque: 26 N·m (19.2 ft-lbs)

GENERAL

Models

For model fitment information, see the P&A Retail Catalog or the Parts and Accessories section of www.harley-davidson.com (English only)

Verify that the most current version of the instruction sheet is used. It is available at: www.harley-davidson.com/isheets

Contact Harley-Davidson Customer Support Center at 1-800-258-2464 (U.S. only) or 1-414-343-4056.

Installation Requirements

⚠ WARNING

Rider and passenger safety depend upon the correct installation of this kit. If the procedure is not within your capabilities or you do not have the correct tools, have a Harley-Davidson dealer perform the installation. Improper installation of this kit could result in death or serious injury. (00308b)

REMOVE

- Remove previously installed brake pedal from foot brake lever (A).
- If necessary, replace brake lever per brake lever instructions.

INSTALL

- Align **new** brake pedal pad (1, 2) with the end of foot brake lever (A). Make sure to insert tab on brake pedal pad into slot in brake lever.
- Assemble lockwasher (3) and screw (4).