



INSTRUCTIONS

J02448

2015-07-28



CHROME HEAD BOLT BRIDGE KIT

GENERAL

Kit Number

44432-04

Models

For model fitment information, see the P&A retail catalog or the Parts and Accessories section of www.harley-davidson.com (English only).

⚠ WARNING

Rider and passenger safety depend upon the correct installation of this kit. If the procedure is not within your capabilities or you do not have the correct tools, have a Harley-Davidson dealer perform the installation. Improper installation of this kit could result in death or serious injury. (00308b)

Kit Contents

See Figure 1 and Table 1.

INSTALLATION

⚠ WARNING

Disconnecting spark plug cable with engine running can result in electric shock and death or serious injury. (00464b)

NOTE

These head bolt covers are designed to specifically fit only the front or rear position. "FRONT" or "REAR" is cast into the inside surface to identify the correct part for each position.

1. Allow the engine to cool. Disconnect the spark plug boot from the front spark plug.
2. See Figure 1. Install the head bolt mounts (3) to the head bolts and tighten the set screws (4) securely.
3. Place the head bolt cover (1) marked "FRONT" onto the cylinder head, over the spark plug and the two mounts installed in Step 2. Insert the cap screws (5) through the top of the head bolt cover, aligning with the threaded holes in the top of the cover mounts. Tighten securely.
4. Connect the spark plug boot to the front spark plug.
5. Repeat Steps 1 through 4 for the rear head bolt cover.

Service Parts

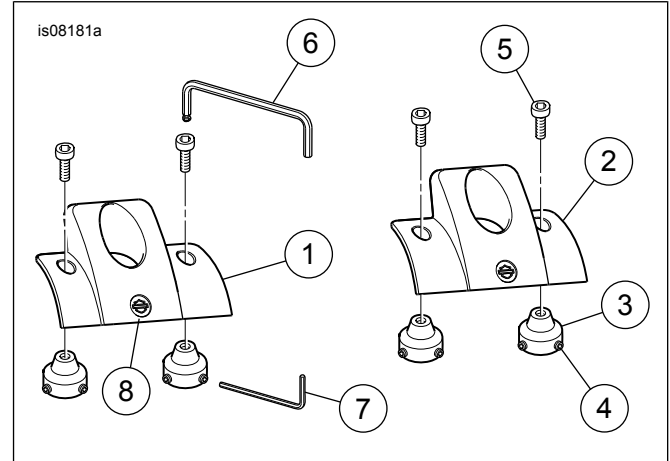


Figure 1. Service Parts

Table 1. Service Parts

Item	Description (Quantity)	Part Number
1	Head bolt bridge (front)	Not sold separately
2	Head bolt bridge (rear)	Not sold separately
3	Mount assembly, head bolt cover (with set screws) (4)	43874-00A
4	Set screw (2)	3318
5	Cap screw, hex socket, #10-32 x 3/8 inch (4)	Not sold separately
6	Wrench, 5/32 in hex key	Not sold separately
7	Wrench, 3/32 in hex key	Not sold separately
8	Bar and Shield logo (2)	13599-00