



INSTRUCTIONS

J06364

2021-04-27



QUICK RELEASE DETACHABLE WIND SPLITTER WINDSHIELD KIT

GENERAL

Kit Number

57400323, 57400326, 57400327, 57400331, 57400333, 57400334, 57400336, 57400337

Models

For model fitment information, see the P&A Retail Catalog or the Parts and Accessories section of www.harley-davidson.com (English only).

⚠ WARNING

Rider and passenger safety depend upon the correct installation of this kit. If the procedure is not within your capabilities or you do not have the correct tools, have a Harley-Davidson dealer perform the installation. Improper installation of this kit could result in death or serious injury. (00308b)

Kit Contents

Kits 57400323, 57400334: See Figure 3 and Table 1

Kits 57400326, 57400327, 57400331, 57400333, 57400336, 57400337: See Figure 4 and Table 2

INSTALLATION

Install the Windshield - All Models

1. See Figure 1. Remove the windshield sub-assembly from the packaging and place face down on a clean, soft surface with the mount brackets facing up.
2. See Figure 3 and Table 1 or see Figure 4 and Table 2. Remove both the clamp and hardware kits from the packaging, and separate similar parts in preparation for assembly.
3. See Figure 2. Assemble the clamp assemblies and hardware stacks.

⚠ WARNING

The cupped side of the Belleville (cone) washers must face each other and sandwich the windshield mount brackets at each mount point. Failure to orient washers correctly can reduce windshield's ability to break away in a collision, which could result in death or serious injury. (00422b)

4. One clamp at a time, with the clamp facing upward and inboard of the windshield bracket (2), tighten the shoulder bolts (1) only enough to hold the clamp orientation to the windshield during mounting of the windshield to the motorcycle. The bolts will be fully tightened later.

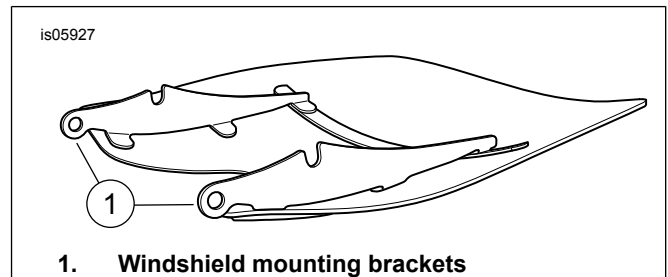
NOTE

Keep front wheel straight to prevent brackets from scratching fuel tank.

5. Make sure all four clamps are in the open position, then bring the windshield (with the clamp side away from you) to the front of the motorcycle.

NOTE

The polycarbonate windshield is fairly flexible and can be bent to spread the clamps away from the headlamp to ease installation to the motorcycle. Take care not to scratch the headlamp housing with the clamps while positioning the windshield to the fork sliders.

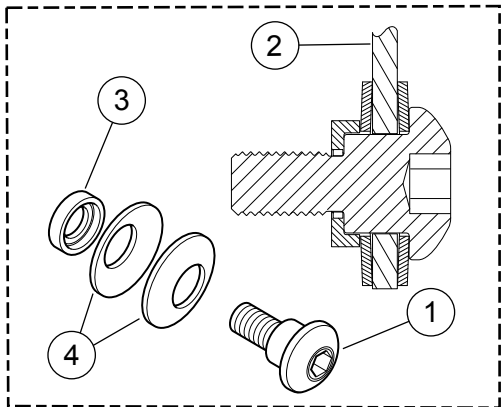
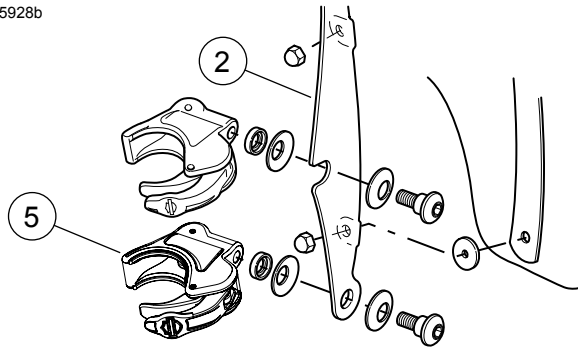


1. Windshield mounting brackets

Figure 1. Windshield Mounting Brackets



is05928b



1. Shoulder bolt
2. Windshield mounting brackets
3. Cup washer spacer
4. Belleville washers (cupped sides facing each other)
5. Windshield mounting clamp

Figure 2. Windshield Mounting Clamp

6. Straddle the front fender. Center the windshield around the headlamp and seat the clamps onto the fork sliders.
7. Starting at the bottom (either side) and with the shoulder bolts just a little more than finger tight, close each clamp, taking note that the clamps self-align to the fork sliders and to each other.

▲ WARNING

Improper installation of accessories or loading of cargo can affect motorcycle stability and handling, which could result in death or serious injury. (00455b)

▲ WARNING

Failure to provide adequate clearance between stationary and moving parts can cause loss of control, which could result in death or serious injury. (00378a)

NOTICE

Do not exceed recommended torque when installing mounting screws. Damage to windshield can result. (00385a)

8. With the windshield clamps now clamped to the fork sliders, make sure that the shoulder portion of the shoulder bolts are fully seated in each windshield bracket location. Tighten each shoulder bolt.

Torque: 6.7 N·m (60 in-lbs) *Shoulder bolt*

9. Turn the handlebars fully to the left and right fork stops to confirm that the throttle cables move freely.

Removing the Windshield - All Models

1. To remove the windshield, open the four clamps in any sequence. Take care to not scratch the headlamp housing or fuel tank as noted during installation.
2. When storing the windshield, place in a location where the windshield clamps will receive the greatest protection. Keep from locations where the windshield may be impacted, dropped or scratched. Do not stack anything on top of the assembly.
3. Prior to re-installation after any storage period, inspect the clamps and hardware for fastener preload and cleanliness. Each clamp should have a pair of rubber gaskets in the clamp saddle that mates to the fork slider, and should allow the clamp to open and closed freely.

Care and Cleaning

NOTICE

Polycarbonate windshields/wind deflectors require proper attention and care to maintain. Failure to maintain polycarbonate properly can result in damage to the windshield/wind deflector. (00483e)

- Do not use benzene, paint thinner, gasoline or any other type of harsh cleaner on the windscreen/windshield. Doing so will damage the surface.
- Do not clean polycarbonate in hot sun or high temperature.
- Powdered, abrasive or alkaline cleanser will damage the windscreen/windshield.
- Sunlight reflections off of the inside curvature of a windscreen/windshield can, at certain times of the day, cause extreme heat build-up on motorcycle instruments. Exercise care in parking. Park facing the sun, place an opaque object over the instruments, or adjust the windscreen/windshield to avoid reflections.
- Do not use benzene, paint thinner, gasoline or any other cleaning agents on the rubber bushings. Doing so will damage the bushing surfaces.

NOTE

Covering the windshield with a clean, wet cloth for about 15 minutes before washing will make dried bug removal easier.

Harley-Davidson Windshield Water Repellent Treatment Part Number 99841-01 is approved for use on Harley-Davidson polycarbonate windshields.

SERVICE PARTS

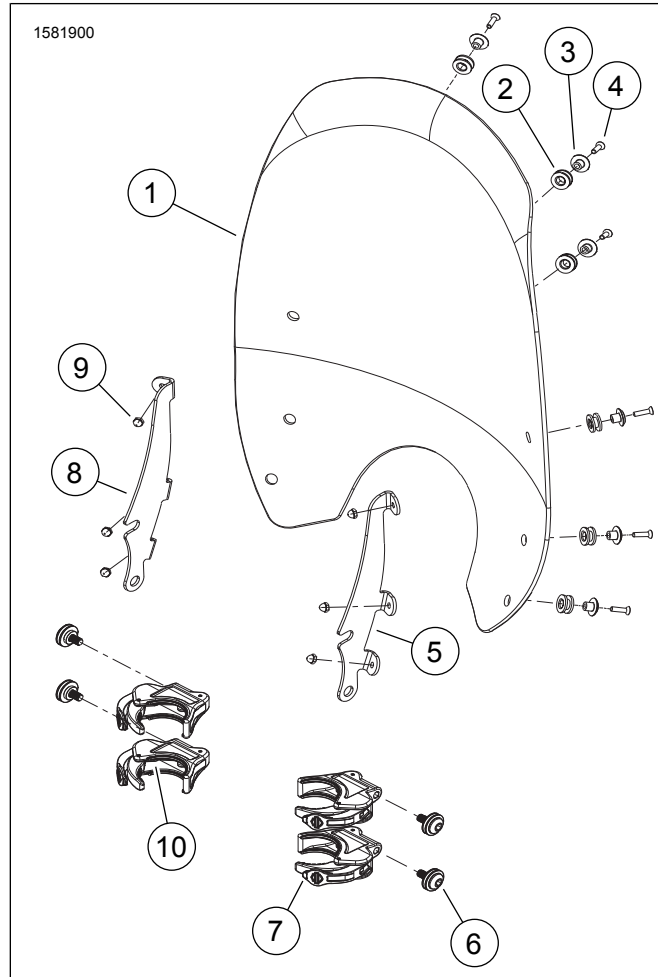


Figure 3. Service Parts: Super Sport (57400323, 57400334) Quick Release Detachable Windshield Kits

Table 1. Super Sport (57400323, 57400334) Quick Release Detachable Windshield Kits

Kit	Item	Description (Quantity)	Part Number
57400323	1	19 In Lt Smoke Wind Splitter Windshield	57400344
	2	Grommet (6)	12100057
	3	Mount, Wind Deflector (6)	57400244
	4	Screw, Flat Head, Hex Socket (6)	10200276
	5	RH Windshield Mounting Bracket	57304-06
	6	Tool Less Release Windshield Mounting Hardware (4)	58790-04
	7	49mm Quick Release Windshield Mounting Clamp Assembly (4)	57400467
	8	LH Windshield Mounting Bracket	57305-06
	9	Acorn Nut (6)	10400018
	10	Gasket, clamp	57197-05
57400334	1	19 In Lt Smoke Wind Splitter Windshield	57400344
	2	Grommet (6)	12100057
	3	Mount, Wind Deflector (6)	57400244
	4	Screw, Flat Head, Hex Socket (6)	10200276
	5	RH Windshield Mounting Bracket	57300119
	6	Tool Less Release Windshield Mounting Hardware (4)	58790-04
	7	49mm Quick Release Windshield Mounting Clamp Assembly (4)	57400467
	8	LH Windshield Mounting Bracket	57300118
	9	Acorn Nut (6)	10400018
	10	Gasket, clamp	57197-05

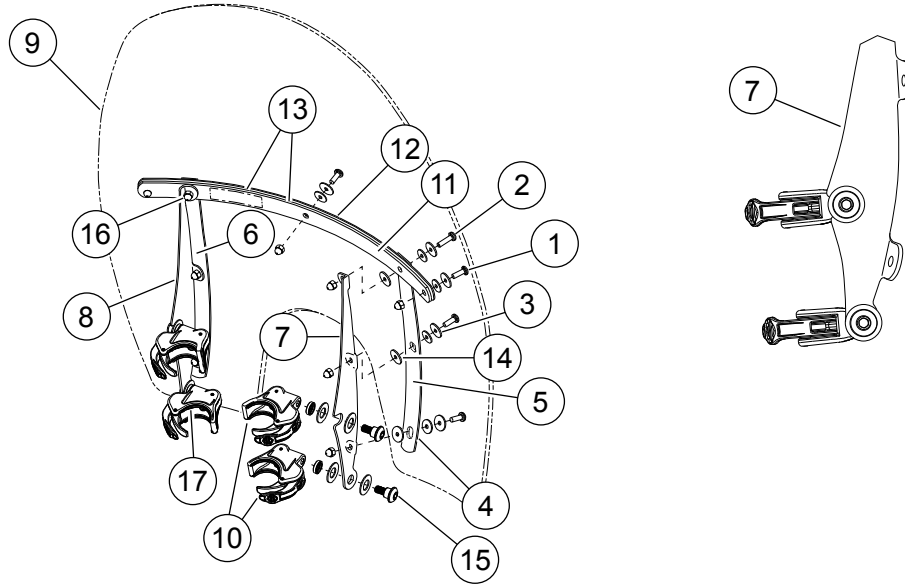


Figure 4. Service Parts: Windshield Kits 57400326, 57400327, 57400331, 57400333, 57400336, 57400337

Table 2. Windshield Kits 57400326, 57400327, 57400331, 57400333, 57400336, 57400337

Kit	Item	Description (Quantity)	Part Number
57400326	1	Pan Head Machine Screws (7)	2921A
	2	Pan Head Machine Screws (2)	2452
	3	N/A	N/A
	4	Vertical Adhesive Tape (2)	11100168
	5	RH Windshield Vertical Brace	57300103
	6	LH Windshield Vertical Brace	57300104
	7	RH Windshield Mount Bracket	57300137
	8	LH Windshield Mount Bracket	57300138
	9	18 In Wind Splitter Quick Release	57400338
	10	49mm Quick Release Clamp Assembly (4)	57400467
	11	Inner Windshield Brace	57300171
	12	Outer Windshield Brace	57300172
	13	Windshield Brace Tape (2)	58052-78
	14	EDPM Windshield Mounting Washer (4)	58152-96
	15	Tool Less Release Windshield Mounting Hardware (4)	58790-04
	16	Acorn Nut (9)	7651A
	17	Gasket, clamp	57197-05
57400327	1	Pan Head Machine Screws (7)	2921A
	2	Pan Head Machine Screws (2)	2452
	3	N/A	N/A
	4	Vertical Adhesive Tape (2)	11100168
	5	RH Windshield Vertical Brace	57300103
	6	LH Windshield Vertical Brace	57300104
	7	RH Windshield Mount Bracket	57300105
	8	LH Windshield Mount Bracket	57300106
	9	18 In Wind Splitter Quick Release	57400338
	10	49mm Quick Release Clamp Assembly (4)	57400467
	11	Inner Windshield Brace	57300171
	12	Outer Windshield Brace	57300172
	13	Windshield Brace Tape (2)	58052-78
	14	EDPM Windshield Mounting Washer (4)	58152-96
	15	Tool Less Release Windshield Mounting Hardware (4)	58790-04
	16	Acorn Nut (9)	7651A
	17	Gasket, clamp	57197-05

57400331	1	Pan Head Machine Screws (7)	2921A
	2	Pan Head Machine Screws (2)	2452
	3	N/A	N/A
	4	Vertical Adhesive Tape (2)	11100168
	5	RH Windshield Vertical Brace	57300103
	6	LH Windshield Vertical Brace	57300104
	7	RH Windshield Mount Bracket	57300105
	8	LH Windshield Mount Bracket	57300106
	9	14 In Lt Smoke Wind Splitter Windshield	57400339
	10	49mm Quick Release Clamp Assembly (4)	57400467
	11	Inner Windshield Brace	57300171
	12	Outer Windshield Brace	57300172
	13	Windshield Brace Tape (2)	58052-78
	14	EDPM Windshield Mounting Washer (4)	58152-96
	15	Tool Less Release Windshield Mounting Hardware (4)	58790-04
	16	Acorn Nut (9)	7651A
	17	Gasket, clamp	57197-05
57400333	1	Pan Head Machine Screws (7)	2921A
	2	Pan Head Machine Screws (2)	2452
	3	N/A	N/A
	4	Vertical Adhesive Tape (2)	11100168
	5	RH Windshield Vertical Brace	57300103
	6	LH Windshield Vertical Brace	57300104
	7	RH Windshield Mount Bracket	57300137
	8	LH Windshield Mount Bracket	57300138
	9	18 In Lt Smoked Wind Splitter Windshield	57400343
	10	49mm Quick Release Clamp Assembly (4)	57400467
	11	Inner Windshield Brace	57300171
	12	Outer Windshield Brace	57300172
	13	Windshield Brace Tape (2)	58052-78
	14	EDPM Windshield Mounting Washer (4)	58152-96
	15	Tool Less Release Windshield Mounting Hardware (4)	58790-04
	16	Acorn Nut (9)	7651A
	17	Gasket, clamp	57197-05
57400336	1	Pan Head Machine Screws (7)	2921A
	2	Pan Head Machine Screws (2)	2452
	3	N/A	N/A
	4	Vertical Adhesive Tape (2)	11100168
	5	RH Windshield Vertical Brace	57300103
	6	LH Windshield Vertical Brace	57300104
	7	RH Windshield Mount Bracket	57300137
	8	LH Windshield Mount Bracket	57300138
	9	14 In Lt Smoke Wind Splitter Windshield	57400339
	10	49mm Quick Release Clamp Assembly (4)	57400467
	11	Inner Windshield Brace	57300171
	12	Outer Windshield Brace	57300172
	13	Windshield Brace Tape (2)	58052-78
	14	EDPM Windshield Mounting Washer (4)	58152-96
	15	Tool Less Release Windshield Mounting Hardware (4)	58790-04
	16	Acorn Nut (9)	7651A
	17	Gasket, clamp	57197-05

57400337	1	Pan Head Machine Screws (7)	2921A
	2	Pan Head Machine Screws (2)	2452
	3	N/A	N/A
	4	Vertical Adhesive Tape (2)	11100168
	5	RH Windshield Vertical Brace	57300103
	6	LH Windshield Vertical Brace	57300104
	7	RH Windshield Mount Bracket	57300105
	8	LH Windshield Mount Bracket	57300106
	9	18 In Lt Smoked Wind Splitter Windshield	57400343
	10	49mm Quick Release Clamp As- sembly (4)	57400467
	11	Inner Windshield Brace	57300171
	12	Outer Windshield Brace	57300172
	13	Windshield Brace Tape (2)	58052-78
	14	EDPM Windshield Mounting Washer (4)	58152-96
	15	Tool Less Release Windshield Mounting Hardware (4)	58790-04
	16	Acorn Nut (9)	7651A
	17	Gasket, clamp	57197-05