



INSTRUCTIONS

J03222

2013-11-01



CHROME AND RUBBER FOOTPEGS

GENERAL

Kit Numbers

50130-95A and 50131-95A

Models

For model fitment information, see the P&A retail catalog or the Parts and Accessories section of www.harley-davidson.com (English only).

⚠ WARNING

Rider and passenger safety depend upon the correct installation of this kit. If the procedure is not within your capabilities or you do not have the correct tools, have a Harley-Davidson dealer perform the installation. Improper installation of this kit could result in death or serious injury. (00308b)

Kit Contents

See Figure 2 and Table 1.

INSTALLATION

1. Remove the locknuts and screws that hold the existing footpegs in place. Save all hardware for installation of the new footpegs.
2. Remove the existing footpegs along with the spring washers. Save the spring washers for later installation.

NOTE

See Figure 1. When performing Step 3, make sure the spring washer is positioned inside of the footpeg support with the square edge towards the inside of the support.

3. Install the new footpegs in the same manner as the old footpegs were installed. Place a spring washer, along with the mount end of the footpeg, inside the slots of the footpeg supports.
4. Secure each footpeg and spring washer with the screw and locknut removed earlier. Tighten the locknuts to 19 ft-lbs (26 Nm).
5. See Figure 2. For each footpeg, insert the adjusting screw (8) in the recessed hole and begin to thread the screw. Position the footpeg as desired, then tighten the adjusting screw to 21 ft-lbs (29 Nm).

⚠ WARNING

Footrests must fold up and toward rear of motorcycle if struck. Failure to set footrests to fold up and back could result in death or serious injury. (00366a)

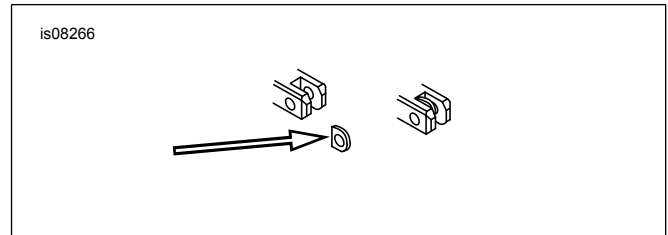


Figure 1. Footpeg Spring Washer Installation

Service Parts

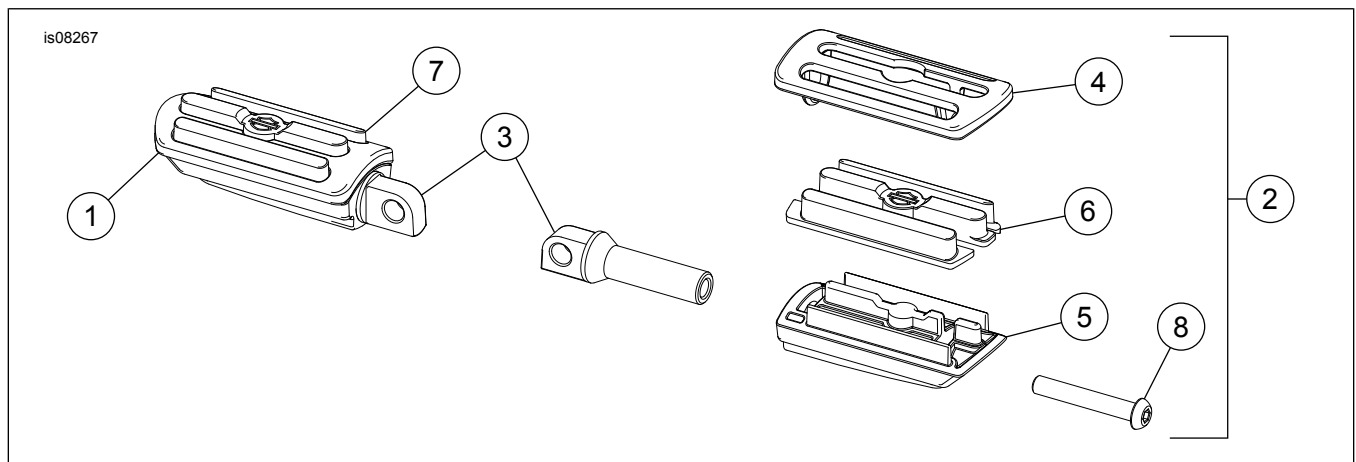


Figure 2. Service Parts

Table 1. Service Parts

| Item | Description (Quantity) | Part Number |
|--|-------------------------------|---------------------|
| 3-Slot Footpeg Kit, Small (50131-95A) | | |
| 1 | Footpeg assembly (left) | 50162-04 |
| 2 | Footpeg assembly (right) | 50163-04 |
| 3 | Mount, footpeg (2) | 50135-95 |
| 4 | Footpeg top, 3-slot | Not sold separately |
| 5 | Footpeg bottom, 3-slot | Not sold separately |
| 6 | Tread, Footpeg, right | 50741-04 |
| 7 | Tread, Footpeg, left | 50742-04 |
| 8 | Screw | 4524 |
| 3-Slot Footpeg, Large (50130-95A) | | |
| 1 | Footpeg assembly (left) | 50143-04 |
| 2 | Footpeg assembly (right) | 50144-04 |
| 3 | Mount, footpeg (2) | 50135-95 |
| 4 | Footpeg top, 3-slot | Not sold separately |
| 5 | Footpeg bottom, 3-slot | Not sold separately |
| 6 | Tread, Footpeg, left | 50738-04 |
| 7 | Tread, Footpeg, right | 50737-04 |
| 8 | Screw | 4523 |