



INSTRUCTIONS

J02808

2009-01-16



HEEL/TOE SHIFT LEVER AND FASTENER KIT

GENERAL

Kit Number

33895-82C

Models

Refer to appropriate model and year parts catalog for fitment information.

⚠ WARNING

Rider and passenger safety depend upon the correct installation of this kit. If the procedure is not within your capabilities or you do not have the correct tools, have a Harley-Davidson dealer perform the installation. Improper installation of this kit could result in death or serious injury. (00308b)

Additional Parts Required

Separate purchase of LOCTITE® 243 Threadlocker and Sealant - Blue is required for proper installation of this kit. Harley-Davidson P/N 99642-97

Kit Contents

NOTE

This kit contains 1 each of the shift lever and fastener that can be used in either the heel or the toe position.

See Figure 1 and Table 1.

INSTALLATION

NOTE

Make note of the installed angle of the shift lever before removal. You may want to install the new lever in the same position.

1. Remove the 1/4-20 socket head screw clamping the shift lever onto the splined shaft. Remove the shifter peg. If replacing the shifter peg, discard the removed peg.
2. Remove the shift lever.
3. See Figure 1. Position the toe shifter lever (1) with the counterbored hole on the underside of the lever. Adjust the lever position to the desired angle and slide it onto the splined shaft (A), aligning the screw hole axially with the innermost groove on the shaft.
4. Position the heel shifter lever (1) so the screw hole counterbore is on the top side of the lever. Adjust the lever position to the desired angle and slide it onto the splined shaft, aligning the screw hole axially with the outermost groove on the shaft.

5. Install the 5/16-18 socket head screw (2) into the counterbored hole. Tighten the screw to 24–30 N·m (18–22 ft-lbs).
6. Apply a few drops of Loctite 243 (blue) onto the shifter peg (B) threads and install the shifter peg onto the new shift lever.
7. Check for proper operation and clearance.

SERVICE PARTS

NOTE

The heel and toe shift levers are identical.

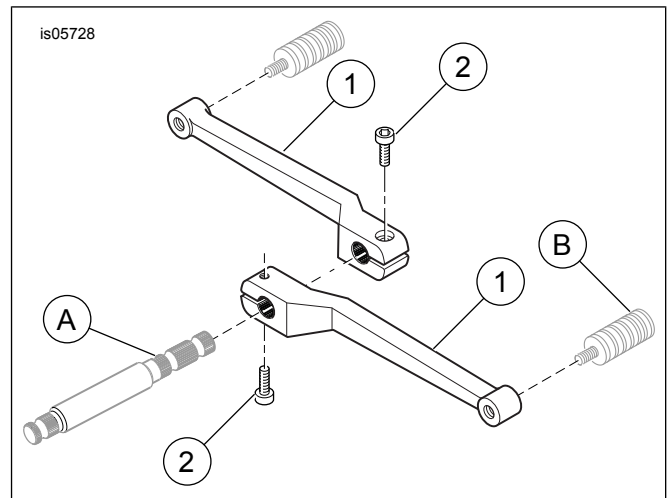


Figure 1. Service Parts: Shift Lever and Fastener Kit

Table 1. Service Parts

Item	Description (Quantity)	Part Number
1	Shift lever, toe/heel	Not Sold Separately
2	Screw, hex socket head, 5/16-18 x 3/4 inch	3275
Items referenced in text, but not included in kit:		
A	Splined shaft with grooves	
B	Shifter pegs	

