



INSTRUCTIONS

J03699

2014-03-26



ADJUSTABLE PASSENGER FOOTBOARD MOUNTING KIT

GENERAL

Kit Numbers

50768-07A

Models

For model fitment information, see the P&A Retail Catalog or the Parts and Accessories section of www.harley-davidson.com (English only).

Kit Contents

See Figure 1 and Table 1.

INSTALLATION

⚠ WARNING

Rider and passenger safety depend upon the correct installation of this kit. If the procedure is not within your capabilities or you do not have the correct tools, have a Harley-Davidson dealer perform the installation. Improper installation of this kit could result in death or serious injury. (00308b)

1. Remove passenger footpegs or footboard assemblies, if so equipped.
2. Remove the footboards from the footboard supports by carefully lifting up on the inside corners (D) of the footboard's rubber pad to expose the pivot pins (do not fully remove the footboard pad from the footboard as it would be difficult to install).
3. Remove pivot pins by pushing the pins toward the outside of the footboard until the footboard is free of the mounting lugs. Removing the footboard will expose a spring, and a steel ball in the footboard support. Discard the spring, steel ball and pivot pins.
4. See Figure 1. Install the new footboard supports using the hardware from this kit. Start the screw (6) and screw (8) into the bracket but do not fully tighten.
5. Tighten screw (6) to 48.81–56.94 N·m (36–42 ft-lbs).
6. Tighten screw (8) to 5–8 N·m (48–72 in-lbs).
7. Install springs (4) into the retaining holes in the footboard supports. Place a steel ball (5) on top of each spring.
8. Position each footboard on the new supports being careful not to unseat the steel balls.

9. Press down on the footboards so that the pivot holes align. Insert the pivot pins through the footboard, and into the two mounting lugs on the footboard supports. Check to be certain that the steel balls are seated in the detents on the underside of the footboards.
10. Push the rubber pads back into place. Make sure that the pin ends are seated in the recesses of the rubber pads. Also, be sure that the rubber extensions at the extreme outer edges of the pads are seated in the outside pin holes in the footboards.

FOOTBOARD ADJUSTMENT

1. To adjust the footboards: Loosen the lower adjusting screw (E) so that the arm will rotate forward, and then loosen the upper screw (E) to adjust the footboard location.
2. Tighten screws (E) to 29.83–37.96 N·m (22–28 ft-lbs).

SERVICE PARTS

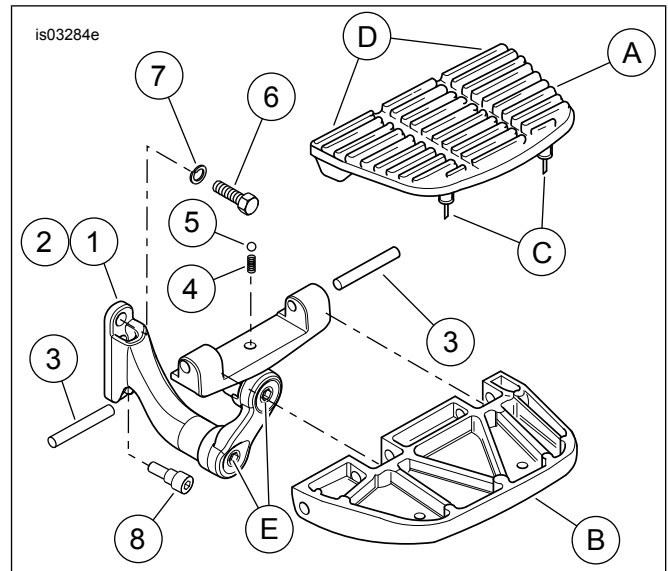


Figure 1. Service Parts: Adjustable Footboard Mounting

Table 1. Service Parts: Adjustable Footboard Support

Item	Description (Quantity)	Part Number
1	Footboard Support, right (chrome)	Not Sold Separately
2	Footboard Support, left (chrome)	Not Sold Separately
3	Pivot pins (4)	50933-86A
4	Spring (2)	51501-07
5	Steel ball (2)	8861
6	Hex socket screw (2)	861A
7	Washer (2)	7038
8	Hex socket shoulder screw (2)	4916



Table 1. Service Parts: Adjustable Footboard Support

Item	Description (Quantity)	Part Number
	Items mentioned in text	
A	Rubber pad	
B	Footboard	
C	Do not remove from footboard during installation.	
D	Lift here	
E	Footboard adjusting screws	