



INSTRUCTIONS

J05693

2019-08-21



PASSENGER BACKREST FOR TOUR-PAK

GENERAL

Kit Numbers

52300312, 52300314, 52300316, 52300317, 52300319, 52300334, 52300335, 52300359, 52300360, 52300567, 52300572, 52300574

Models

For model fitment information, see the P&A retail catalog or the Parts and Accessories section of www.harley-davidson.com (English only).

Installation Requirements

If the accessory circuit connector is already in use, a Switched Circuit Adapter Harness (Part No. 70264-94A) is also required.

2014-2016 Touring Models: Separate purchase of harness extension (Part No. 69200722) is required to locate the accessory circuit connector for the **Heated Tour-Pak® Kit 52300317**.

2017 and Later Touring Models: Separate purchase of harness extension (Part No. 69201599) is required to locate the accessory circuit connector for the **Heated Tour-Pak® Kit 52300317**.

⚠ WARNING

Rider and passenger safety depend upon the correct installation of this kit. If the procedure is not within your capabilities or you do not have the correct tools, have a Harley-Davidson dealer perform the installation. Improper installation of this kit could result in death or serious injury. (00308b)

NOTE

This instruction sheet references service manual information. A service manual for this year/model motorcycle is required for this installation. One is available from a Harley-Davidson dealer.

Kit Contents

See Figure 4, Figure 5, Table 1, and Table 2

ELECTRICAL OVERLOAD

NOTICE

It is possible to overload the vehicle's charging system by adding too many electrical accessories. If the combined electrical accessories operating at any one time consume more electrical current than the vehicle's charging system can produce, the electrical consumption can discharge the battery and cause damage to the vehicle's electrical system. (00211d)

⚠ WARNING

When installing any electrical accessory, be certain not to exceed the maximum amperage rating of the fuse or circuit breaker protecting the affected circuit being modified. Exceeding the maximum amperage can lead to electrical failures, which could result in death or serious injury. (00310a)

Heated Tour-Pak Backrest Kit 52300317 requires up to **3.0 A** more current from the electrical system.

PREPARATION

⚠ WARNING

To prevent accidental vehicle start-up, which could cause death or serious injury, remove main fuse before proceeding. (00251b)

NOTE

- **For vehicles equipped with security siren:** With security fob present, turn ignition switch **ON**. After system is disarmed, turn ignition switch **OFF**. **IMMEDIATELY** remove the main fuse per the service manual.
- **For vehicles WITHOUT security siren:** See the service manual to remove the main fuse.

BACKREST INSTALLATION

King Tour-Pak

1. See Figure 1. Align the three studs on the backrest (1) with the drilled holes in the Tour-Pak lid. Fasten finger-tight with flanged locknuts (2) and flat washers (3) from the kit.
2. Center and level the backrest on the Tour-Pak lid for best appearance.
3. Torque the locknuts. Tighten.
Torque: 11.3–14.7 N·m (100–130 in-lbs)
 - a. **For Kit 52300317:** Proceed to **Extra Steps for Heated Backrest**.
 - b. **For ALL other kits:** Proceed to **ALL Installations**.



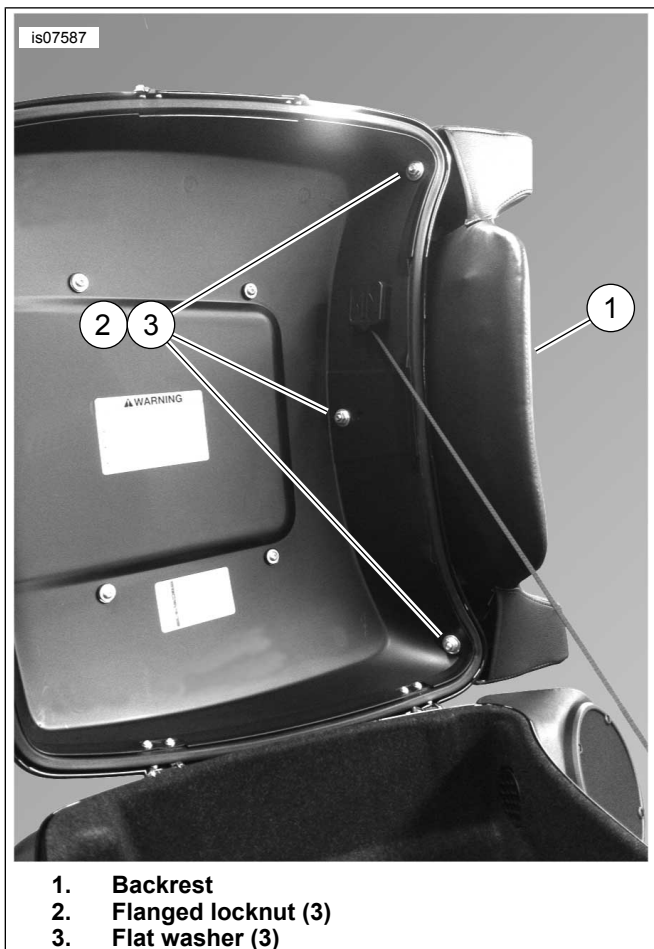


Figure 1. Mounted Backrest on King Tour-Pak Lid

Extra Steps for Heated Backrest

1. Open the Tour-Pak lid. Extend the backrest wires to their full length.
2. Route the backrest wires:
 - a. Above the Tour-Pak left speaker pod, up against the Tour-Pak front wall
 - b. Down the inboard side of the speaker pod
 - c. Behind the lower Tour-Pak pad
 - d. Along the main wire bundle heading under the seat

3. **NOTE**
Adhesive-backed plastic clip (Part No. 69200342) and cable strap (Part No. 10006) are suggested to secure the harness.

Close the Tour-Pak lid. Verify that the closing lid does not pinch the harness. Secure as needed to make sure that the harness path remains clear of the lid.

4. See Figure 2. Assemble the Deutsch heated backrest connector. Refer to the service manual for specific information on the following generalized steps.
 - a. Insert the rear wire seal (3) into the Deutsch four-way socket housing (4) from the kit.
 - b. Insert the red wire lead and terminal (1) into cavity 3.
 - c. Insert the black wire lead and terminal (2) into cavity 4.
 - d. Install the internal seal (5).
 - e. Insert the secondary locking wedge (6).
 - f. Insert seal plugs (7) into cavities 1 and 2.
5. Get the Harness Extension:
 - a. **2014-2016 Touring Models:** (Part No. 69200722, purchased separately). Plug the eight-way Molex connector into the accessory circuit connector [4A] on the electrical panel under the left side cover. Route the four-way Deutsch pin connector to a position under the seat.
 - b. **2017 and Later Touring Models:** (Part No. 69201599, purchased separately). Plug the three-way Molex connector into the accessory circuit connector [325B] on the electrical panel under the right side cover. Route the four-way Deutsch pin connector to a position under the seat.
6. Route the Deutsch heated backrest connector underneath the seat and connect to the four-way accessory harness extension connector. Stow wires to make sure that they are not damaged by the seat. Proceed to **ALL INSTALLATIONS**.

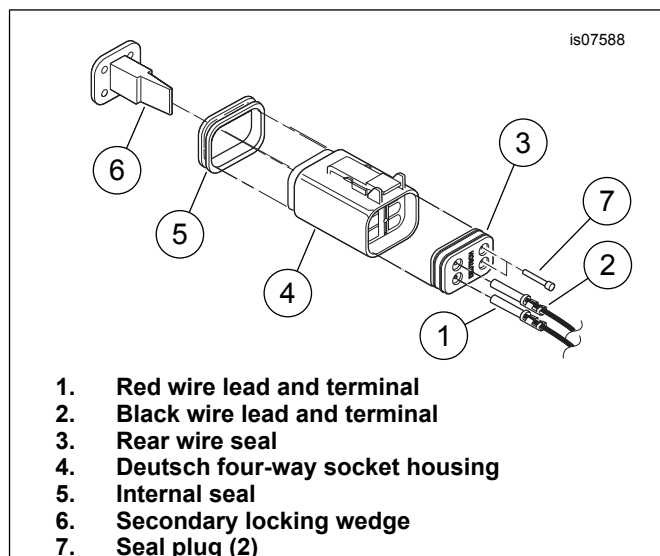


Figure 2. Insert Terminals into Deutsch Socket Housing

Chopped Tour-Pak

1. See Figure 3. Align the three studs on the backrest (1) with the drilled holes in the Tour-Pak lid. Fasten finger-tight with flanged locknuts (2) from the kit.
2. Center and level the backrest on the Tour-Pak lid for best appearance.
3. Tighten the locknuts. Tighten.
Torque: 7.9–9 N·m (70–80 in-lbs)
 - a. Proceed to **ALL Installations**

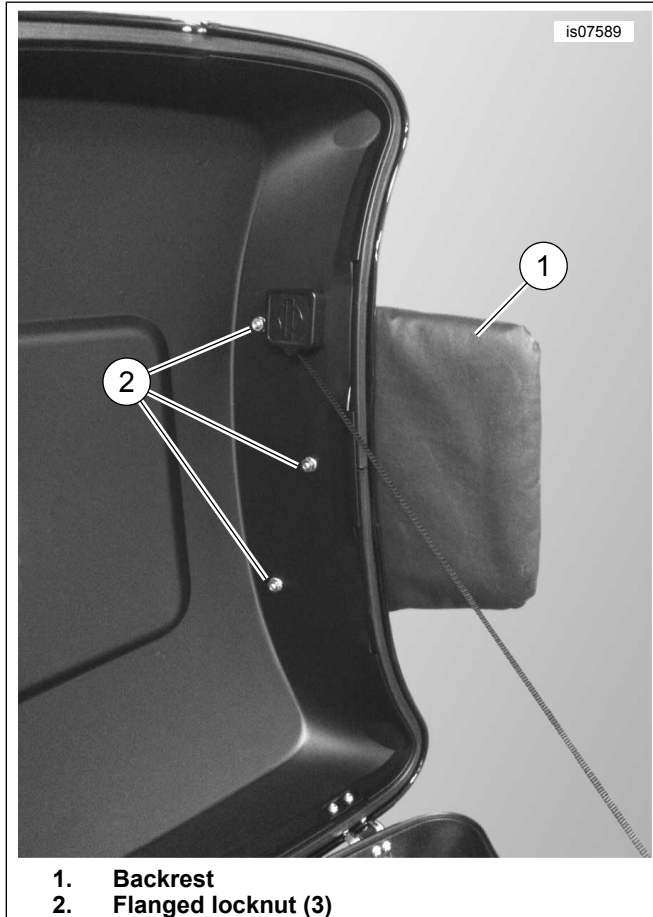


Figure 3. Mounted Backrest on Chopped Tour-Pak Lid

ALL Installations

NOTE

Verify that the ignition switch is **OFF** *before* installing the main fuse.

1. See the service manual to install the main fuse.
2. Close the Tour-Pak cover. Check for proper backrest alignment.
3. See the service manual to install the seat.

HEATED BACKREST TEST AND OPERATION

1. The rocker switch on the left side of the backrest pad controls the heat setting. Turn ignition switch ON. Verify proper operation of heated backrest.
 - a. With rocker switch in the center position, the heat to the backrest is OFF.
 - b. Press the lower part of the switch in to turn the heat ON at the LOW setting.
 - c. Press the upper part of the switch in to turn the heat ON at the HIGH setting.
2. Turn ignition switch to ACCY. The rocker switch operates in the same way as in the ON position.
3. Turn ignition switch OFF. The backrest does not provide heat in any rocker switch position.

SERVICE PARTS

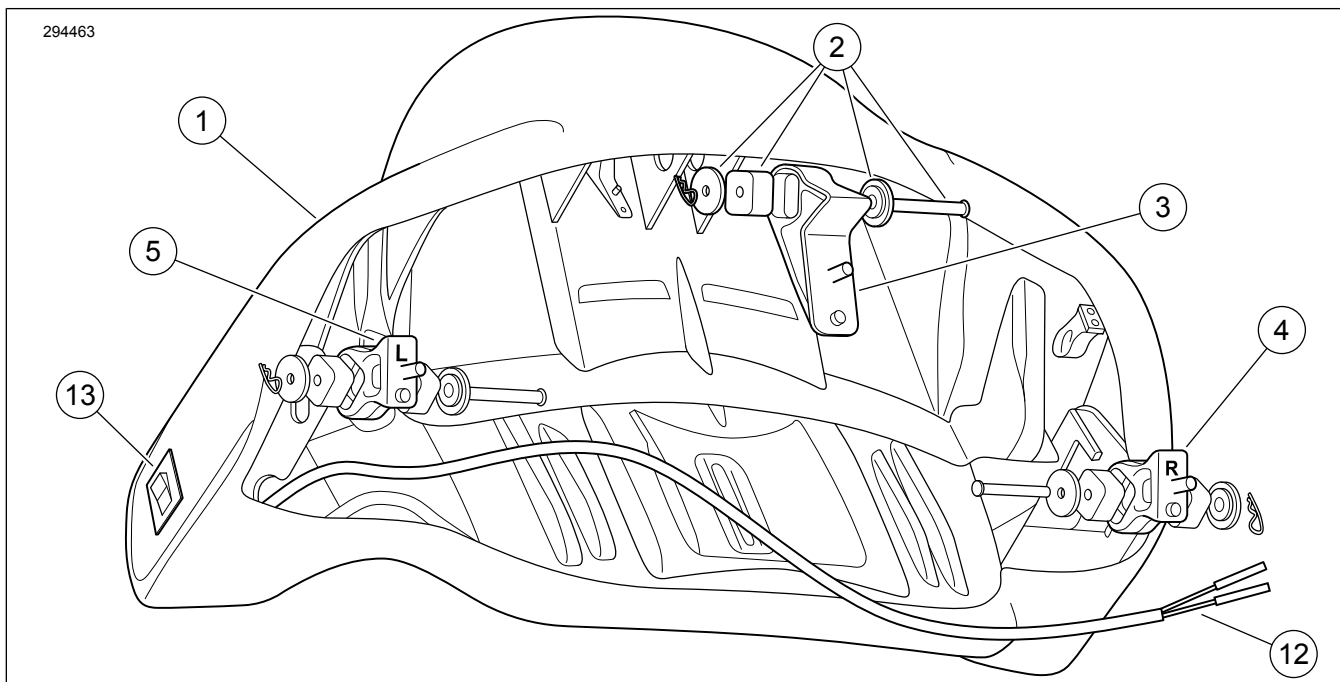


Figure 4. Service Parts, King Tour-Pak Backrest Kits 52300312, 52300314, 52300316, 52300317, 52300334, 52300574

Table 1. Service Parts, King Tour-Pak Backrest Kits 52300312, 52300314, 52300316, 52300317, 52300334, 52300574

Item	Description (Quantity)	Part Number
1	Backrest assembly, all kits except 52300317 (includes Items 2-7) Backrest assembly, kit 52300317 (includes Items 2-13)	Not sold separately Not sold separately
2	• Isolation kit, backrest (3)	52300127
3	• Support bracket, center	52300121
4	• Support bracket, right	52300122
5	• Support bracket, left	52300123
6	• Flange nut, locking, 5/16"-18 (3) (not shown)	7531
7	• Washer, flat, 5/16" nominal (3) (not shown)	6026
Items included only in kit 52300317:		
8	• Deutsch socket connector housing, four-way (shown on Figure 2)	72134-94GY
9	• Deutsch secondary lock (shown on Figure 2)	72154-94
10	• Deutsch socket terminal (2) (shown on Figure 2)	72191-94
11	• Deutsch seal pin (2) (shown on Figure 2)	72195-94
12	• Harness, heated backrest	Not sold separately
13	• Switch, heated backrest	Not sold separately

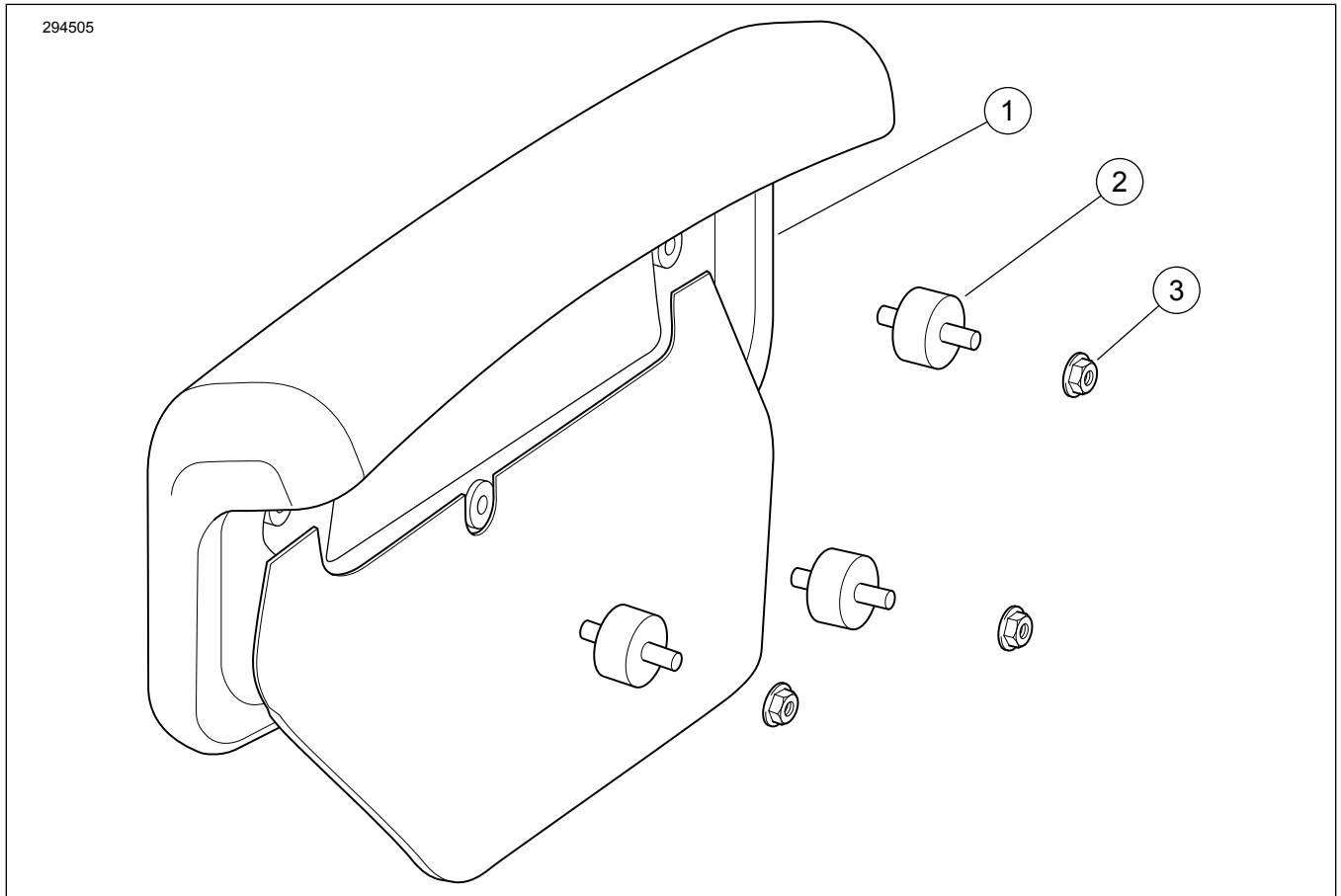


Figure 5. Service Parts, Chopped Tour-Pak Backrest Kits 52300319, 52300335, 52300567, 52300572

Table 2. Service Parts, Chopped Tour-Pak Backrest Kits 52300319, 52300335, 52300567, 52300572

Item	Description (Quantity)	Part Number
1	Backrest assembly (includes Items 2-3)	Not sold separately
2	• Isolator, backrest (3)	52300323
3	• Flange nut, locking, 1/4"-20 (3)	7716