



INSTRUCTIONS

J06116

2016-02-05



SMARTPHONE MOUNTING KIT

GENERAL

Kit Numbers

76000537, 76000549, 76000576, 76000605, 76000670

Models

For model fitment information, see the P&A retail catalog or the Parts and Accessories section of www.harley-davidson.com (English only).

⚠ WARNING

Set volume levels and other controls on audio and electronic devices before riding. Distractions can lead to loss of control, resulting in death or serious injury. (00088b)

Installation Requirements

⚠ WARNING

Rider and passenger safety depend upon the correct installation of this kit. If the procedure is not within your capabilities or you do not have the correct tools, have a Harley-Davidson dealer perform the installation. Improper installation of this kit could result in death or serious injury. (00308b)

Separate purchase of more parts or accessories may be required for proper installation of this kit. These can be purchased separately from a Harley-Davidson dealer.

Service Parts

See Figure 1 and Table 1.

INSTALLATION

Clamp Mount Installation

1. See Figure 1. Remove clamp (E) upper screw.

NOTE

Clamp (E) screw dimensions vary based on model and model year. Both SAE and metric screws are included in the kit. Use the screws (4) appropriate screws.

2. Install mount spacer (8), clamp mount (7), plain washer (5) and screw (4). Do not tighten completely.
3. Move clamp mount aside. Remove lower clamp screw.
4. Install spacer (8), clamp mount (7), offset washer (6). Orient to align with holes in clamp (E). Secure with screw (4).

5. Tighten screws to 6.8–9 N·m (60–80 in-lbs).

Smartphone Holder Installation

1. Install smartphone mount locknut (3) over the ball of the clamp mount (A). Make sure locknut threads face away from clamp mount base.
2. Install mounting socket (D) of smartphone holder (1) onto the ball (A) of the clamp mount (7). Push firmly into place.
3. Loosely install the smartphone mount locknut (3) onto the mounting socket (D).
4. Adjust position of the smartphone holder as desired.
5. Tighten smartphone mount locknut. Smartphone holder should remain securely in place.

OPERATION

Galaxy or iPhone Smartphone Holder

1. Release latch (C). Open smartphone holder.
2. Install smartphone into holder.
3. Close smartphone holder. Secure latch (C).
4. Make sure that smartphone mount locknut is tight.

Universal Smartphone Holder

NOTE

The universal smartphone holder allows for a power cord to be attached to the smartphone. If a power cord is installed, make sure that the cord is secured with cable straps. Make sure that the handlebars travel from stop to stop without interference.

Always make sure smartphone is held securely before riding. Check adjusting knobs and mount locknut tightness.

1. Loosen adjusting knobs (B) until the holder width is slightly wider than the smartphone.
2. Install smartphone into the smartphone holder.
3. Tighten adjusting knobs (B) until smartphone is held securely in place.
4. Make sure that smartphone mount locknut is tight.
5. Loosen knobs (B) to remove smartphone.

CARE AND MAINTENANCE

When necessary, clean iPhone and Galaxy holder's membrane with warm, soapy water.



SERVICE PARTS

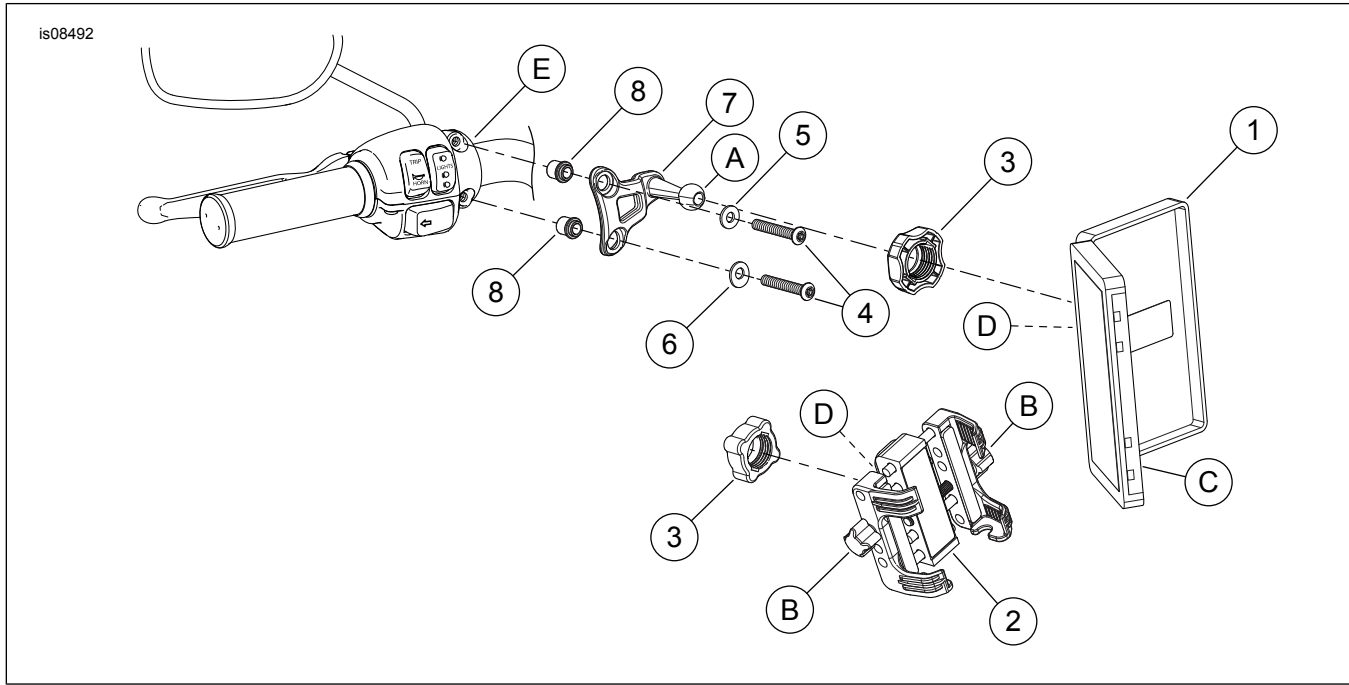


Figure 1. Service Parts: Smartphone Mounting Kit

Table 1. Service Parts Table

Kit	Item	Description (Quantity)	Part Number
76000576	1	Smartphone holder, Apple iPhone 5 and 5S Phones	Not Sold Separately
76000605	1	Smartphone holder, Samsung Glaxay S3/4 Phones	Not Sold Separately
76000670	1	Smartphone holder, Apple iPhone 6 Phones	Not Sold Separately
76000549	2	Smartphone holder, universal	Not Sold Separately
	3	Smartphone mount locknut	Not Sold Separately
76000537	4	Screw, M6 x 1.0 x 40 mm (2)	10200425
		Screw, 1/4-20 x 1-5/8 (2)	4033
	5	Washer, plain	6119
	6	Washer, offset	10600034
	7	Clamp mount	Not Sold Separately
	8	Mount spacer (2)	Not Sold Separately
Items mentioned in text:			
	A	Mount ball	
	B	Adjustment knob (2)	
	C	Latch	
	D	Mount socket	
	E	Clamp	