



INSTRUCTIONS

J06646

2018-08-20



FAT BOB COLLECTOR SHIELD

GENERAL

Kit Number

65400481

Models

For model fitment information, see the P&A Retail Catalog or the Parts and Accessories section of www.harley-davidson.com (English only).

Kit Contents

See Figure 1 and Table 1.

⚠ WARNING

Rider and passenger safety depend upon the correct installation of this kit. If the procedure is not within your capabilities or you do not have the correct tools, have a Harley-Davidson dealer perform the installation. Improper installation of this kit could result in death or serious injury. (00308b)

NOTE

A service manual for the year and model motorcycle is available from a Harley-Davidson dealer.

Installation Requirements

Proper installation of this kit requires the separate purchase of ANTI-SEIZE LUBRICANT (98960-97).

⚠ WARNING

Rider and passenger safety depend upon the correct installation of this kit. Use the appropriate service manual procedures. If the procedure is not within your capabilities or you do not have the correct tools, have a Harley-Davidson dealer perform the installation. Improper installation of this kit could result in death or serious injury. (00333b)

NOTE

This instruction sheet refers to service manual information. A service manual for your year/model motorcycle is required for this installation. One is available from a Harley-Davidson dealer.

INSTALLATION

Remove Original Equipment (OE) Exhaust Shields

1. See Figure 1. Remove six collector shield screws (1) and remove the collector shield (2).

Install Exhaust Shields

1. Apply anti-seize lubricant to screws.
2. Install collector shield.
3. Install screws.

NOTICE

Wipe all fingerprints off of exhaust system components after installation and before starting engine. Oil from hands can leave permanent marks on exhaust system finish. (00346a)

4. Secure the screws. Tighten.
Torque: 8.8–10.8 N·m (78–96 in-lbs)

SERVICE PARTS

1149787

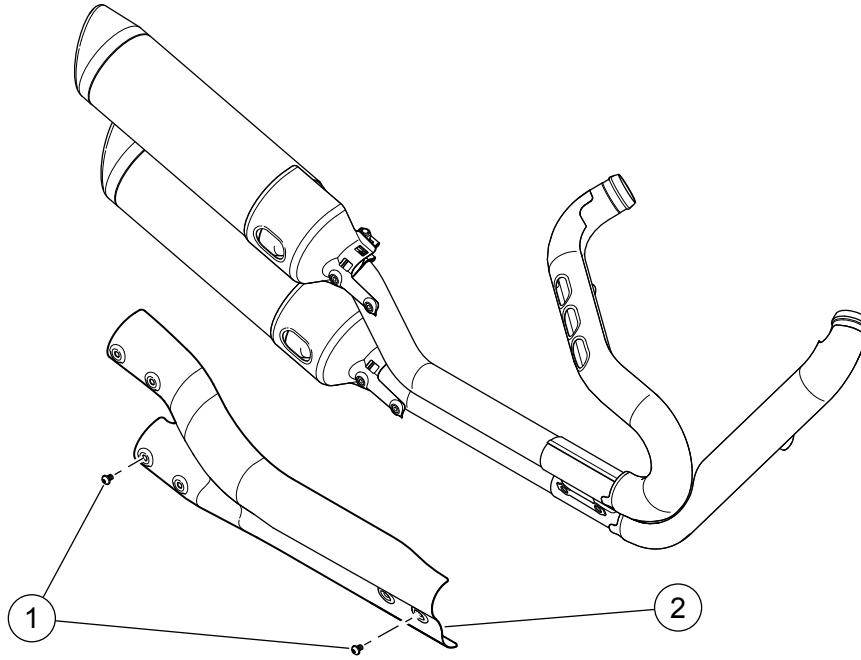


Figure 1. Service Parts: Dyna Model Exhaust Shields

Table 1. Service Parts Table

Item	Description (Quantity)	Part Number
1	Screw (6)	10500103
2	Collector shield kit	Not Sold Separately
Items mentioned in text, but not included in kit		
Not shown	Anti-seize lubricant	98960-97