



INSTRUCTIONS

94100471

2024-01-23



MID-FRAME AIR DEFLECTOR

GENERAL INFORMATION

Table 1. General Information

Kits	Suggested Tools	Skill Level ⁽¹⁾
57200417, 57200418	Safety Glasses, Torque Wrench	
<i>(1) Tightening to torque value or other moderate tools and techniques required</i>		

KIT CONTENTS

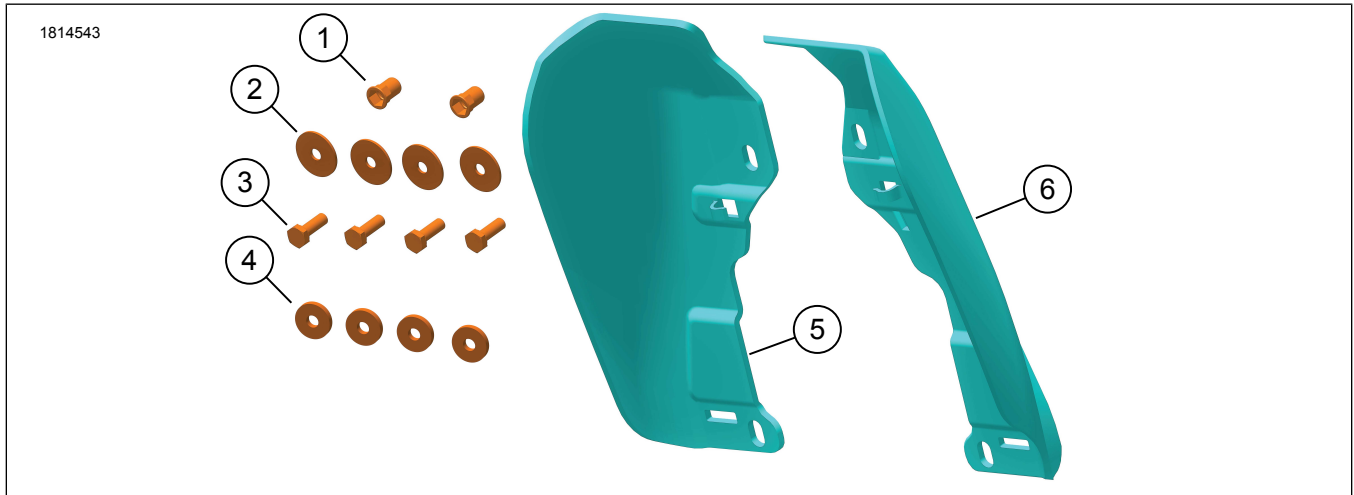


Figure 1. Kit Contents: Mid-Frame Air Deflector

Table 2. Kit Contents: Mid-Frame Air Deflector

<input checked="" type="checkbox"/>	Verify that all contents are present in the kit before installing or removing items from vehicle.				
Item	Qty	Description	Part No.	Notes	
<input type="checkbox"/>	1	2	Special nut	8194	
<input type="checkbox"/>	2	4	Washer, large	6036	
<input type="checkbox"/>	3	4	Screw	3787	
<input type="checkbox"/>	4	4	Washer, small	10300222	Use with Dark Smoke deflectors, kit 57200418.
<input type="checkbox"/>	5	1	Deflector, right (Black)	57200392	Kit: 57200417
<input type="checkbox"/>		1	Deflector, right (Dark Smoke)	57200394	Kit: 57200418
<input type="checkbox"/>	6	1	Deflector, left (Black)	57200391	Kit: 57200417
<input type="checkbox"/>		1	Deflector, left (Dark Smoke)	57200393	Kit: 57200418

GENERAL

Models

For model fitment information, see the Parts and Accessories (P&A) Retail Catalog or the Parts and Accessories section of www.harley-davidson.com.

Verify that the most current version of the instruction sheet is used. It is available at: h-d.com/isheets

Contact Harley-Davidson Customer Support Center at 1-800-258-2464 (U.S. only) or 1-414-343-4056.

Installation Requirements

▲ WARNING

Rider and passenger safety depend upon the correct installation of this kit. If the procedure is not within your capabilities or you do not have the correct tools, have a Harley-Davidson dealer perform the installation. Improper installation of this kit could result in death or serious injury. (00308b)

INSTALL

NOTE

Do not use LOCTITE® on fasteners as damage to air deflectors will occur.

1. Figure 2 Install special nut (2) into bottom hex hole.
 - a. Figure 1 Install large washer (2) to screw (3).
 - b. Figure 2 Insert screw fully into special nut (2).
 - c. Press special nut (2) assembly firmly against crossmember.
 - d. Tighten screw (approximately 2-1/2 turns).
Torque: 6.8 N·m (60 **in-lbs**)
 - e. Remove screw and large washer.
 - f. Repeat procedure for opposite side.
2. Figure 3 Install right deflector (1).
 - a. **Kit 57200418:** Install small washers (5) between deflector and frame.
 - b. **Kits 57200417 and 57200418:** Install large washers (3) and screws (2). Tighten.
Torque: 2.8–3.9 N·m (25–35 **in-lbs**)
 - c. Repeat procedure for opposite side.

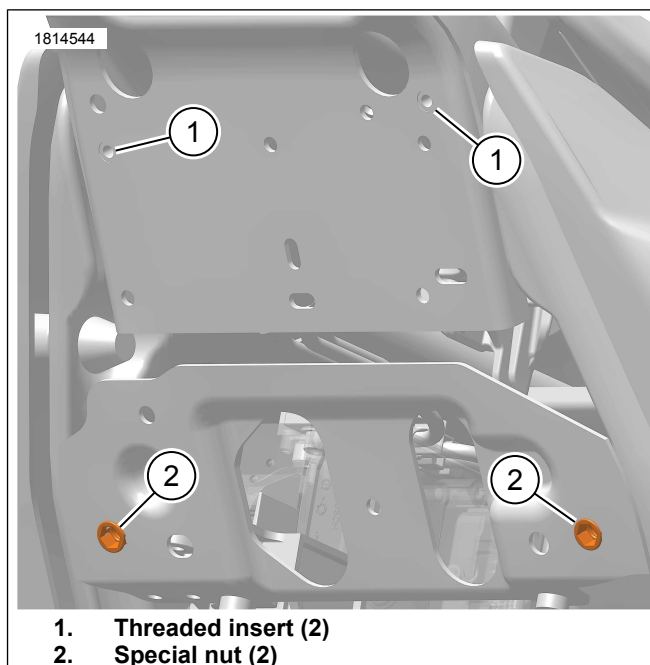


Figure 2. Special Nut

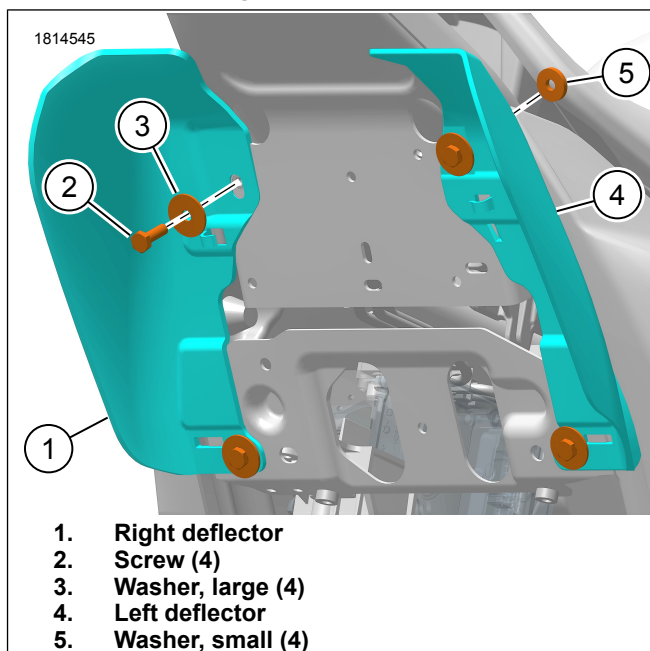


Figure 3. Deflector