



INSTRUCTIONS

J02661

2019-08-21



ACCESSORY FOOTBOARD INSERTS

Table 1. General Information

Kits	Suggested Tools	Skill Level ⁽¹⁾	Time
50295-02, 50310-02, 50500093, 50500096, 50549-08, 50627-08, 51011-01, 51017-01, 54187-10, 54196-10, 50501397	Safety Glasses, Pliers, Dish soap		1 hour
<i>(1) Only simple tools and techniques required</i>			

KIT CONTENTS

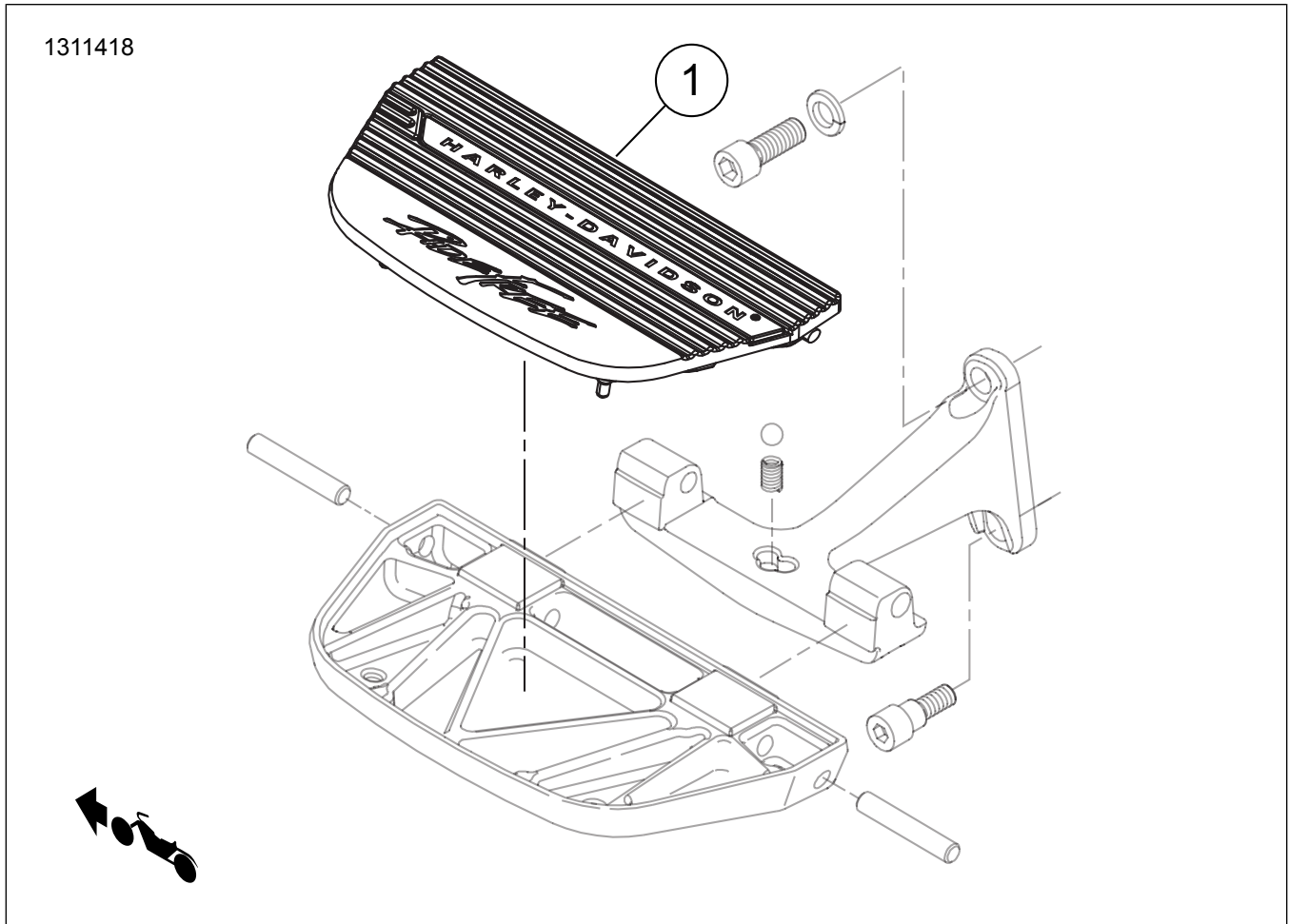


Figure 1. Kit Contents: Footboard Insert Components (Left side shown)

Table 2. Kit Contents: Footboard Insert Components

<input checked="" type="checkbox"/>	Item	Qty	Description	Part No.	Notes
<input type="checkbox"/>	1	2	Footboard, passenger	Not sold separately	

NOTE

Verify all contents are present in the kit before installing or removing items from vehicle.



GENERAL

Models

For model fitment information, please see the P&A Retail Catalog or the Parts and Accessories section of www.harley-davidson.com (English only).

Ensure you are using the most current version of the instruction sheet which is available at: www.harley-davidson.com/isheets

Contact Harley-Davidson Customer Support Center at 1-800-258-2464 (U.S. only) or 1-414-343-4056.

Installation Requirements

This kit contains two foot board inserts.

There are no service parts available with this kit.

NOTE

Black Footboard inserts 50549-08 and 50627-08 are designed to show signs of wear. Over time the paint will wear off giving a distressed look.

⚠ WARNING

Rider and passenger safety depend upon the correct installation of this kit. If the procedure is not within your capabilities or you do not have the correct tools, have a Harley-Davidson dealer perform the installation. Improper installation of this kit could result in death or serious injury. (00308b)

REMOVE

1. Remove existing footboard inserts.
 - a. Apply liquid dishwashing soap to footboard insert rubber beads protruding through bottom of footboard.
 - b. Pry footboard insert out from the top of footboard to remove insert.

INSTALL

NOTE

Medallion of Ride Free inserts should be toward rear of vehicle.

1. Install **new** footboard inserts.
 - a. Apply liquid dishwashing soap to **new** footboard insert rubber beads.
 - b. Place footboard insert into position on footboard.
 - c. Use pliers to pull each rubber bead into its footboard hole until beads protrude through footboard.
 - d. Repeat above steps for remaining footboard insert.