



INSTRUCTIONS

J03863

2015-09-15



DYNA SOLO SEAT KIT

GENERAL

Kit Number

51933-06, 54384-11

Models

For model fitment information, see the P&A Retail Catalog or the Parts and Accessories section of www.harley-davidson.com (English only).

⚠ WARNING

Rider and passenger safety depend upon the correct installation of this kit. If the procedure is not within your capabilities or you do not have the correct tools, have a Harley-Davidson dealer perform the installation. Improper installation of this kit could result in death or serious injury. (00308b)

Kit Contents

See Figure 3 and Table 1.

INSTALLATION

For Vehicles Equipped with Stock Solo Seat

NOTE

When a solo seat is installed without a passenger seat, the passenger footpegs or footboards and the passenger grab strap must be removed.

1. See Figure 3. To remove stock seat, remove screw (C) to detach rear seat mounting bracket (3) from fender. Slide seat rearward to unhook front of seat from frame. Take care not to scratch fender or tank painted surfaces with seat brackets. Save rear seat mounting screw.

⚠ WARNING

After installing seat, pull upward on seat to be sure it is locked in position. While riding, a loose seat can shift causing loss of control, which could result in death or serious injury. (00070b)

2. Install the new solo seat by sliding seat into position until front tab engages frame. Secure mounting bracket (3) to fender with screw (C) saved in step 1.
3. When installing seat with a passenger pillion refer to pillion instruction sheet to install pillion and grab strap.

For Vehicles Equipped with Stock two-up seat

1. See Figure 3. Remove screw (C) from stock seat to detach rear seat mount bracket (3) from fender. Slide seat rearward to unhook front of seat from frame. Slide rear of seat through grab strap to remove. Do not scratch fender or tank painted surfaces with seat brackets. Save rear seat mounting screw.
2. Remove grab strap and mounting hardware and discard. When installing seat with a passenger pillion refer to pillion instruction sheet to install pillion and grab strap.

NOTE

Plug (part number 732) purchased separately can be used to plug the grab strap hole. Plug (part number 732) purchased separately can be used to plug the rear most fender hole, if needed.

3. See Figure 1. Remove retention washer and retention nut (1) from the rearward mounting hole (3). Install retention washer and retention nut (1) into the forward fender hole (4). The rear seat bracket attaches here. A cable strap is included in this kit and aids in this installation. See Figure 2.



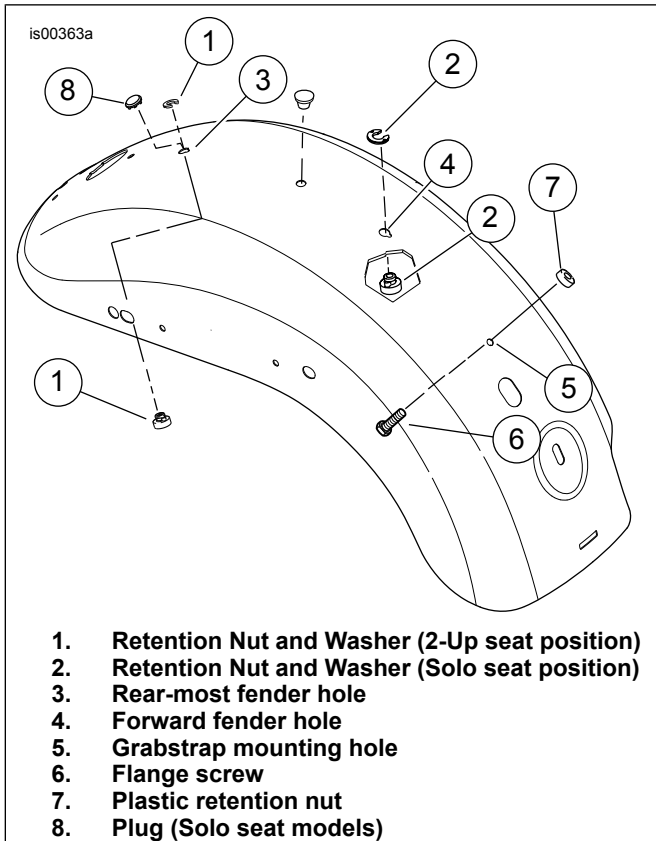


Figure 1. Retention Nut Location

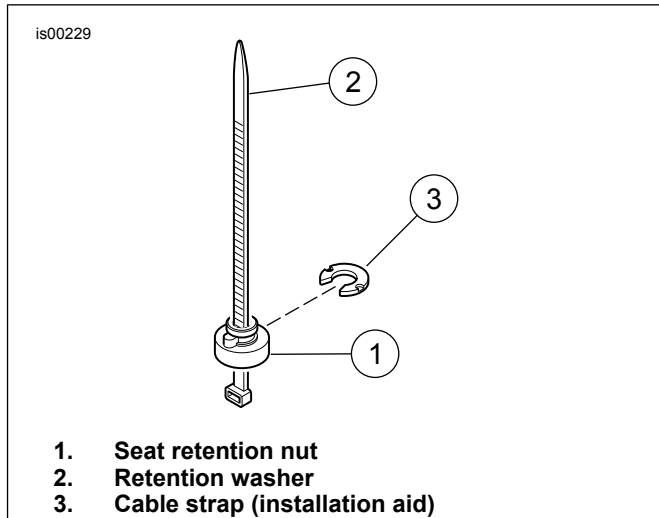


Figure 2. Retention Nut Installation

4. See Figure 2. Place the retention nut (1) over the cable strap (3) so the wide end of the nut rests on the eye of the cable strap. Thread the cable strap up under the fender and through the fender hole. Pull up on the cable strap to hold the nut snug against the underside of the fender.
5. With the rib on the retention nut seated into the notch in the fender hole, slide the retention washer (2) into place from the rear. This locks the retention nut in place.

⚠ WARNING

After installing seat, pull upward on seat to be sure it is locked in position. While riding, a loose seat can shift causing loss of control, which could result in death or serious injury. (00070b)

6. Slide the new solo seat into position until front tab engages frame. Secure bracket to fender using screw saved in step 1.

SERVICE PARTS

is00765a

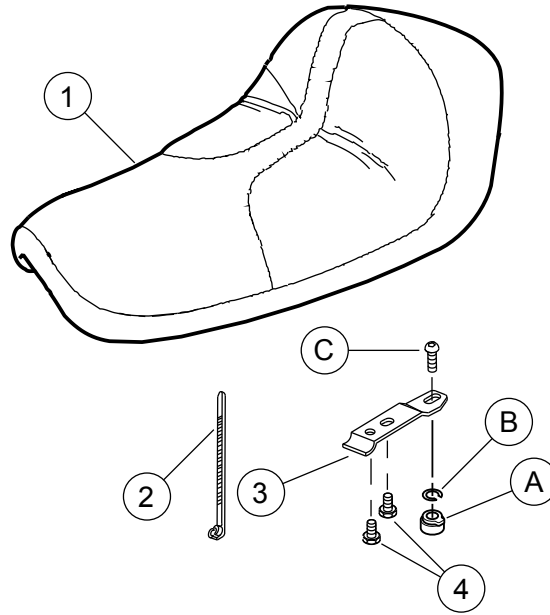


Figure 3. Service Parts: Dyna Solo Seat

Table 1. Service Parts Table

Kit	Item	Description (Quantity)	Part Number
Kit 51933-06	1	Seat	Not Sold Separately
	2	Cable strap	10039
	3	Mounting bracket	51652-97
	4	Screw, hex (2)	3588
Kit 54384-11	1	Seat	Not Sold Separately
	2	Cable strap	10039
Items mentioned in text, but not included in kit:			
	A	Retention nut	7488
	B	Retention washer	7489A
	C	Screw	2952A