



INSTRUCTIONS

94100537

2024-04-30



OVERWATCH THROW-OVER SADDLEBAGS

GENERAL INFORMATION

Table 1. General Information

Kits	Suggested Tools	Skill Level ⁽¹⁾
90202693	Safety Glasses, Torque Wrench, Isopropyl alcohol	
<i>(1) Tightening to torque value or other moderate tools and techniques required</i>		

KIT CONTENTS

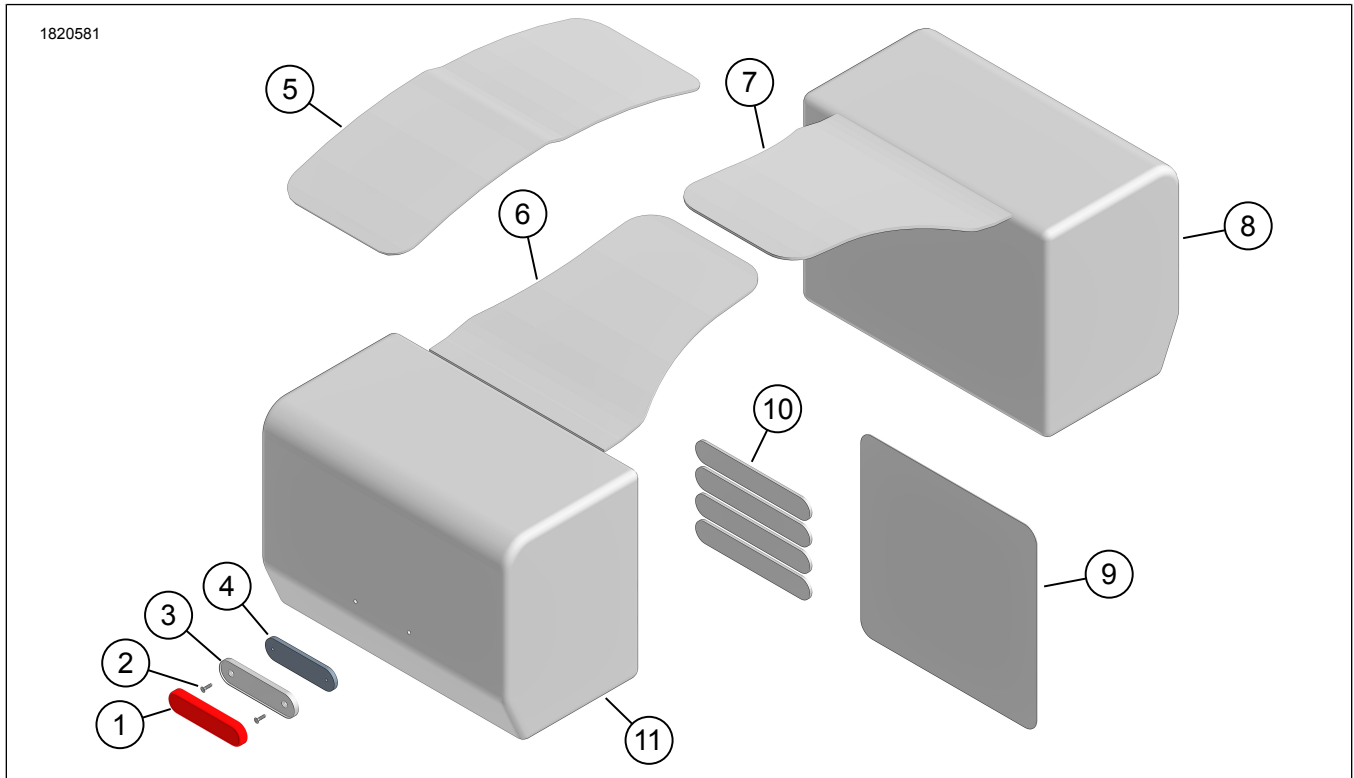


Figure 1. Kit Contents: Overwatch Throw-Over Saddlebags

Table 2. Kit Contents: Overwatch Throw-Over Saddlebags

<input checked="" type="checkbox"/>	Verify that all contents are present in the kit before installing or removing items from vehicle.				
Item	Qty	Description	Part No.	Notes	
<input type="checkbox"/>	1	2	Reflector, red	Not sold separately	Order Reflector kit (Part No. 57300436). Includes items 1-4.
<input type="checkbox"/>	2	2	Screw	Not sold separately	
<input type="checkbox"/>	3	2	Reflector plate, outer	Not sold separately	
<input type="checkbox"/>	4	2	Reflector plate, inner	Not sold separately	
<input type="checkbox"/>	5	1	Yoke, Center	Not sold separately	Order Throw-Over Yoke kit (Part No. 90202774). Items include 5-7.
<input type="checkbox"/>	6	1	Yoke, Right	Not sold separately	
<input type="checkbox"/>	7	1	Yoke, Left	Not sold separately	
<input type="checkbox"/>	8	1	Saddlebag, left	90202773	
<input type="checkbox"/>	9	1	Transparent paint guard	90202776	
<input type="checkbox"/>	10	4	Hook and loop strap	90202775	
<input type="checkbox"/>	11	1	Saddlebag, right	90202773	
<input type="checkbox"/>	12	2	Inner dry bag	90202777	Not shown

GENERAL

Models

For model fitment information, see the Parts and Accessories (P&A) Retail Catalog or the Parts and Accessories section of www.harley-davidson.com.

Verify that the most current version of the instruction sheet is used. It is available at: h-d.com/isheets

Contact Harley-Davidson Customer Support Center at 1-800-258-2464 (U.S. only) or 1-414-343-4056.

Installation Requirements

▲ WARNING

Rider and passenger safety depend upon the correct installation of this kit. If the procedure is not within your capabilities or you do not have the correct tools, have a Harley-Davidson dealer perform the installation. Improper installation of this kit could result in death or serious injury. (00308b)

NOTE

This instruction sheet references service manual information. A service manual for the year and model motorcycle is required for this installation and is available from:

- A Harley-Davidson dealer.
- H-D Service Information Portal, a subscription-based access available for most 2001 and newer models. For more information see *Frequently ask questions about subscriptions*.

These items are available at your local Harley-Davidson dealership.

- **2022 and later Nightster models:** Separate purchase of Overwatch Throw-Over Saddlebag Support kit (Part No. 90202689) is **required** for installation.
- **2018 and later Softail (FLSL, FXBB, FXBBS, FXST):** Separate purchase of Saddlebag Support kit (Part No. 90201777) is **required** for installation.
- **2006-2017 and later Dyna models:** Separate purchase of Saddlebag Support kit (Part No. 91017-10A) is **required** for installation.
- **2000 and later XL models (except 1200CX, 1200S, 1200T and 2002-03 883R):** Separate purchase of Saddlebag Support kit (Part No. 90201324) is **required** for installation.

PREPARE

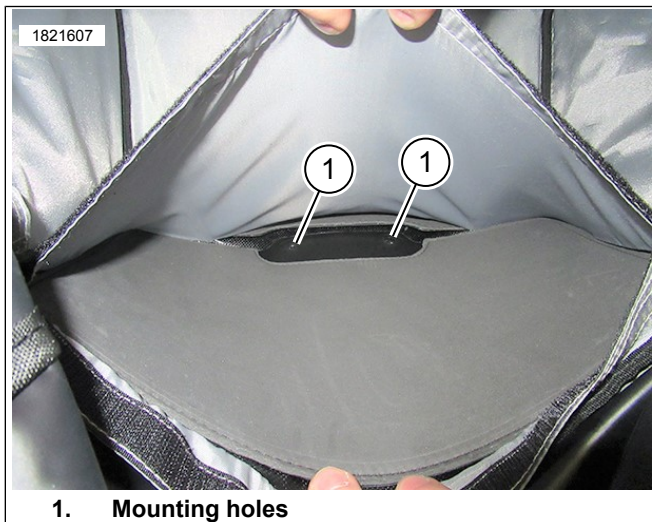
1. Install reflector.
 - a. If installed, remove inner dry bag.
 - b. Figure 2 Separate inner (1) and outer (2) saddlebag liners.



1. Inner liner
2. Outer liner

Figure 2. Gain Access

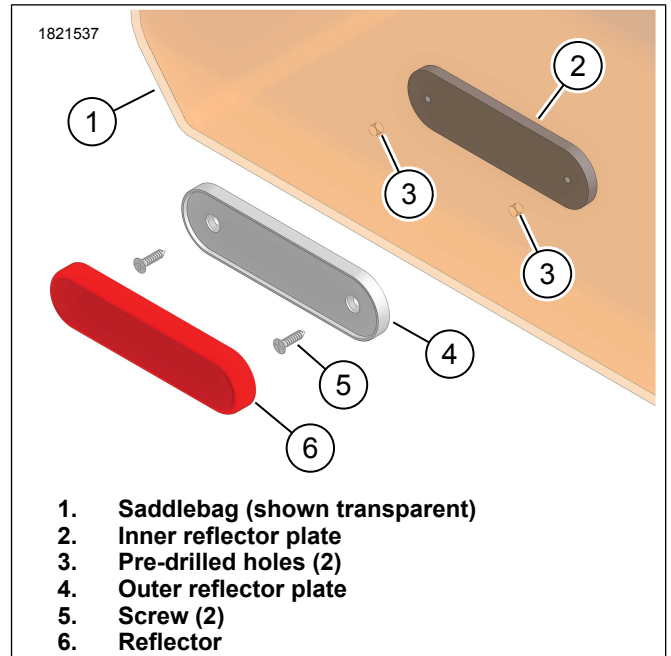
- c. Figure 3 Gain access to bottom of saddlebag and locate mounting holes (1).



1. Mounting holes

Figure 3. Mounting Holes

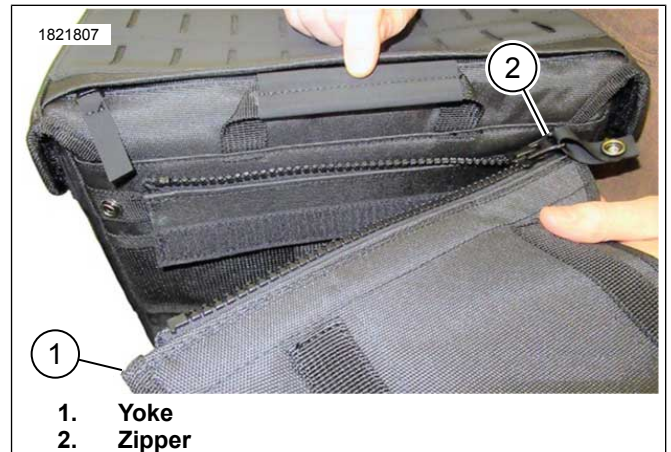
- d. Figure 4 Install inner reflector plate (2) into saddlebag.
- e. Align inner plate (2) holes with pre-drilled holes (3) in saddlebag (1).
- f. Align and install outer (4) reflector plate to saddlebag (1).
- g. Install screw (5) and tighten.
- h. Remove adhesive backing from reflector (6).
- i. Adhere reflector directly to outer plate (4).



1. Saddlebag (shown transparent)
2. Inner reflector plate
3. Pre-drilled holes (2)
4. Outer reflector plate
5. Screw (2)
6. Reflector

Figure 4. Reflector Assembly

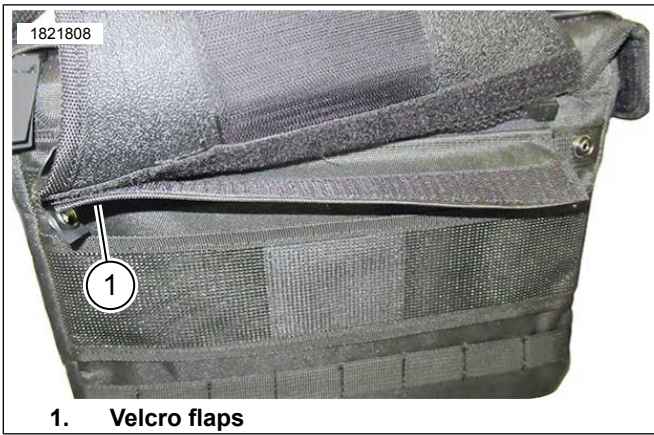
2. Install left and right yokes to saddlebags.
 - a. Figure 5 Install yoke (1) to saddlebag, zip tight (2).



1. Yoke
2. Zipper

Figure 5. Install Yoke

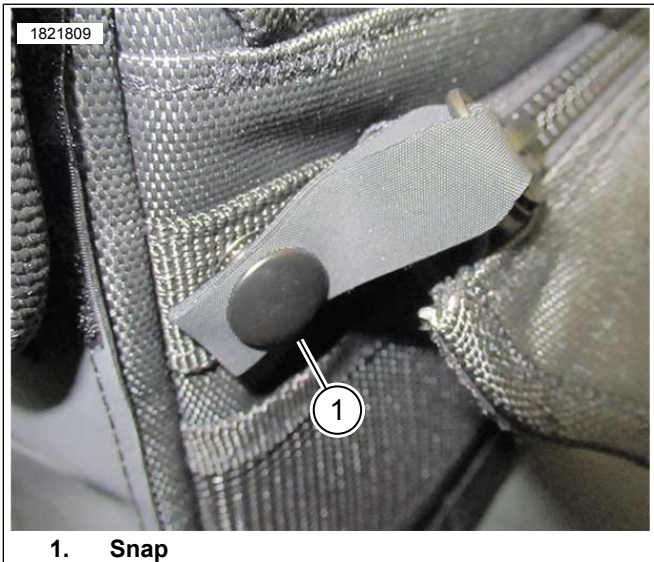
- b. Figure 6 Secure yoke to saddlebag using Velcro flaps (1).



1. Velcro flaps

Figure 6. Velcro Flaps

c. Figure 7 Snap (1) zipper end to saddlebag.



1. Snap

Figure 7. Secure with Snap

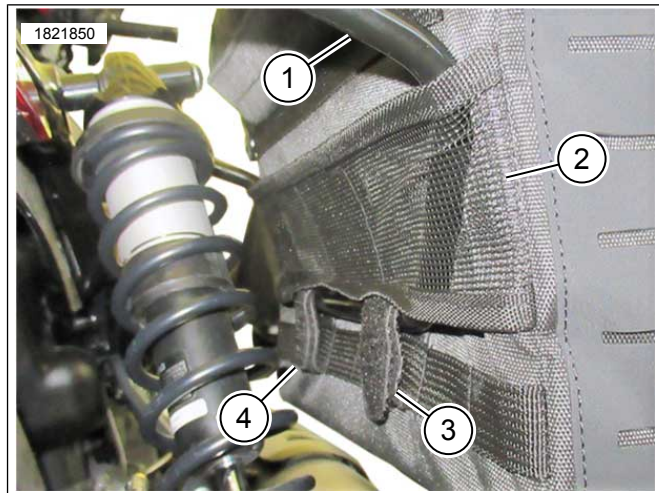
INSTALL

NOTE

See *Installation Requirements for saddlebag support*.

Saddlebags can be used with or without a passenger seat. Yoke can be installed under or over passenger seat, whichever fits better depending on model and passenger seat setup.

1. If installed, remove passenger seat.
2. Install saddlebag.
 - a. Figure 8 Insert saddlebag support (1) into mesh lining (2).
 - b. Adjust as needed.
3. Support saddlebag.
4. Install front and rear hook and loop straps (3, 4).
5. Repeat procedure on opposite side.



1. Saddlebag support
2. Mesh lining
3. Rear hook and loop strap
4. Front hook and loop strap

Figure 8. Saddlebag Installation

6. Figure 9 Test fit left (1) and right (2) yokes over rear fender. Do not secure straps at this time.
 - a. If there is a gap, install center yoke.
 - b. Velcro center yoke into place.



1. Left yoke
2. Right yoke

Figure 9. Yoke Installation

7. Figure 1 Test fit transparent paint guard (9) under yoke pieces.
 - a. Mark cutting locations on paint guard.
 - b. Remove yokes pieces from fender area.
 - c. Clean fender area with 50/50 alcohol and water mixture.
 - d. Cut paint guard to fit and install.

8. Figure 10 Install yokes pieces (4, 5)(6 if required) over fender and secure.
 - a. Connect quick-release buckles (1).
 - b. Pull on straps to tighten assembly.
 - c. Secure excess strap (2) in strap bungee (3).

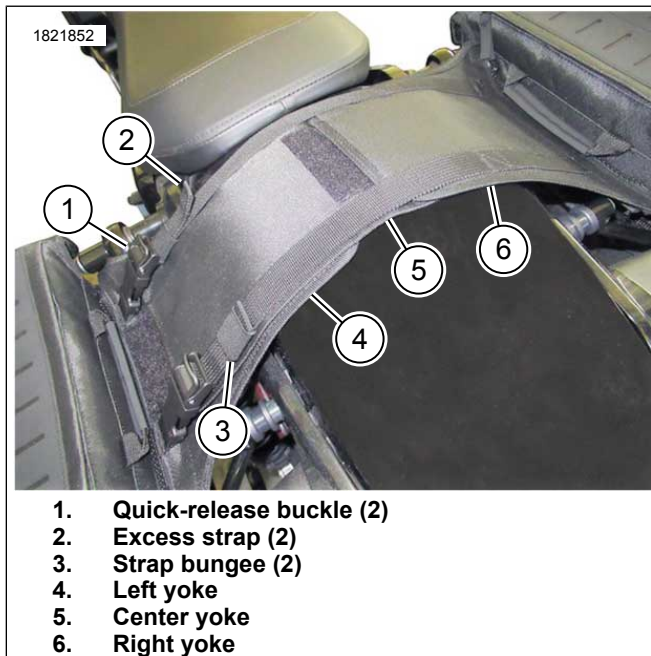


Figure 10. Yoke Assembled

9. Make overall adjustments as needed.
10. Make sure saddlebag assembly is tightly secured to vehicle.
 - a. Figure 11 Make sure there is adequate saddlebag (1) to exhaust clearance (2).
11. If removed, install passenger seat.



Figure 11. Exhaust Clearance

GETTING READY FOR TRAVEL

1. Figure 12 If using dry bag:
 - a. Install dry bag into saddlebag.
 - b. Secure dry bag to saddlebag by using magnetic locks (1, 2).



Figure 12. Dry Bag Install

2. Figure 13 Roll up (1) top of bag and insert into saddlebag.

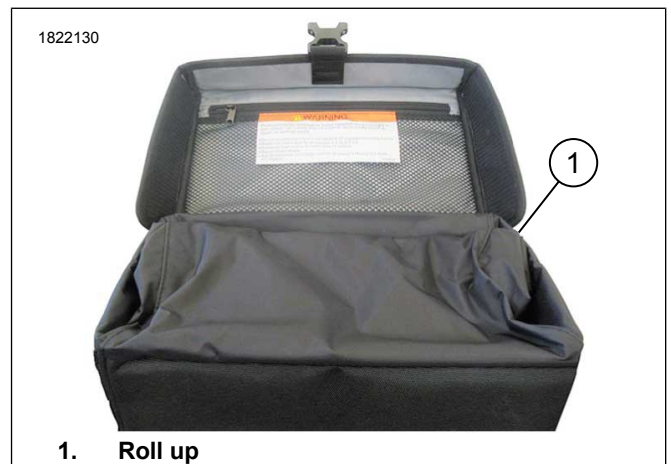


Figure 13. Roll Up

3. Figure 14 Secure saddlebag.
 - a. Connect quick-release buckles (1).
 - b. Pull on excess strap (2) to tighten.
 - c. Secure excess strap (2) in strap bungee (3).

1822131



Figure 14. Secure Saddlebag

MAINTENANCE

1. Use a lint free cloth to wipe off any dust or dirt.
2. Thoroughly clean outer surface with warm water and a mild detergent.
3. Do not use artificial means to dry material quickly.
4. Contains one or more of the following materials:
 - a. Polyester
 - b. Polypropylene
 - c. Polyethylene
 - d. Polyvinyl chloride