



# INSTRUCTIONS

J03656

2019-08-21



## TIMER COVER KITS

Table 1. General Information

Kits	Suggested Tools	Skill Level <sup>(1)</sup>	Time
32972-04A, 32668-98A, 32581-90TB, 32675-04A, 32584-88TA, 32520-10, 32541-10, 25600003, 25600009, 25600025, 25600027, 25600047, 25600060, 25600059, 25600089, 25600134, 25600140	Safety Glasses		1 hour

(1) Only simple tools and techniques required

### KIT CONTENTS

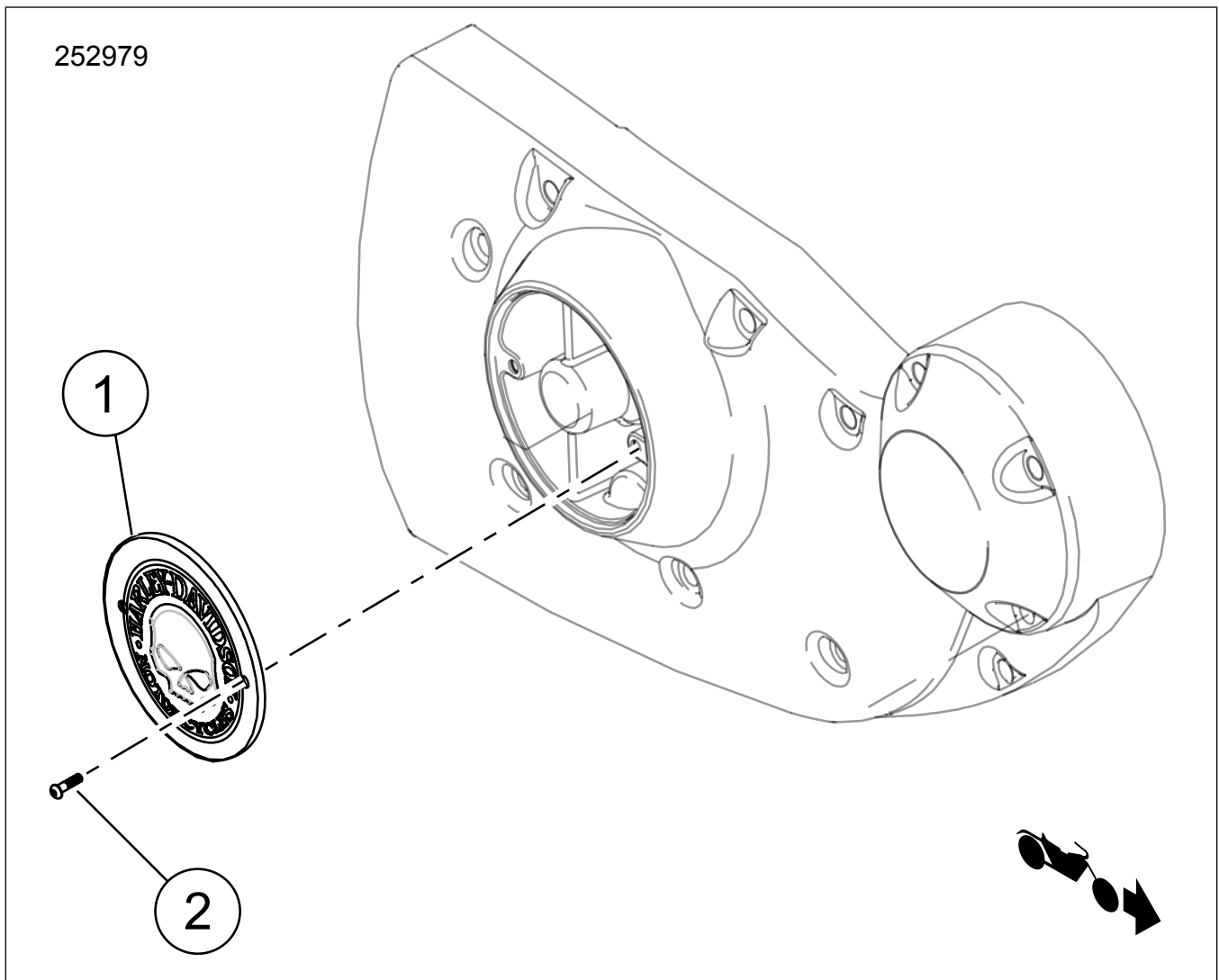


Figure 1. Kit Contents: Timer Cover Components



**Table 2. Kit Contents: Timer Cover Components**

<input checked="" type="checkbox"/>	Item	Qty	Description	Part No.	Notes
<input type="checkbox"/>	1	1	Timer cover	Not sold separately	
<input type="checkbox"/>	2	2	Screw, TORX®, chrome, (Kit 25600140)	9462	
<input type="checkbox"/>		2	Screw, hex, black oxide, (Kit 25600059)	10200434	
<input type="checkbox"/>		2	Screw, TORX®, black, (Kit 25600089)	10200614	
<input type="checkbox"/>		2	Screw, button head, black (Kit 25600134)	10200812	

**NOTE**

Verify all contents are present in the kit before installing or removing items from vehicle.

**GENERAL**

**Models**

For model fitment information, please see the P&A Retail Catalog or the Parts and Accessories section of [www.harley-davidson.com](http://www.harley-davidson.com) (English only).

Ensure you are using the most current version of the instruction sheet which is available at: [www.harley-davidson.com/isheets](http://www.harley-davidson.com/isheets)

Contact Harley-Davidson Customer Support Center at 1-800-258-2464 (U.S. only) or 1-414-343-4056.

**Installation Requirements**

**▲ WARNING**

Rider and passenger safety depend upon the correct installation of this kit. If the procedure is not within your capabilities or you do not have the correct tools, have a Harley-Davidson dealer perform the installation. Improper installation of this kit could result in death or serious injury. (00308b)

**REMOVE**

**▲ WARNING**

Disconnect negative (-) battery cable first. If positive (+) cable should contact ground with negative (-) cable connected, the resulting sparks can cause a battery explosion, which could result in death or serious injury. (00049a)

1. Disconnect negative battery (-) cable or remove main fuse. See owner's manual.
2. See Figure 1. Remove and discard the Original Equipment (OE) screws and timer cover.

**INSTALL**

1. Place **new** timer cover (1) in position.
2. Secure with screws (2).

3. Connect negative battery (-) or install main fuse. See owner's manual.

**SPECIAL CARE INSTRUCTIONS**

**Kit 25600140:** Bare Aluminum wheel Protectant Wipes Part No. 93600063 can be applied to "RideFree" text for added corrosion protection.

**NOTE**

To prevent damage to the chrome surface, do not use any detergents, chemical solvents, polishes or abrasive cleaning agents.

To keep this surface in the best condition, lightly wipe with a MICROFIBER DETAILING CLOTH (94663-02) using clear water or a mild Harley-Davidson cleaner such as:

- SUNWASH® BIKE SOAP (93600023)
- HARLEY BUG REMOVER (93600122)
- GLOSS DETAILER (93600123)

**NOTE**

These cleaners are available from a Harley-Davidson dealer.

**CARE AND CLEANING GUIDELINES FOR BRASS PARTS**

**Cleaning Instructions**

1. Verify part is dry and free of dirt or debris.
2. Place a small amount of Harley-Davidson® Chrome Clean & Shine on a microfiber cloth or detailing swab.
3. Using light pressure, rub the brass parts with the microfiber cloth. For hard to reach places or grooves, use the detailing swab.

**Obtaining a Bright Finish**

Brass parts will naturally age and darken with time. If a bright brass finish is preferred, place some Harley-Davidson Bare Metal Polish on a microfiber cloth and lightly rub on the brass parts until they reach the desired brightness.

**Slowing the Natural Aging Process**

To slow the aging process of the brass parts, place a small amount of Harley-Davidson Glaze Poly Sealant on a microfiber cloth or detailing swab, and lightly rub on the parts until the sealant has soaked in.

## Precautions

- Use of non-recommended cleaning, polishing and protective products will result in the removal of the aged finish from the brass parts.
- Prolonged contact with certain items (hands, gloves, boots, dust, etc.) and exposure to the elements will also alter all surface finishes and is NOT considered a defect.
- Avoid cleaning parts with abrasive and aggressive chemicals and abrasive cleaning pads.
- Avoid ammoniated products and bleach.
- Prolonged exposure to water will alter the brass finish. Wipe down parts after contact with water.
- Excess rubbing may lighten the surface appearance of the part.

### NOTE

*These cleaners are available from a Harley-Davidson dealer.*

## CARE AND CLEANING GUIDELINES FOR BRASS PARTS

### Cleaning Instructions

1. Verify part is dry and free of dirt or debris.
2. Place a small amount of Harley-Davidson® Chrome Clean & Shine on a microfiber cloth or detailing swab.
3. Using light pressure, rub the brass parts with the microfiber cloth. For hard to reach places or grooves, use the detailing swab.

### Obtaining a Bright Finish

Brass parts will naturally age and darken with time. If a bright brass finish is preferred, place some Harley-Davidson Bare Metal Polish on a microfiber cloth and lightly rub on the brass parts until they reach the desired brightness.

### Slowing the Natural Aging Process

To slow the aging process of the brass parts, place a small amount of Harley-Davidson Glaze Poly Sealant on a microfiber cloth or detailing swab, and lightly rub on the parts until the sealant has soaked in.

## Precautions

- Use of non-recommended cleaning, polishing and protective products will result in the removal of the aged finish from the brass parts.
- Prolonged contact with certain items (hands, gloves, boots, dust, etc.) and exposure to the elements will also alter all surface finishes and is NOT considered a defect.
- Avoid cleaning parts with abrasive and aggressive chemicals and abrasive cleaning pads.
- Avoid ammoniated products and bleach.
- Prolonged exposure to water will alter the brass finish. Wipe down parts after contact with water.
- Excess rubbing may lighten the surface appearance of the part.