



INSTRUCTIONS

J06529

2021-08-02



BRAKE PEDAL PAD KIT

GENERAL

Kit Numbers

50600248, 50600255, 50600256, 50600257, 50600258, 50600259, 50600466, 50600467, 50600468

Models

For model fitment information, see the P&A retail catalog or the Parts and Accessories section of www.harley-davidson.com (English only).

⚠ WARNING

Rider and passenger safety depend upon the correct installation of this kit. If the procedure is not within your capabilities or you do not have the correct tools, have a Harley-Davidson dealer perform the installation. Improper installation of this kit could result in death or serious injury. (00308b)

Kit Contents

See Figure 1, Table 1 and Figure 2, Table 2.

REMOVE

1. Remove brake pedal pad from vehicle foot brake lever. Discard pad.

INSTALL

Small Brake Pedal Pads: Kits 50600248, 50600255, 50600256

1. See Figure 1. Align **new** brake pedal pad (1) with recess in trim cover (2).
2. Insert threaded stud through holes in trim cover and vehicle foot brake lever.
3. Install plain washer (3) onto threaded stud.
4. Thread 1/4-20 hex locknut (4) onto stud. Tighten.
Torque: 13.6 N·m (10 ft-lbs)

Large Brake Pedal Pads: Kits 50600257, 50600258, 50600259, 50600466, 50600467, 50600468

1. Figure 2 Align **new** brake pedal assembly (1) with vehicle foot brake lever.
2. Install plain washer (2) onto bolt (3).
3. Thread bolt through foot brake lever and into brake pedal assembly. Tighten.
Torque: 26 N·m (19 ft-lbs)

NOTE

Apply *LOCTITE 243 MEDIUM STRENGTH THREADLOCKER AND SEALANT (BLUE) (99642-97)* to main bolt (3).

SERVICE PARTS

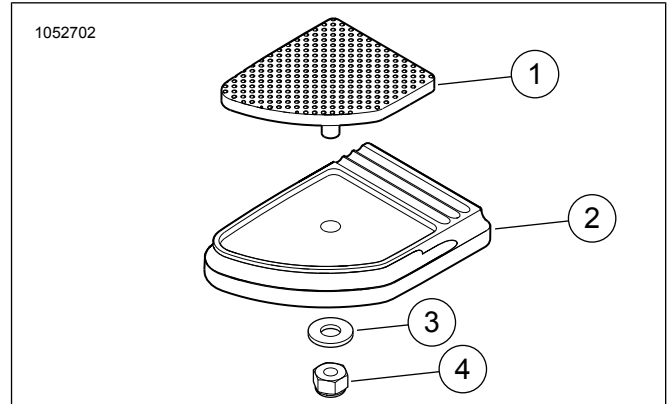


Figure 1. Service Parts: Small Brake Pedal Pad Kit

Table 1. Service Parts: Small Brake Pedal Pad Kit

Item	Description (Quantity)	Part Number
1	Pad, brake pedal	Not sold separately
2	Trim cover, brake pedal	Not sold separately
3	Washer	6703
4	Hex locknut, 1/4-20	7686

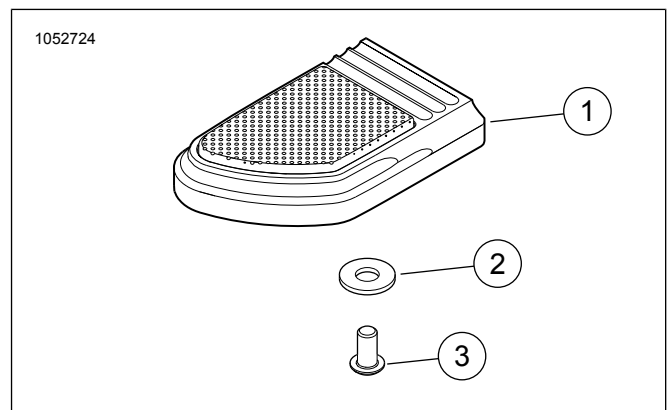


Figure 2. Service Parts: Large Brake Pedal Pad Kit

Table 2. Service Parts: Large Brake Pedal Pad Kit

Item	Description (Quantity)	Part Number
1	Brake pedal assembly	Not sold separately
2	Washer	6333
3	Bolt	3540
	Bolt (Kits 50600466, 50600467, 50600468)	10201203

