



INSTRUCTIONS

J06773

2021-08-02



RIDER FOOTPEG

GENERAL INFORMATION

Table 1. General Information

Kits	Suggested Tools	Skill Level ⁽¹⁾
50501641, 50501684, 50502020	Safety Glasses, Torque Wrench, E-Clip Tool, Loctite 243 Blue	

(1) Tightening to torque value or other moderate tools and techniques required

KIT CONTENTS

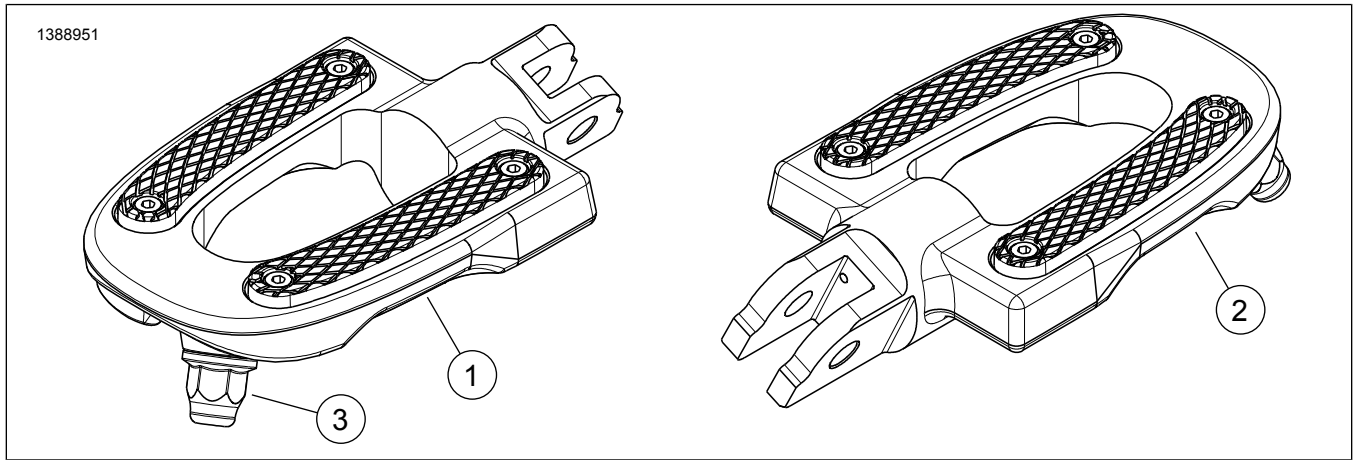


Figure 1. Kit Contents: Rider Footpeg Components

Table 2. Kit Contents: Rider Footpeg Components

<input checked="" type="checkbox"/>	Item	Qty	Description	Part No.	Notes
<input type="checkbox"/>	1	1	Footpeg, rider right side, graphite	50501685	
<input type="checkbox"/>		1	Footpeg, rider right side, black	50501686	
<input type="checkbox"/>		1	Footpeg, rider right side, black	50502018	
<input type="checkbox"/>	2	1	Footpeg, rider left side, graphite	50501687	
<input type="checkbox"/>		1	Footpeg, rider left side, black	50501688	
<input type="checkbox"/>		1	Footpeg, rider left side, black	50502019	
<input type="checkbox"/>	3	2	Wear peg	50501135	

NOTE

Verify that all contents are present in the kit before installing or removing items from vehicle.

GENERAL

Models

For model fitment information, see the P&A Retail Catalog or the Parts and Accessories section of www.harley-davidson.com (English only).



Verify that the most current version of the instruction sheet is used. It is available at: www.harley-davidson.com/isheets

Contact Harley-Davidson Customer Support Center at 1-800-258-2464 (U.S. only) or 1-414-343-4056.

Installation Requirements

⚠ WARNING

Rider and passenger safety depend upon the correct installation of this kit. If the procedure is not within your capabilities or you do not have the correct tools, have a Harley-Davidson dealer perform the installation. Improper installation of this kit could result in death or serious injury. (00308b)

REMOVE

1. **Softtail models:** Figure 2 Remove pin (4) and E-clip (2). Retain for later use.
2. **Models equipped with Revolution Max engines:** Figure 4 Depress spring loaded detent and remove clevis pin (1).
3. Save all hardware including torsion spring (1) for installation of **new** footpegs (3).

INSTALL

1. Figure 2 Insert short leg of torsion spring (1) into hole in **new** footpeg (3).

NOTE

When performing the next step, verify that the torsion spring is positioned inside of the footpeg.

2. Align long leg of torsion spring (1) to hole in footpeg mount and insert.
3. Rotate footpeg (3) into position in clevis and insert clevis pin (4) through clevis, footpeg (3) and torsion spring (1).
4. **Softtail models:** Install E-clip (2).
Special Tool: E-CLIP TOOL (HD-52369)
5. **Models equipped with Revolution Max engines:** Figure 4 Install clevis pin (1).
6. Repeat steps for other side.

Wear Tip Replacement

1. When servicing wear tip, remove existing wear tip from footpeg.
2. Apply two or three drops of threadlocker to threads of **new** wear tip.
Consumable: LOCTITE 243 MEDIUM STRENGTH THREADLOCKER AND SEALANT (BLUE) (99642-97)
3. Install **new** wear tip to footpeg. Tighten.
Torque: 3.38–4.74 N·m (30–42 in-lbs)

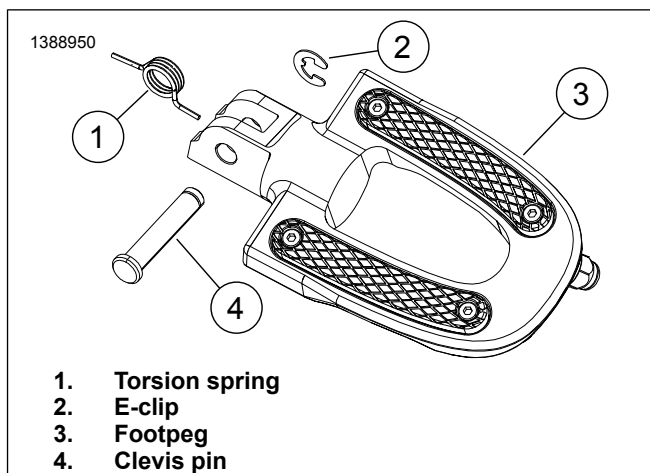


Figure 2. Rider Footpeg Torsion Spring Installation

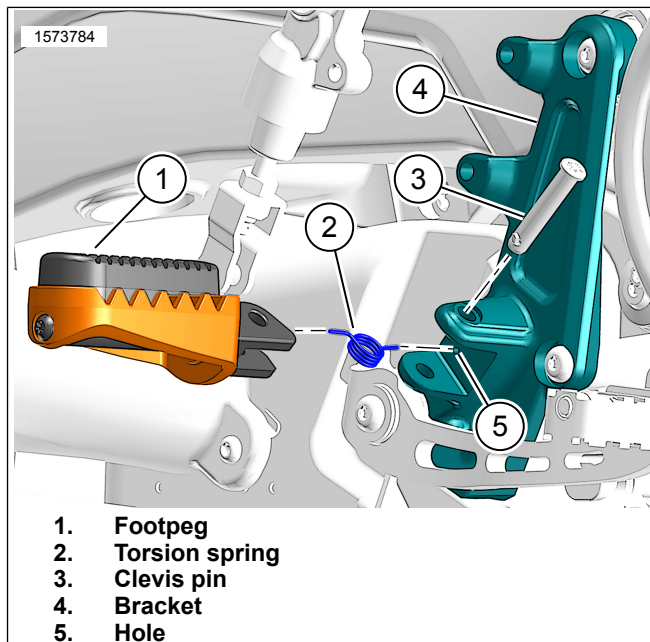


Figure 3. Remove/Install Footpeg Assembly w/ Spring Loaded Detent

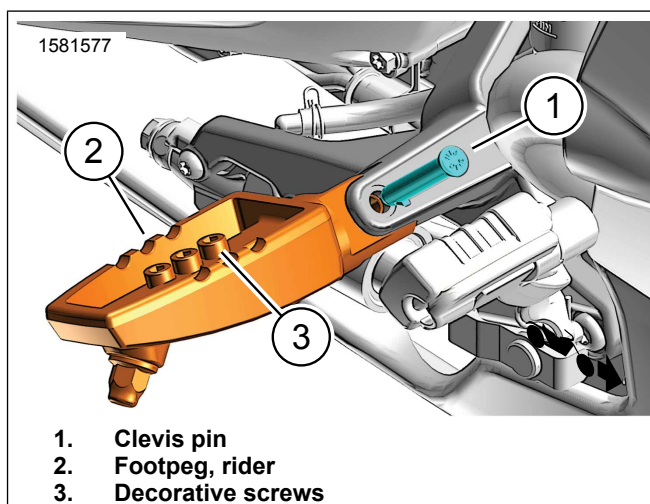


Figure 4. Install Footpeg Assembly w/ Spring Loaded Detent

NOTE

Figure 4 Screws on centerline of footpegs are for decorative purpose only. Do not tighten.