



# INSTRUCTIONS

J06774

2021-08-02



## PASSENGER FOOTPEG

### GENERAL INFORMATION

Table 1. General Information

Kits	Suggested Tools	Skill Level <sup>(1)</sup>
50501643, 50501644, 50502026	Safety Glasses, E-Clip Tool	
<i>(1) Only simple tools and techniques required</i>		

### KIT CONTENTS

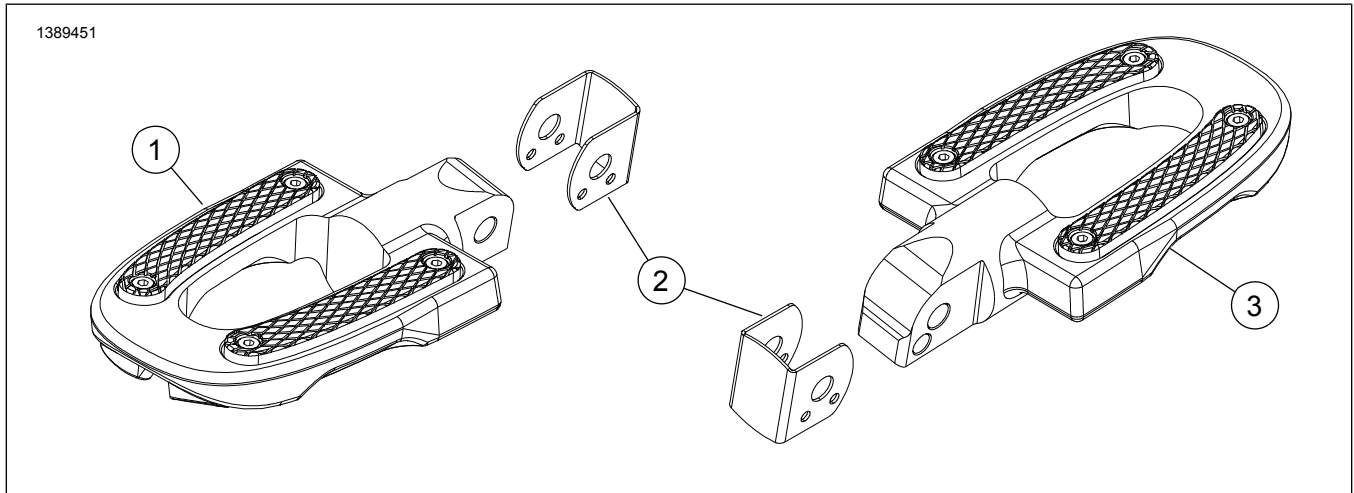


Figure 1. Kit Contents: Passenger Footpeg Components

Table 2. Kit Contents: Passenger Footpeg Components

<input checked="" type="checkbox"/>	Item	Qty	Description	Part No.	Notes
<input type="checkbox"/>	1	1	Footpeg, passenger, right side, graphite	50501706	
<input type="checkbox"/>		1	Footpeg, passenger, right side, black	50501707	
<input type="checkbox"/>		1	Footpeg, passenger, right side, black	50502024	
<input type="checkbox"/>	2	2	Plate, passenger footpeg, graphite	50502039	
<input type="checkbox"/>	3	1	Footpeg, passenger, left side, graphite	50501708	
<input type="checkbox"/>		1	Footpeg, passenger, left side, black	50501709	
<input type="checkbox"/>		1	Footpeg, passenger, left side, black	50502025	

#### NOTE

Verify that all contents are present in the kit before installing or removing items from vehicle.

### GENERAL

#### Models

For model fitment information, see the P&A Retail Catalog or the Parts and Accessories section of [www.harley-davidson.com](http://www.harley-davidson.com) (English only).



Verify that the most current version of the instruction sheet is used. It is available at: [www.harley-davidson.com/isheets](http://www.harley-davidson.com/isheets)

Contact Harley-Davidson Customer Support Center at 1-800-258-2464 (U.S. only) or 1-414-343-4056.

## Installation Requirements

### ▲ WARNING

Rider and passenger safety depend upon the correct installation of this kit. If the procedure is not within your capabilities or you do not have the correct tools, have a Harley-Davidson dealer perform the installation. Improper installation of this kit could result in death or serious injury. (00308b)

## REMOVE

1. **Softtail models:** Figure 2 Remove clevis pin (2) and E-clip (1). Retain for later use.
2. **Models equipped with Revolution Max engines:** Figure 3 Depress spring loaded detent and remove clevis pin (1).
3. Remove detent plate (5).
  - a. **Softtail models:** Discard detent plate.
  - b. **Models equipped with Revolution Max engines:** Retain detent plate.
4. Save all hardware including detent spring (7) and detent ball (6) for installation of **new** footpegs (3).

## INSTALL

1. Figure 2 Insert detent spring (7) into **new** footpeg (3).

### NOTE

When performing the next step, verify that the detent spring (7) is positioned inside of the footpeg (3).

2. Insert detent ball (6).
3. Install detent.
  - a. **Softtail models:** Position **new** detent plate (5) on footpeg clevis edge while capturing detent ball (6) and detent spring (7) inside detent plate (5) while sliding detent plate (5) onto footpeg clevis.
  - b. **Models equipped with Revolution Max engines:** Position retained detent plate (5) on footpeg clevis edge while capturing detent ball (6) and detent spring (7) inside detent plate (5) while sliding detent plate (5) onto footpeg clevis.
4. Align detent plate (5) and footpeg (3) with footpeg support on vehicle.
5. **Softtail models:** Install clevis pin (2) and E-clip (1).  
Special Tool: E-CLIP TOOL (HD-52369)
6. **Models equipped with Revolution Max engines:** Figure 3 Install clevis pin (1).

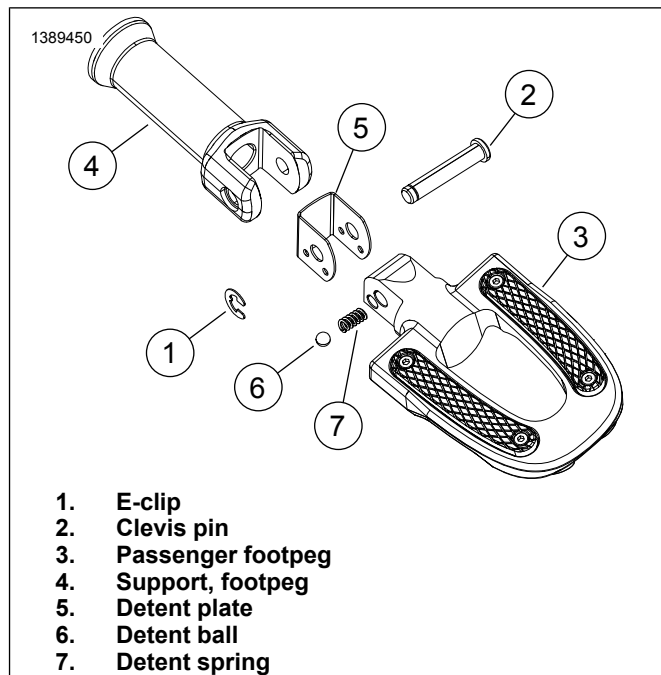


Figure 2. Remove/Install Footpeg Assembly

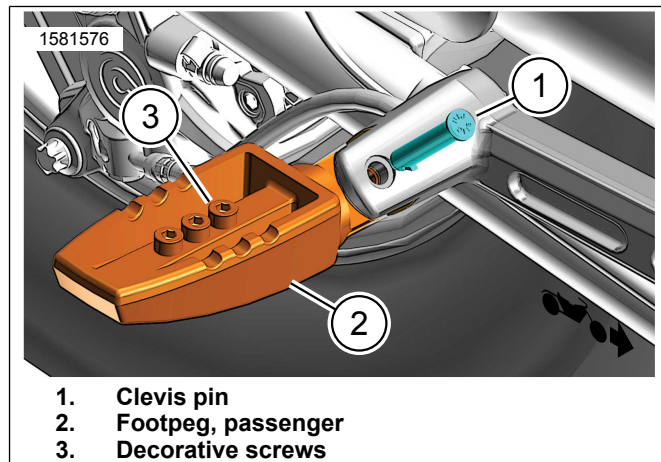


Figure 3. Kit 50502026: Install Footpeg Assembly w/ Spring Loaded Detent

### NOTE

Figure 3 Screws on centerline of footpegs are for decorative purpose only. Do not tighten.