



INSTRUCTIONS

J06509

2022-09-28



COMPACT BACKREST PAD KITS

GENERAL INFORMATION

Table 1. General Information

| Kits | Suggested Tools | Skill Level ⁽¹⁾ |
|---|-------------------------------|----------------------------|
| 52300556A, 52300555A, 52300558A, 52300559A, 52300617A | Safety Glasses, Torque Wrench | |
| <i>(1) Tightening to torque value or other moderate tools and techniques required</i> | | |

KIT CONTENTS

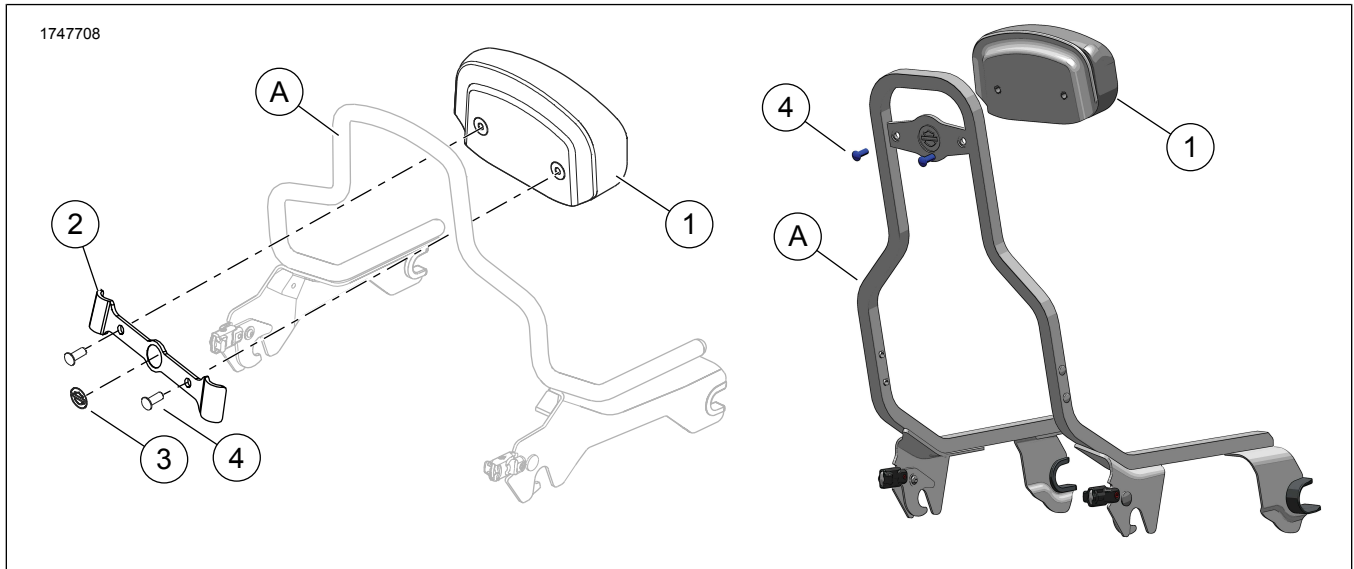


Figure 1. Kit Contents: Compact Backrest Pad Kit

Table 2. Kit Contents: Compact Backrest Pad Kit

| Verify that all contents are present in the kit before installing or removing items from vehicle. | | | | | |
|---|------|-----|--|---------------------|-------|
| <input checked="" type="checkbox"/> | Item | Qty | Description | Part No. | Notes |
| <input type="checkbox"/> | 1 | 1 | Backrest pad | Not sold separately | |
| <input type="checkbox"/> | 2 | 1 | Bracket, mounting | 52300565A | |
| <input type="checkbox"/> | 3 | 1 | Medallion | Not sold separately | |
| <input type="checkbox"/> | 4 | 2 | Screw | 94385-92T | |
| Items mentioned in text, but not included in kit | | | | | |
| <input checked="" type="checkbox"/> | A | 1 | Original Equipment (OE) Detachable sissy bar upright | | |

GENERAL

Models

For model fitment information, see the Parts and Accessories (P&A) Retail Catalog or the Parts and Accessories section of www.harley-davidson.com.

Verify that the most current version of the instruction sheet is used. It is available at: h-d.com/isheets

Contact Harley-Davidson Customer Support Center at 1-800-258-2464 (U.S. only) or 1-414-343-4056.



Installation Requirements

▲ WARNING

Rider and passenger safety depend upon the correct installation of this kit. If the procedure is not within your capabilities or you do not have the correct tools, have a Harley-Davidson dealer perform the installation. Improper installation of this kit could result in death or serious injury. (00308b)

INSTALL (TOURING/SOFTAIL)

1. Figure 1 Position backrest pad (1) so that contour in base aligns with top of OE sissy bar upright (A).

NOTE

- Side of bracket (3) are not symmetrical. Width at top is narrower than width at bottom.
 - Use a mixture of 50:50 isopropyl alcohol and water solution to thoroughly clean surface of OE upright (A) before installing bracket (2). Allow to dry completely. Install at room temperature. 10–32 °C (50–90 °F)
2. Remove adhesive backing from left and right sides of bracket (3).
 3. Figure 1 Place mounting bracket against pad so that OE sissy bar upright (A) is between pad (1) and bracket (2).
 4. Position and press bracket (2) firmly onto OE sissy bar upright (A).
 5. Insert screws (4). Tighten.
Torque: 6.8 N·m (60 in-lbs)

MEDALLION ALIGNMENT

1. Figure 1 Use a mixture of 50:50 isopropyl alcohol and water solution to thoroughly clean surface of OE sissy bar upright (A) before installing bracket (2). Allow to dry completely. Install at room temperature.
Temperature: 10–32 °C (50–90 °F)
2. Figure 2 Place a three inch piece of masking tape (2) centered over bar and shield of medallion (1).
3. Remove paper from adhesive backing.

NOTE

- Figure 3 Side of bracket (3) are not symmetrical. Width at top is narrower than width at bottom.
 - Figure 3 Align medallion horizontal bar (1) with lower edge (2) of bracket. These two must be parallel.
4. Figure 2 Install medallion to bracket.
 - a. Holding tape, lower medallion into recessed area on bracket.
 - b. Apply uniform pressure for one minute.

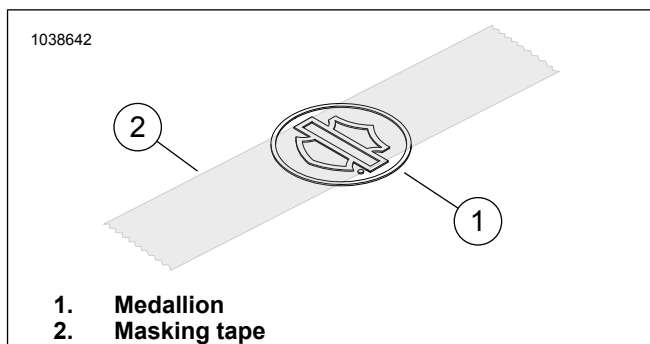


Figure 2. Apply Tape to Medallion

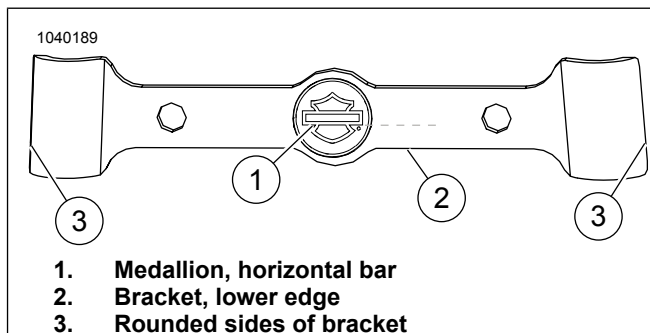


Figure 3. Medallion Alignment

BRACKET ATTACHMENT

1. Figure 1 If necessary, cut plastic rain seal away from pre-cut screw holes in backrest pad (1) to prevent plastic from catching in the threads.
2. Position backrest pad (1) so that contour in base aligns with top OE of sissy bar upright (A).

NOTE

- Figure 3 Sides of bracket (3) are not symmetrical. Width at top is narrower than width at bottom.
 - Figure 1 Use a mixture of 50:50 isopropyl alcohol and water solution to thoroughly clean surface of OE sissy bar upright (A) before installing bracket (2). Allow to dry completely. Install at room temperature. 10–32 °C (50–90 °F)
3. Figure 3 Remove adhesive backing from left and right sides of bracket (3).
 4. Figure 1 Place mounting bracket (2) against pad (1) so that OE sissy bar upright (A) is between pad and bracket.
 5. Position and press bracket (2) firmly onto OE sissy bar upright (A).
 6. Figure 1 Insert screws (4). Tighten.
Torque: 6.8 N·m (60 in-lbs)

INSTALL (RH975)

1. Figure 1 Align pad (1) with bracket (2).
2. Install screws (4). Tighten.
Torque: 6.8 N·m (60 in-lbs)