



INSTRUCTIONS

J03090

2021-08-02



BRAKE PEDAL PAD KIT

GENERAL

Kit Numbers

42710-04, 42711-04, 50600342, 50600343, 50600457, 50600458, 50600459

Models

For model fitment information, see the P&A retail catalog or the Parts and Accessories section of www.harley-davidson.com (English only).

⚠ WARNING

Rider and passenger safety depend upon the correct installation of this kit. If the procedure is not within your capabilities or you do not have the correct tools, have a Harley-Davidson dealer perform the installation. Improper installation of this kit could result in death or serious injury. (00308b)

Kit Contents

See Figure 1 and Table 1.

NOTE

A Service Manual for your motorcycle is available from any Harley-Davidson Dealer.

REMOVE

1. Remove previously installed brake pedal cover from vehicle.

INSTALL

1. Position **new** brake pedal cover (1) over brake pedal pad (2).

Large Brake Pedal

1. Align assembled brake pad (items 1, 2, 6) from kit.
2. Install brake pedal (5), washer (3) and screw (4) to cover (1). Tighten.
Torque: 26 N·m (19.2 ft-lbs)

Small Brake Pedal

1. Align **new** cover (1) and brake pedal pad (2).
2. Install brake pedal (5), washer (3) and screw (4) to cover (1). Tighten.
Torque: 2.5 N·m (22.1 in-lbs)

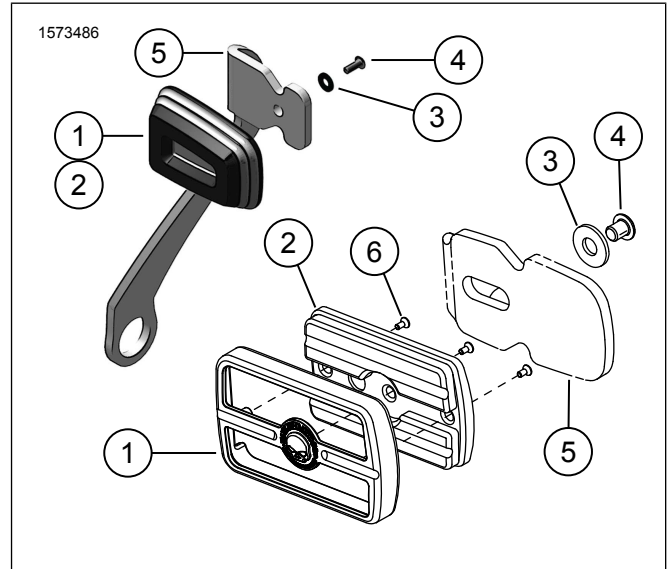


Figure 1. Service Parts

Table 1. Service Parts

Item	Description (Quantity)	Part Number
SMALL - Brake Pedal Pad		
1	Cover, brake pedal, chrome (Kit 42710-04) Cover, brake pedal, satin black (Kit 50600342) Cover, brake pedal, machine cut (Kit 50600457) Cover, brake pedal, black (Kit 50600458) Cover, brake pedal, chrome (Kit 50600459)	Not sold separately
2	Tread, Pad, brake pedal	Not sold separately
3	Washer, flat, offset	6716
4	Screw, hex socket, buttonhead	3026
5	Small brake pedal	
LARGE - Brake Pedal Pad		
1	Cover, brake pedal, chrome (Kit 42711-04) Cover, brake pedal, satin black (Kit 50600343)	Not sold separately
2	Tread, Pad, brake pedal	Not sold separately
3	Washer, flat, offset	6333
4	Screw, hex socket, buttonhead	3340
5	Large brake pedal	
6	Screw, flat head (3)	4277