



INSTRUCTIONS

J04307

2007-01-15



TOURING PASSENGER FOOTBOARD KIT

GENERAL

Kit Number

50379-07

Models

For model fitment information, please see the P&A Retail Catalog or Parts and Accessories section of www.harley-davidson.com (English only).

▲ WARNING

Rider and passenger safety depend upon the correct installation of this kit. If the procedure is not within your capabilities or you do not have the correct tools, have a Harley-Davidson dealer perform the installation. Improper installation of this kit could result in death or serious injury. (00308b)

Kit Contents

See Figure 1 and Table 1.

INSTALLATION

NOTE

Some paint removal from counterbore holes of footboard brackets may be necessary to ease the installation of the pivot pins.

Install Footboard Brackets

NOTE

Passenger footboards can be adjusted to one of three positions. To move footboards to a new position, remove plastic plugs from holes in rear swingarm bracket as necessary.

1. See Figure 1. Insert pin on footboard bracket into hole in rear swingarm bracket at the desired height.
2. With locating peg on bracket in the next lower hole, fasten footboard bracket (1) with screw (2) and lockwasher (3) from kit. Tighten screw to 47 ft-lbs (64 Nm).
3. Repeat for opposite side.

Install Footboards

1. See Figure 1. Place spring (4) into retaining hole in footboard bracket (1). Rest Delrin[®] ball (5) on top of spring.
2. Position footboard pad (6) onto footboard bracket in down position while being careful not to unseat the ball.
3. Press down on footboard assembly so holes align.
4. Insert pivot pins (7) through two mounting lugs on footboard bracket.
5. Place footboard pad so rubber inserts align with holes in footboard bottom (8).
6. Firmly press footboard pad so rubber inserts pass through holes and is secured in place.
7. Pivot footboard assembly up and down to ensure proper installation.
8. Repeat steps for opposite side.

SERVICE PARTS

is04335

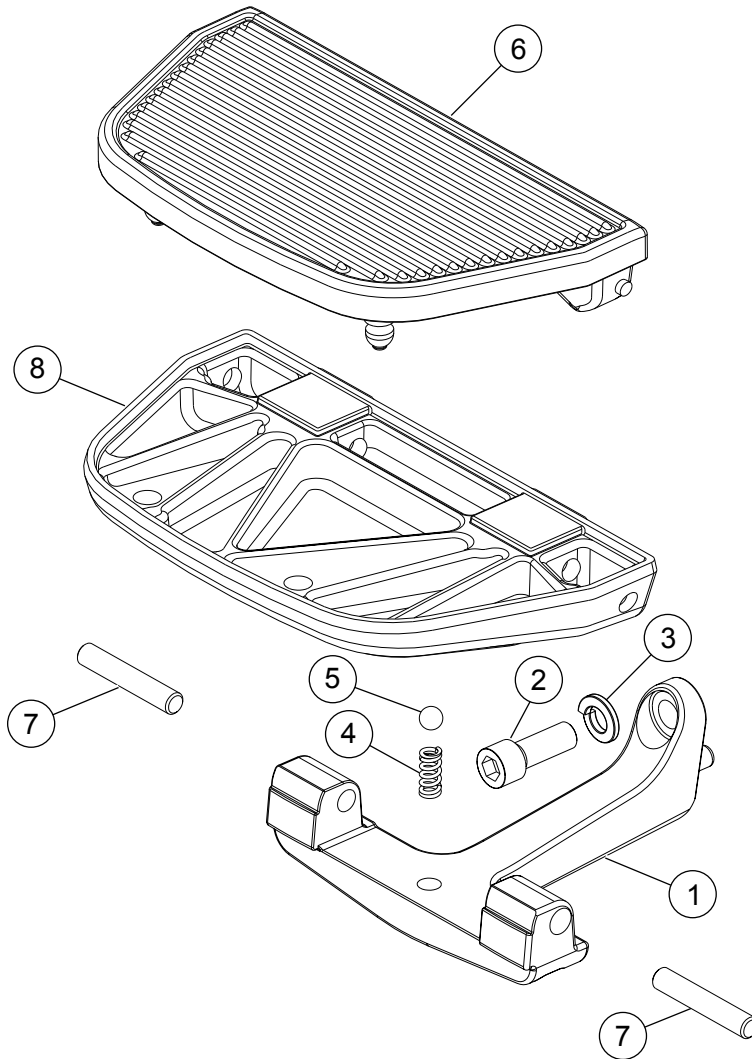


Figure 1. Service Parts: Touring Passenger Footboard Kit

Table 1. Service Parts Table

Item	Description (Quantity)	Part Number
1	Bracket, footboard (2)	52719-93B
2	Screw, socket head cap (2)	861A
3	Lockwasher (2)	7038
4	Spring (2)	33085-74
5	Ball, Delrin® (2)	8861
6	Footboard pad (2)	50606-06
7	Pivot pin (4)	Not Sold Separately
8	Footboard bottom (2)	50899-00A