



# INSTRUCTIONS

J06752

2021-08-03



## AXLE COVERS

Table 1. General Information

Kits	Suggested Tools	Skill Level <sup>(1)</sup>
43000188, 43000189, 43000214	Safety Glasses, Socket Wrench, Flathead Screwdriver	

(1) Only simple tools and techniques required

### KIT CONTENTS

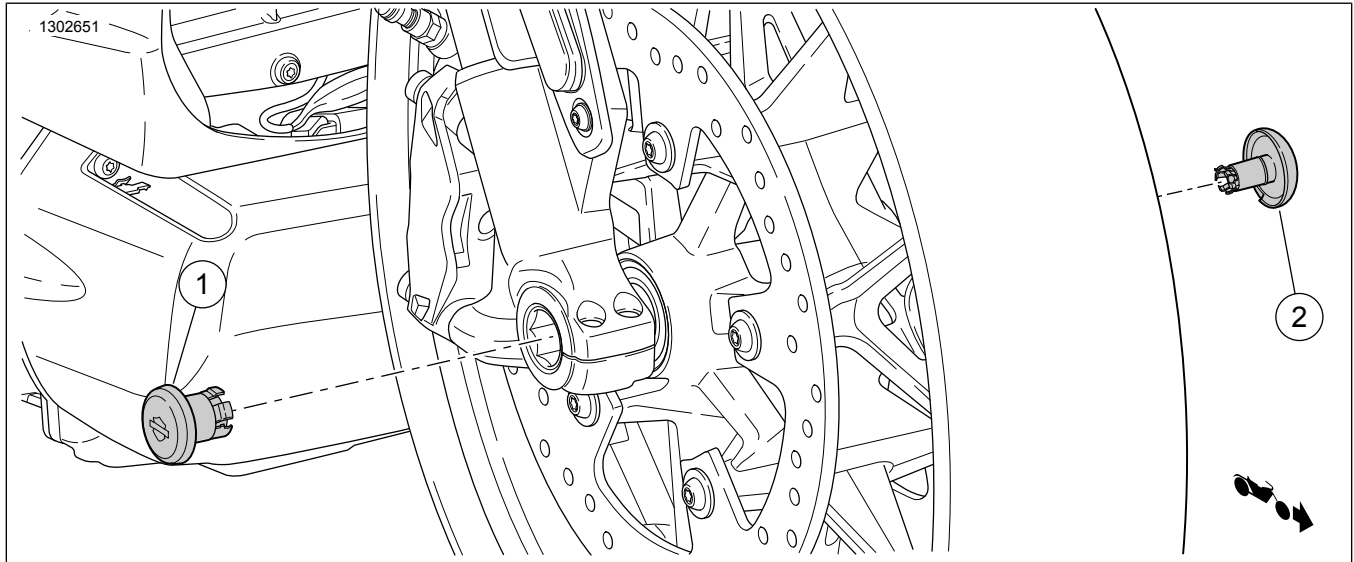


Figure 1. Kit Contents: Axle Covers

Table 2. Kit Contents: Axle Covers (Front shown)

<input checked="" type="checkbox"/>	Item	Qty	Description	Part No.	Notes
<input type="checkbox"/>	1	1	Axle cover, Large, (right side)	Not sold separately	
<input type="checkbox"/>	2	1	Axle cover, Small, (left side)	Not sold separately	
<input type="checkbox"/>	3	1	O-ring, (right side), not shown	11900162	ALL kits
<input type="checkbox"/>			O-ring, (left side), not shown	11900161	Kits 43000188, 43000189
<input type="checkbox"/>			O-ring, (left side), not shown	11900170	Kits 43000214

#### NOTE

Verify all contents are present in the kit before installing or removing items from vehicle.

### GENERAL

#### Models

For model fitment information, please see the P&A Retail Catalog or the Parts and Accessories section of [www.harley-davidson.com](http://www.harley-davidson.com) (English only).

Ensure you are using the most current version of the instruction sheet which is available at: [www.harley-davidson.com/isheets](http://www.harley-davidson.com/isheets)

Contact Harley-Davidson Customer Support Center at 1-800-258-2464 (U.S. only) or 1-414-343-4056.

## Installation Requirements

### ⚠ WARNING

Rider and passenger safety depend upon the correct installation of this kit. If the procedure is not within your capabilities or you do not have the correct tools, have a Harley-Davidson dealer perform the installation. Improper installation of this kit could result in death or serious injury. (00308b)

## REMOVE

1. Figure 1 Open Original Equipment (OE) axle covers (1,2).
  - a. Place edge of screwdriver into notch located at the bottom of cover.
  - b. Gently pry outward to remove.

## INSTALL

### Kits 43000188 & 43000189

1. Figure 1 Install **new** right (hex) side axle cover (1).
  - a. Using socket wrench, loosely tighten hex nut until spring clip cannot free-spin.
  - b. Align spring clip to axle.
  - c. Gently press clip against axle and rotate to align bar and shield.
  - d. Once aligned, remove cover and fully tighten hex nut to secure spring clip.
  - e. Install cover by aligning spring clip with internal hex of axle.
  - f. Press firmly until cover is fully installed.
2. Figure 1 Install **new** left (circular) side axle cover (2).
  - a. Align spring clip to axle.
  - b. Rotate to align bar and shield.
  - c. Press firmly until cover is fully installed.

### Kit 43000214

1. Figure 1 Install **new** right (hex) side axle cover (1).
  - a. Align spring clip to axle.
  - b. Install cover by aligning spring clip with internal hex of axle.
  - c. Press firmly until cover is fully installed.

2. Figure 1 Install **new** left (circular) side axle cover (2).

- a. Align spring clip to axle.
- b. Press firmly until cover is fully installed.