



INSTRUCTIONS

J06749

2021-01-19



BRAKE RESERVOIR COVER

Table 1. General Information

Kits	Suggested Tools	Skill Level ⁽¹⁾	Time
61301075	Safety Glasses, Torque Wrench		30 minutes

(1) Tightening to torque value or other moderate tools and techniques required

KIT CONTENTS

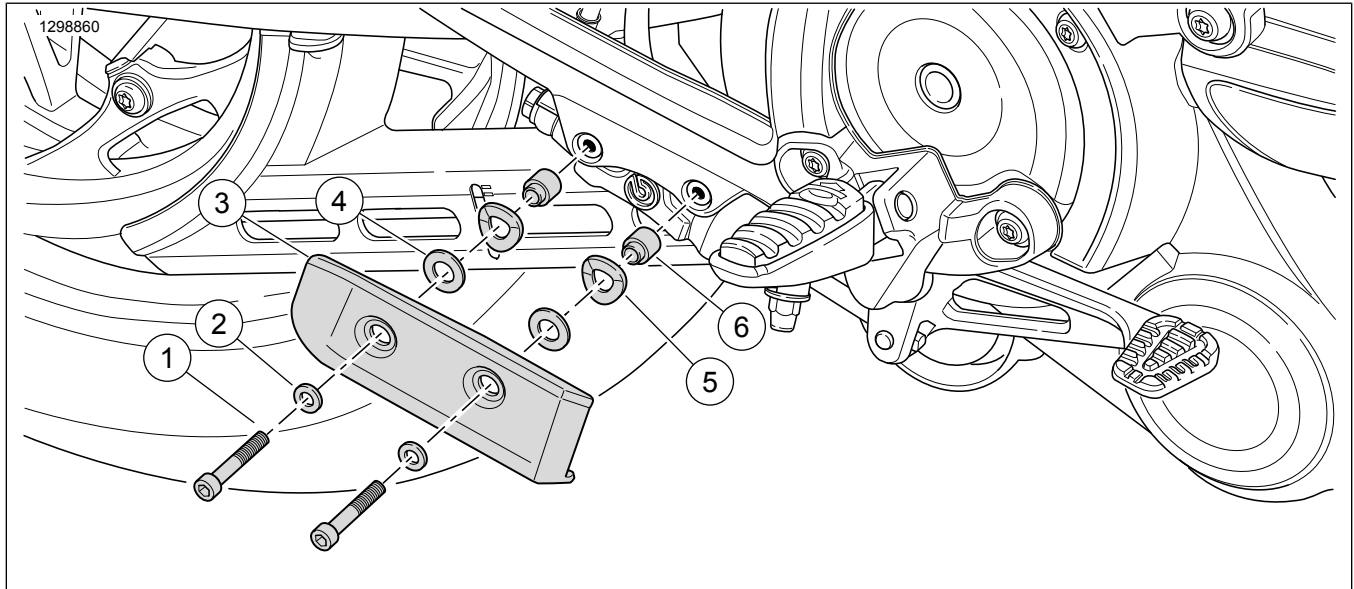


Figure 1. Kit Contents: Rear Brake Reservoir Cover Components

Table 2. Kit Contents: Rear Brake Reservoir Cover Components

<input checked="" type="checkbox"/>	Item	Qty	Description	Part No.	Notes
<input type="checkbox"/>	1	2	Screw	10200425	
<input type="checkbox"/>	2	2	Washer	10300194	
<input type="checkbox"/>	3	1	Cover	Not sold separately	
<input type="checkbox"/>	4	2	Washer, flat	6701	
<input type="checkbox"/>	5	2	Washer, spring	10600061	
<input type="checkbox"/>	6	2	Spacer, cover	61301120	

NOTE

Verify all contents are present in the kit before installing or removing items from vehicle.

GENERAL

Models

For model fitment information, please see the P&A Retail Catalog or the Parts and Accessories section of www.harley-davidson.com (English only).

Ensure you are using the most current version of the instruction sheet which is available at: www.harley-davidson.com/isheets

Contact Harley-Davidson Customer Support Center at 1-800-258-2464 (U.S. only) or 1-414-343-4056.

Installation Requirements

⚠ WARNING

Rider and passenger safety depend upon the correct installation of this kit. If the procedure is not within your capabilities or you do not have the correct tools, have a Harley-Davidson dealer perform the installation. Improper installation of this kit could result in death or serious injury. (00308b)

REMOVE

1. See Figure 2. Remove Original Equipment (OE) screws (1) from rear brake cylinder.

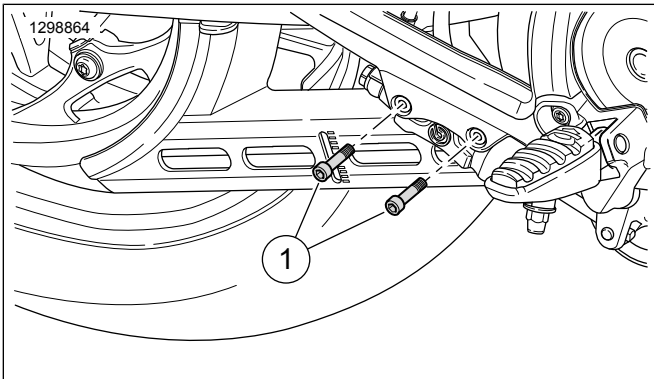


Figure 2. OE Screw Removal from Rear Brake Cylinder

INSTALL

NOTE

Verify spacers (61301120) are aligned with holes in carbon fiber trim prior to tightening screws (10200892).

1. See Figure 1. Install assembled cover to rear brake cylinder using **new** screws (1). Tighten.
Torque: 8–10 N·m (71–89 in-lbs)