



INSTRUCTIONS

J02944

2007-03-21



XL DETACHABLE SOLO RACK

GENERAL

Kit Number

53494-04 - Chrome

53512-07 - Gloss Black

Models

For model fitment information, please see the P&A Retail Catalog or the Parts and Accessories section of www.harley-davidson.com (English only).

Additional Parts Required

Appropriate docking hardware must be installed prior to installation of the rack. For docking kit part numbers, see your local Harley-Davidson dealer, www.harley-davidson.com or your Harley-Davidson Genuine Motor Accessory Catalog.

NOTE

A Service Manual for your model motorcycle is available from your Harley Davidson Dealer.

⚠ WARNING

Rider and passenger safety depend upon the correct installation of this kit. If the procedure is not within your capabilities or you do not have the correct tools, have a Harley-Davidson dealer perform the installation. Improper installation of this kit could result in death or serious injury. (00308b)

⚠ WARNING

Do not exceed luggage rack weight capacity. Too much weight can cause loss of control, which could result in death or serious injury. (00373a)

NOTE

Maximum luggage rack weight capacity is 4.5 kg (10 lb).

Kit Contents

See Figure 2 and Table 1.

There are no Service Parts available with this kit.

INSTALLATION

1. See Figure 2. While standing behind the motorcycle, place the front rack notches (1) into the front docking points (2).

NOTE

Check alignment as shown in Figure 1. Failure to properly align the docking points and sideplates may result in damage to the rear docking points.

2. Pull the rotary latches (3) back into their rearmost position. Position the rear rotary latches over the rear docking points (6), ensuring the latches and sideplates (4) fit into the neck (5) of the rear docking points. This may require some gentle squeezing or spreading of the sideplates.

NOTE

The front and rear docking points must be fully engaged. If docking points are not fully engaged or docking kit is loose, it could shift position or come loose during operation.

3. Push down and close the rotary latches by pressing the latch lever (7) as far forward as it will go. You will hear a click when the latch is in place. If the latch does not easily close, do not force. Recheck alignment as described in Step 2.

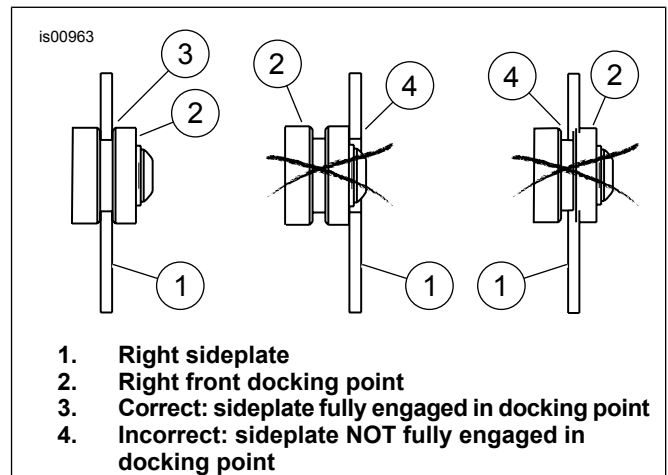


Figure 1. Sideplate Must Fit into Docking Point Correctly

REMOVAL

1. See Figure 2. To remove the rack, press the release button (8), and pull the rotary latch lever back. Carefully lift the rear of the rack up and pull the rack out of the front docking points.



SERVICE PARTS

is04573

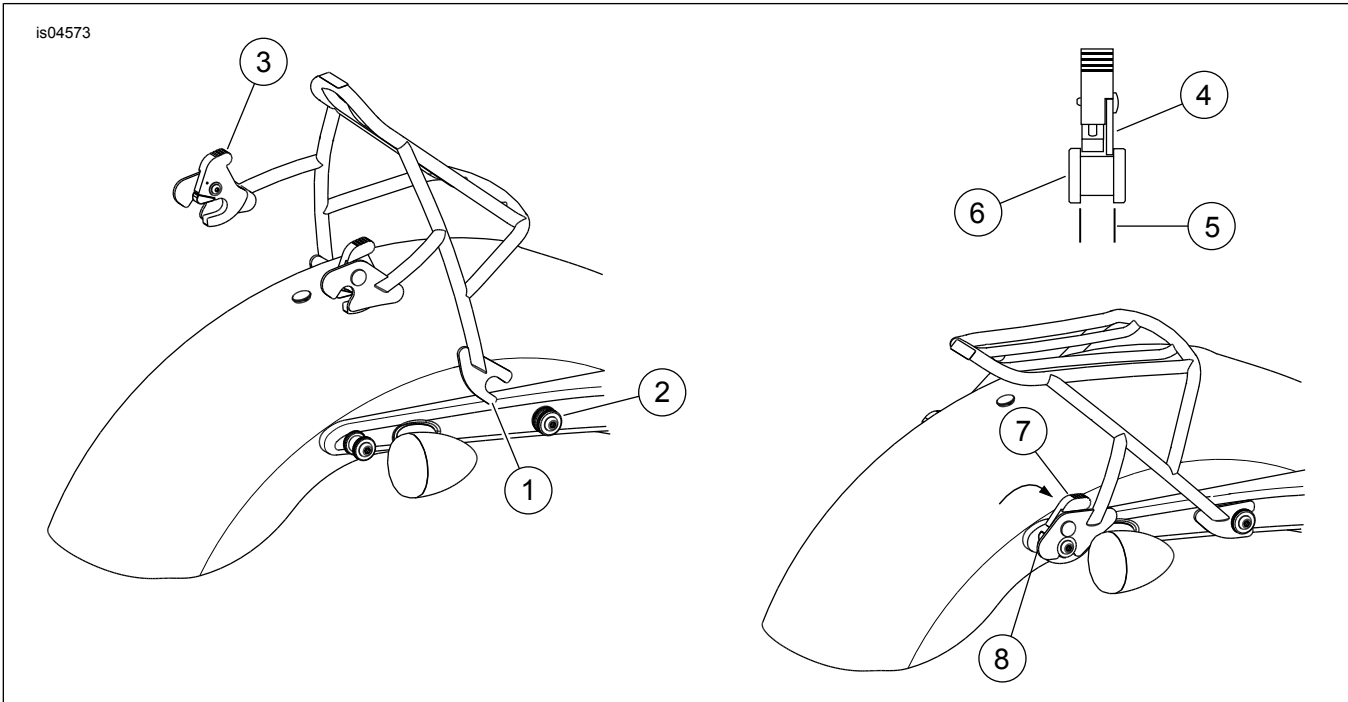


Figure 2. Service Parts: XL Detachable Solo Rack

Table 1. Service Parts Table

Item	Description (Quantity)	Part Number
1	Front rack notches	Reference only
2	Front docking points	Reference only
3	Rotary latch, open	Reference only
4	Sideplate	Reference only
5	Neck	Reference only
6	Rear docking point	Reference only
7	Rotary latch, closed	Reference only
8	Release button	Reference only