



INSTRUCTIONS

J06617

2021-08-02



COIL COVER

GENERAL

Kit Numbers

57300213, 57300214, 57300289

Models

For model fitment information, see the P&A retail catalog or the Parts and Accessories section of www.harley-davidson.com (English only).

Kit Contents

See Figure 1 and Table 1.

⚠ WARNING

Rider and passenger safety depend upon the correct installation of this kit. If the procedure is not within your capabilities or you do not have the correct tools, have a Harley-Davidson dealer perform the installation. Improper installation of this kit could result in death or serious injury. (00308b)

INSTALLATION

1. Remove main fuse. See owner's manual.
2. Remove Original Equipment (OE) coil mounting screw. Discard.
3. Install coil cover over coil.
 - a. **Kits: 57300213, 57300214.** Screw (1) and coil cover (2).
 - b. **Kits: 57300289.** Screw (1), washer (4), coil cover (2) and spacer (3).
4. Tighten screw (1).
 - a. **Kits: 57300213, 57300214.**
Torque: 14.9–18.9 N·m (11–14 ft-lbs)
 - b. **Kits: 57300289.**
Torque: 14.9–16.3 N·m (11–12 ft-lbs)

Service Parts

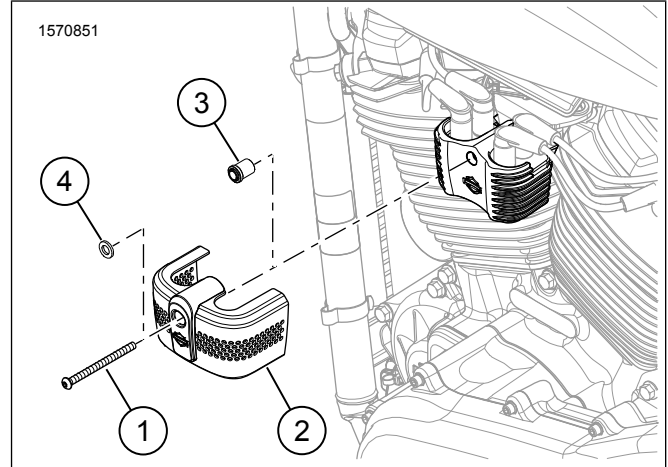


Figure 1. Service Parts

Table 1. Service Parts

Kit	Item	Description (Quantity)	Part No.
57300213	1	Screw, chrome	10200731
	2	Coil cover	Not sold separately
57300214	1	Screw, black	10200730
	2	Coil cover	Not sold separately
57300289	1	Screw, zinc plated	10201184
	2	Coil cover	Not sold separately
	3	Spacer	12400199
	4	Washer	10300130