



# INSTRUCTIONS

94100077

2022-02-22



## ADVERSARY END CAP - HAND GRIP

### GENERAL INFORMATION

Table 1. General Information

Kits	Suggested Tools	Skill Level <sup>(1)</sup>	Time
55900246, 55900247, 55900248	Safety Glasses, Torque Wrench		5 minutes
<i>(1) Tightening to torque value or other moderate tools and techniques required</i>			

### KIT CONTENT

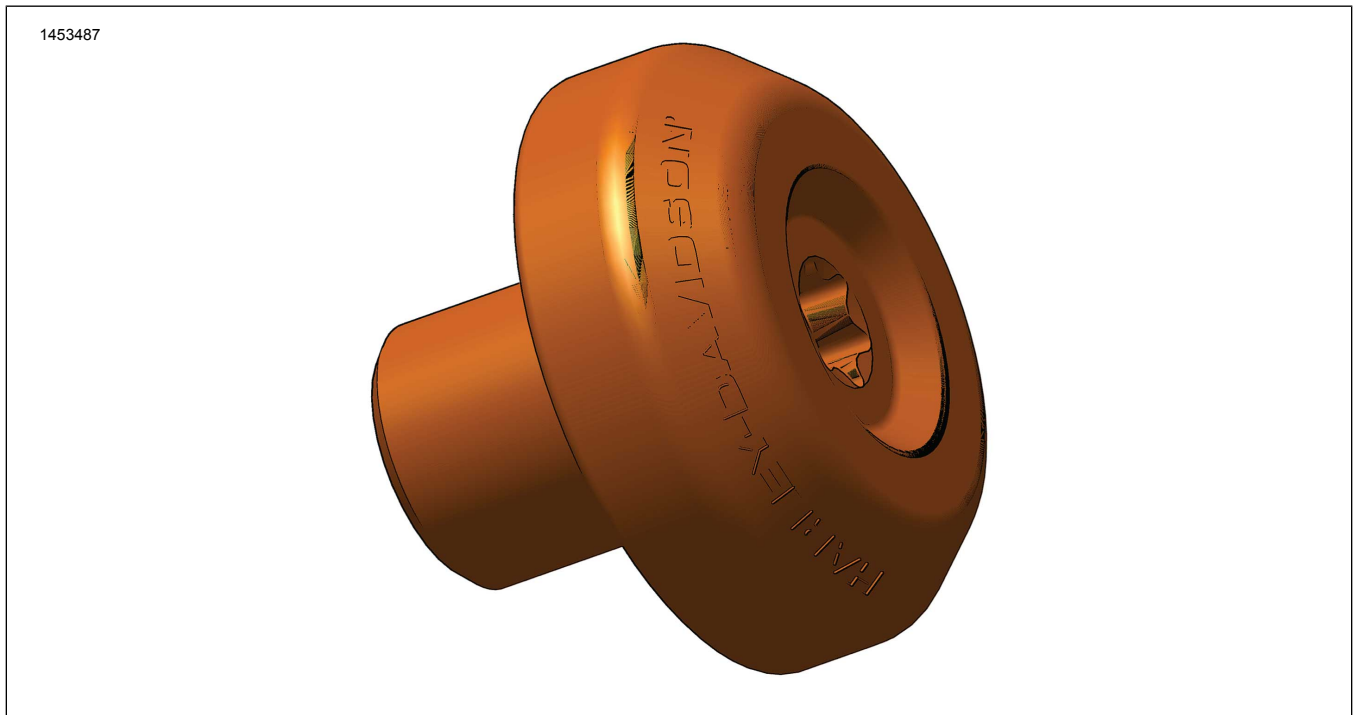


Figure 1. Kit Contents: Hand Grip End Cap

Table 2. Kit Contents: Hand Grip End Cap Kit

Verify that all contents are present in the kit before installing or removing items from vehicle.					
<input checked="" type="checkbox"/>	Item	Qty	Description	Part No.	Notes
<input type="checkbox"/>		1	Hand grip end cap - Black	55900246	14–20 N·m (10–15 ft-lbs)
<input type="checkbox"/>			Hand grip end cap - Orange	55900247	
<input type="checkbox"/>			Hand grip end cap - Gray	55900248	

### GENERAL

Contact Harley-Davidson Customer Support Center at 1-800-258-2464 (U.S. only) or 1-414-343-4056.

### Models

For model fitment information, see the Parts and Accessories (P&A) Retail Catalog or the Parts and Accessories section of [www.harley-davidson.com](http://www.harley-davidson.com).

Verify that the most current version of the instruction sheet is used. It is available at: [h-d.com/isheets](http://h-d.com/isheets)

## Installation Requirements

### ⚠ WARNING

Rider and passenger safety depend upon the correct installation of this kit. If the procedure is not within your capabilities or you do not have the correct tools, have a Harley-Davidson dealer perform the installation. Improper installation of this kit could result in death or serious injury. (00308b)

## REMOVE

1. Figure 2 Remove Original Equipment (OE) hand grip end cap.

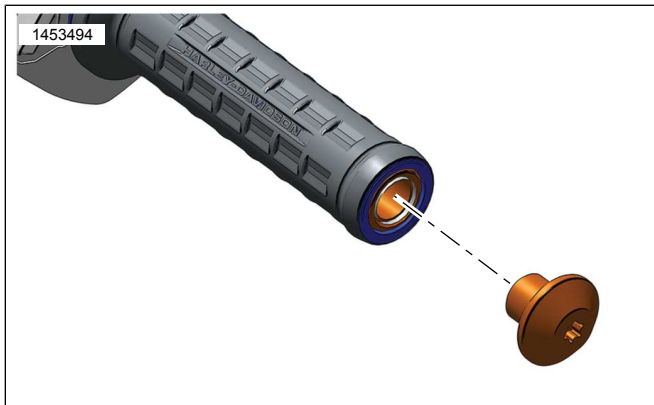


Figure 2. End Cap

## INSTALL

1. Install end cap. Tighten.  
Torque: 14–20 N·m (10–15 ft-lbs)